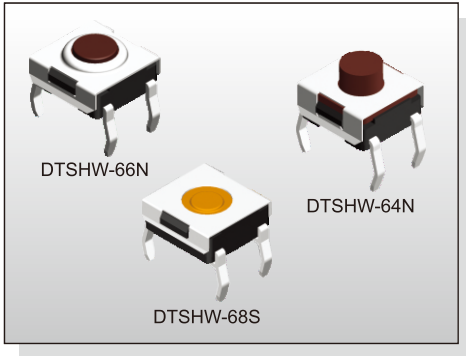


# TACT SWITCH DTSHW-6 SERIES

6x6 Through Hole  
Washable Type



## FEATURES

- ※Sealed
- ※Snap in type
- ※Dust proof with high reliability

## APPLICATION

- ※Audio, OA equipment
- ※Instrumentation, Communication
- ※White goods

## SPECIFICATION

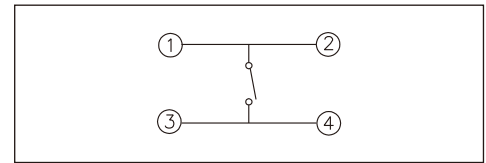
Contact Rating	50mA, 12V DC
Contact Resistance	100mΩ max.
Insulation Resistance	100MΩ min. 500V DC
Dielectric Strength	250V AC/1 minute
Operating Force	160±50gf, Brown(N) 66/677 160±50gf, Silver(S) 68 180±50gf, Brown(N) 69/67/65/64 260±70gf, Red(R) 69/67/66/65/64 360±90gf, Transparent(T) 69/67/65/677
Travel	0.25mm 68S/66N/66R/677 0.45mm(69/67N,R)(65/64N,R,T) 0.6mm 69/67T
Operating Life	100,000 cycles min. for 66/68/677 500,000 cycles min. for 69/67/65/64
Operating Temp.	-25°C ~ +70°C
Storage Temp.	-30°C ~ +80°C

## HOW TO ORDER

**DTSHW-6** □ □ - □ - **B**

- Through Hole
- Washable
- Package: Tube
- V=RoHS & Lead Free Solderable
- Q=Halogen Free
- Dimension H:
  - 4=4.50mm (N, R)
  - 5=3.50mm (N, R, T)
  - 6=3.10mm (N, R)
  - 7=5.20mm (N, R, T)
  - 77=7.30mm (N, T)
  - 8=2.30mm (S)
  - 9=3.80mm (N, R, T)
- Operating Force:
  - N=Brown, 160gf(66N, 677N)
  - 180gf(69N, 67N, 65N, 64N)
  - S=Silver, 160gf(68S)
  - R=Red, 260gf(69R, 67R, 66R, 65R, 64R)
  - T=Transparent, 360gf(69T, 67T, 65T, 677T)

## CIRCUIT

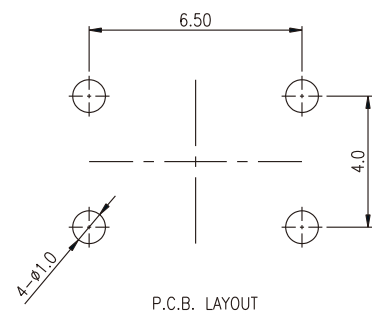
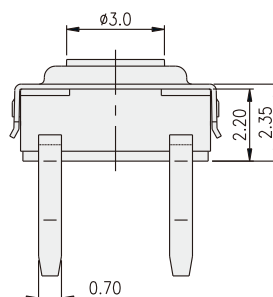
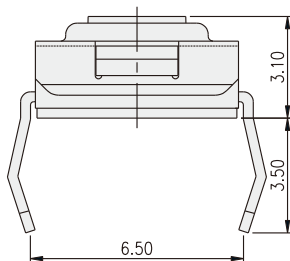
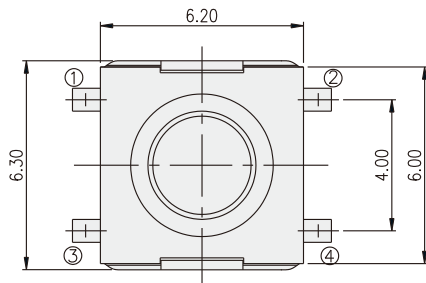


## PACKAGE

<Tube>  
75 pcs

TACT SWITCH

## DTSHW-66

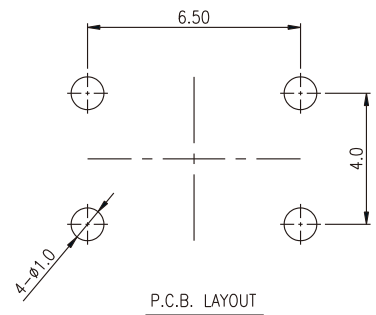
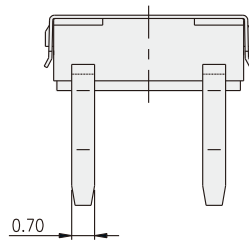
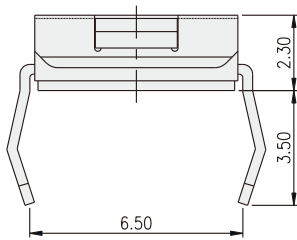
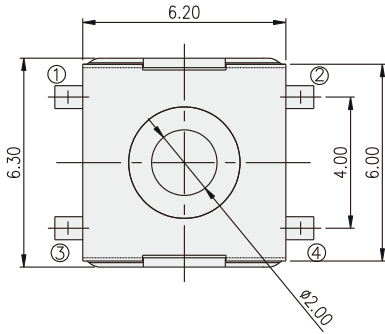


TACT SWITCH  
**DTSHW-6** SERIES

6x6 Through Hole  
 Washable Type

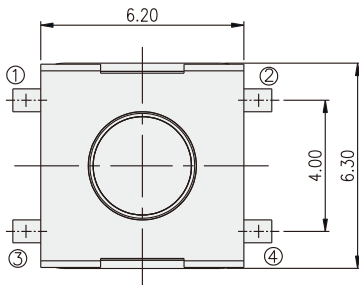


DTSHW-68



TACT SWITCH

DTSHW-6□



PART NO.	H
DTSHW-64	4.50
DTSHW-65	3.50
DTSHW-67	5.20
DTSHW-69	3.80
DTSHW-677	7.30

