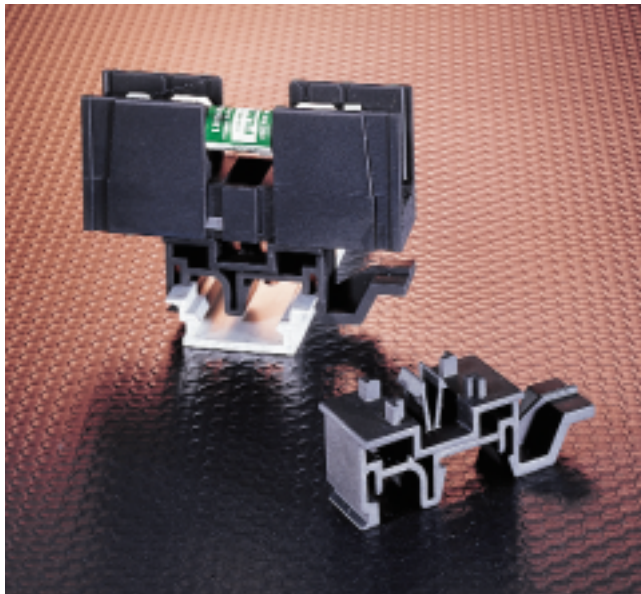


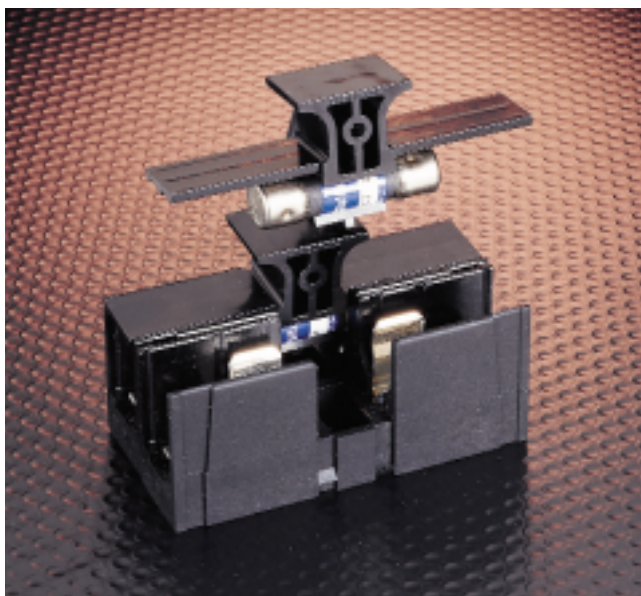
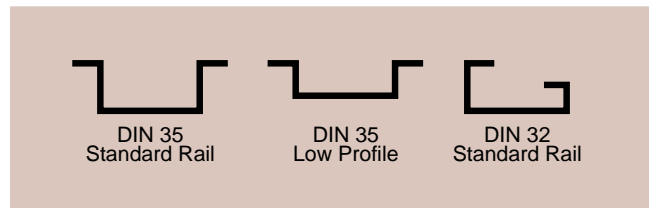
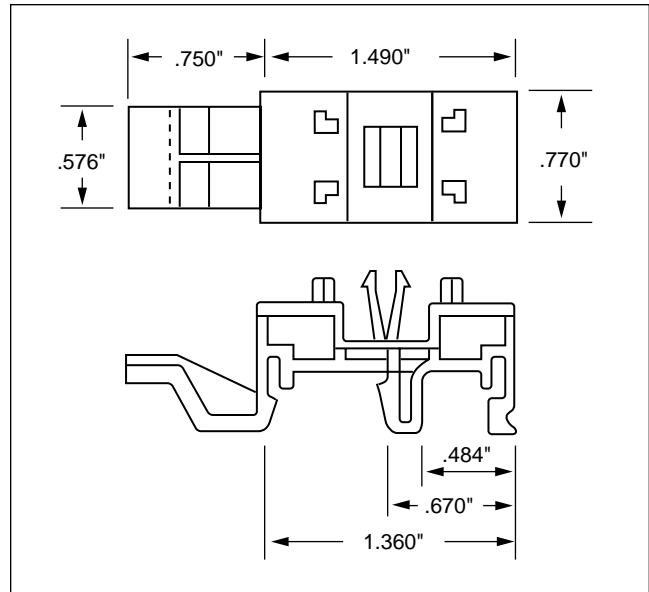
# Class CC and Midget Fuse Block Accessories

DIN Rail Adapters and Cover Pullers



## DIN Rail Adapter — FBDIN1

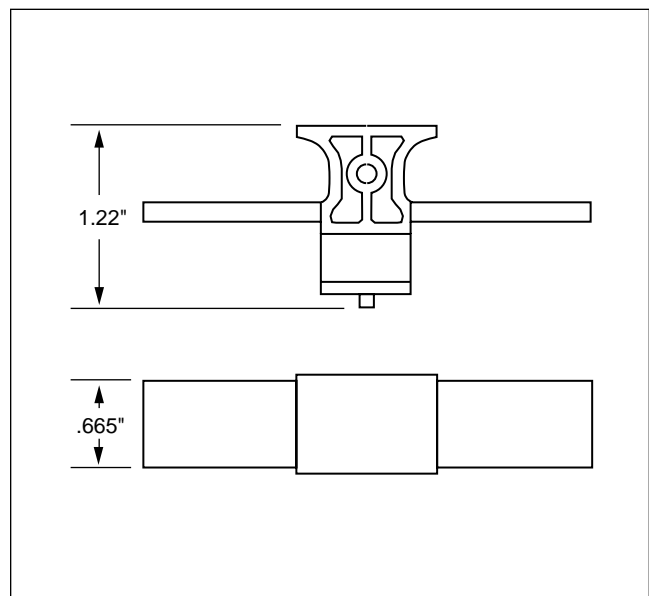
FBDIN1 is for use with 30A Midget, Class CC and Class G fuse blocks. The patented design permits snap-mounting of Littelfuse Class CC and Midget 30A fuse blocks directly to standard and low profile 35mm symmetrical "hat" and 32mm asymmetrical DIN rails. Adapters snap securely to Littelfuse fuse blocks and to DIN rails without tools. They may be readily removed from rails by lifting the disconnect tab.



## Cover Puller — SPL001

Littelfuse's Class CC and Midget fuse cover puller is designed to provide protection to personnel, as well as make removal of fuses from fuse blocks easy and safe. Once installed on the fuse, the cover puller allows removal of the fuse without the use of a separate puller.

- Meets "Dead Front" requirements for use in control panels.
- Permits safe, easy removal.



- Works with existing fuse block. No special hinged fuse blocks are required.
- Easily gangable with 1/8" diameter wire.
- For use with all 600 volt Class CC and Midget 1/10 — 30A fuses.
- Use with Class CC L60030C series and L60030M series fuse blocks.
- Label provided for easy fuse identification.