

1452158-1 ✓ ACTIVE

AMP | MQS

TE Internal #: 1452158-1

Automotive Terminals, Receptacle, Mating Tab Width 1.5 mm [.059 in], Tab Thickness .63 mm [.024 in], 22 – 20 AWG Wire Size, MQS

[View on TE.com >](#)



Terminals & Splices > Automotive Terminals > MQS, RECEPTACLE AND TAB



Terminal Type: **Receptacle**

Mating Tab Width: **1.5 mm [.059 in]**

Mating Tab Thickness: **.63 mm [.024 in]**

Terminal Transmits: **0 – 24 A (Low Power)**

Wire Size: **22 – 20 AWG**

[All MQS, RECEPTACLE AND TAB \(108\)](#)

Features

Product Type Features

Receptacle Style	180°
Sealable	No
Primary Locking Feature	Clean Body

Contact Features

Contact Size	1.5mm
Contact Fabrication	Stamped & Formed
Wire Contact Termination Area Plating Material	Tin
Typical Current Rating	7.5 A
Crimp Type	F-Crimp
Terminal Type	Receptacle
Mating Tab Width	1.5 mm[.059 in]
Mating Tab Thickness	.63 mm[.024 in]
Interface Plating	Tin (Sn)

Termination Features

Termination Method to Wire & Cable	Crimp
Product Terminates To	Wire



Dimensions

Compatible Insulation Diameter Range	1.1 – 1.6 mm [.043 – .062 in]
Wire Size	.35 – .5 mm ²
Wire Size Search	20 AWG, 21 AWG, 22 AWG

Usage Conditions

Insulation Option	Uninsulated
Operating Temperature (Max)	80 °C, 85 °C, 90 °C, 100 °C, 105 °C, 110 °C, 120 °C [176 °F][185 °F][194 °F][212 °F][221 °F][230 °F][248 °F]
Operating Temperature Range	-40 – 120 °C [-40 – 248 °F]

Operation/Application

Compatible With Wire Base Material	Copper
------------------------------------	--------

Packaging Features

Packaging Quantity	12000
Packaging Method	Reel

Other

Terminal Transmits	0 – 24 A (Low Power)
--------------------	----------------------

Product Compliance

[For compliance documentation, visit the product page on TE.com>](#)

EU RoHS Directive 2011/65/EU	Compliant
EU ELV Directive 2000/53/EC	Compliant
China RoHS 2 Directive MIIT Order No 32, 2016	No Restricted Materials Above Threshold
EU REACH Regulation (EC) No. 1907/2006	Current ECHA Candidate List: JUNE 2023 (235) Candidate List Declared Against: JUNE 2023 (235) Does not contain REACH SVHC
Halogen Content	Low Halogen - Br, Cl, F, I < 900 ppm per homogenous material. Also BFR/CFR/PVC Free
Solder Process Capability	Not applicable for solder process capability

Product Compliance Disclaimer

This information is provided based on reasonable inquiry of our suppliers and represents our current actual knowledge based on the information they provided. This information is subject to change. The part numbers that TE has identified as EU RoHS compliant have a maximum concentration of 0.1% by weight in homogenous materials for lead, hexavalent

chromium, mercury, PBB, PBDE, DBP, BBP, DEHP, DIBP, and 0.01% for cadmium, or qualify for an exemption to these limits as defined in the Annexes of Directive 2011/65/EU (RoHS2). Finished electrical and electronic equipment products will be CE marked as required by Directive 2011/65/EU. Components may not be CE marked. Additionally, the part numbers that TE has identified as EU ELV compliant have a maximum concentration of 0.1% by weight in homogenous materials for lead, hexavalent chromium, and mercury, and 0.01% for cadmium, or qualify for an exemption to these limits as defined in the Annexes of Directive 2000/53/EC (ELV). Regarding the REACH Regulation, the information TE provides on SVHC in articles for this part number is based on the latest European Chemicals Agency (ECHA) 'Guidance on requirements for substances in articles' posted at this URL: <https://echa.europa.eu/guidance-documents/guidance-on-reach>

Compatible Parts



TE Part # CAT-M8793-CH8172
MQS, CONNECTOR HOUSING



TE Part # 6-1579007-0
EXTRACTION TOOL



TE Part # 1-1579018-4
EXTRACTION TOOL



TE Part # 2151252-1
OCEAN_2.0_APPLICATOR-S-055F0800



TE Part # 2151252-2
OCEAN_2.0_APPLICATOR-S-055F0800



TE Part # 2305570-1
Strip Terminal Cutter-Side Feed-No Crimp



TE Part # 7-2151252-1
OCEAN_2.0_APPLICATOR-S-055F0800



TE Part # 7-2151252-2
OCEAN_2.0_APPLICATOR-S-055F0800



KIT
REPRESENTATION ONLY

TE Part # 7-2151252-7
OCEAN_2.0_SPARE_PART_KIT-055F0800

Also in the Series | MQS




Automotive Connector Caps & Covers (111)



Automotive Connector EMC Shielding (3)



Automotive Connector Locks & Position Assurance(27)



Automotive Housings(375)



Automotive Terminals(89)



Connector Seals & Cavity Plugs(26)



Insertion & Extraction Tools(42)

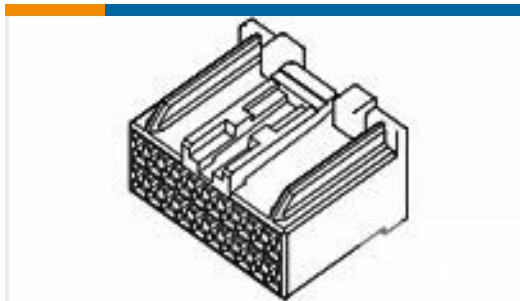


Other Automotive Connector Accessories(7)



PCB Headers & Receptacles(143)

Customers Also Bought



TE Part #179057-6
040 MLC MK-2 PLUG ASSY 20P



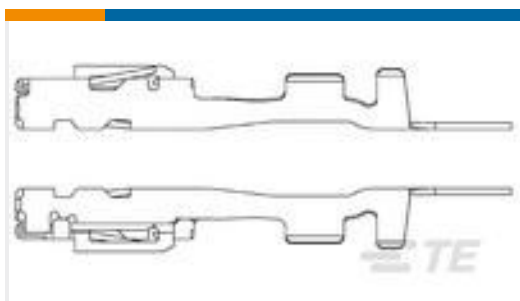
TE Part #1241406-1
AMP MCP 6.3/4.8K, CONTACT



TE Part #1241608-1
MQS1,5 Sn rec CB unseal. 0,75-1,5



TE Part #1-927772-1
TIMER, RECEPTACLE AND TAB



TE Part #1801069-2
025 RECEPTACLE CONTACT



TE Part #1544551-1
CONNECTOR 5V 6.35



TE Part #1-2112778-3
58POS, MIXED,REC HSG,1452415, ASSY,SEALED



TE Part #537637P043
SCT-NO.3-E3-0-30MM



TE Part #1952074-2
.250 SRS, RECP HSG, 2P WITH SE

Documents



Product Drawings

[MQS1,5 Sn rec CB unseal. 0,35-0,5](#)

English

[MQS1,5 Sn rec CB unseal. 0,35-0,5](#)

English

CAD Files

Customer View Model

[ENG_CVM_1452158-1_C.3d_igs.zip](#)

English

Customer View Model

[ENG_CVM_1452158-1_C.3d_stp.zip](#)

English

Customer View Model

[ENG_CVM_1452158-1_C.2d_dxf.zip](#)

English

[3D PDF](#)

English

By downloading the CAD file I accept and agree to the [Terms and Conditions](#) of use.

Datasheets & Catalog Pages

[Micro Quadlok Interconnection System \(MQS\)](#)

English

Product Specifications

[Application Specification](#)

English

[Application Specification](#)

English