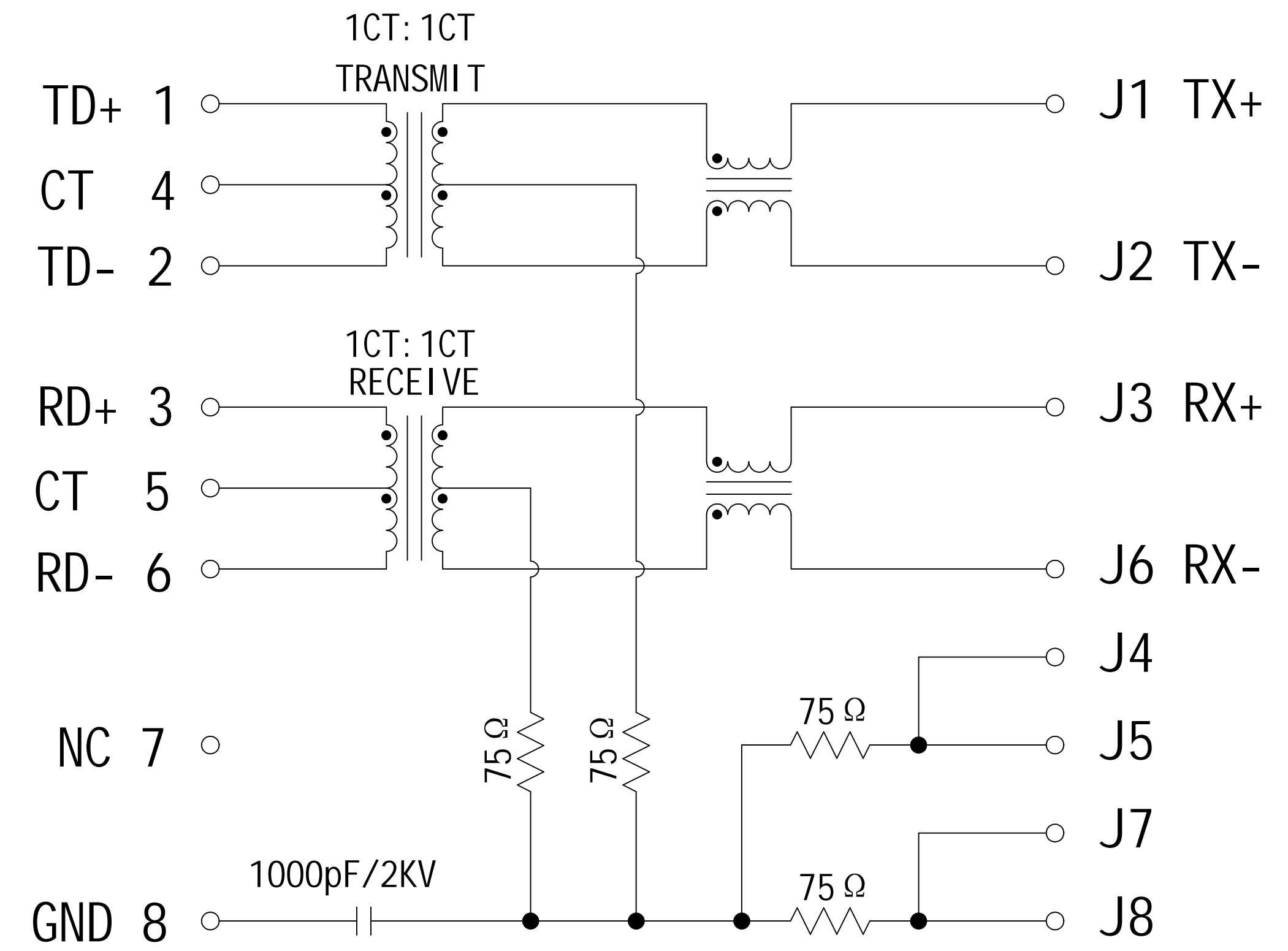


Schematic:

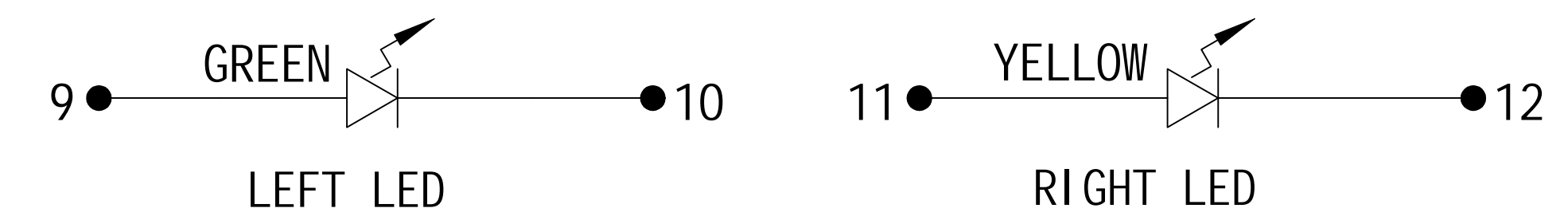
REV.	ECN NO.	DESCRIPTION	DATE	APPD
A	REL		2013-12-27	

PCB SIDE



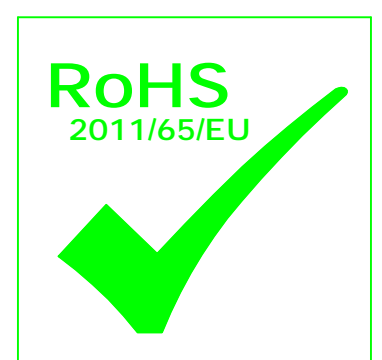
CABLE SIDE

- ELECTRICAL SPECIFICATIONS @25°C
- Turn Ratio: 1CT:1CT ±5%
  - OCL: 350uH Min @100KHz, 0.1V, 8mA DC Bias
  - Insertion Loss (dB Max):  
1-100MHz: -1.2
  - Return Loss(dB Min):  
1-30MHz: -16                      30-60MHz: -12  
60-80MHz: -10                     80-100MHz: -8
  - Cross Talk(dB Min):  
1-100MHz: -30
  - Common Mode Rejection(dB Min):  
1-100MHz: -30
  - Isolation PHY SIDE To Line SIDE : 1500Vrms
  - Operating Temperature Range: -40°C ~ +85°C.



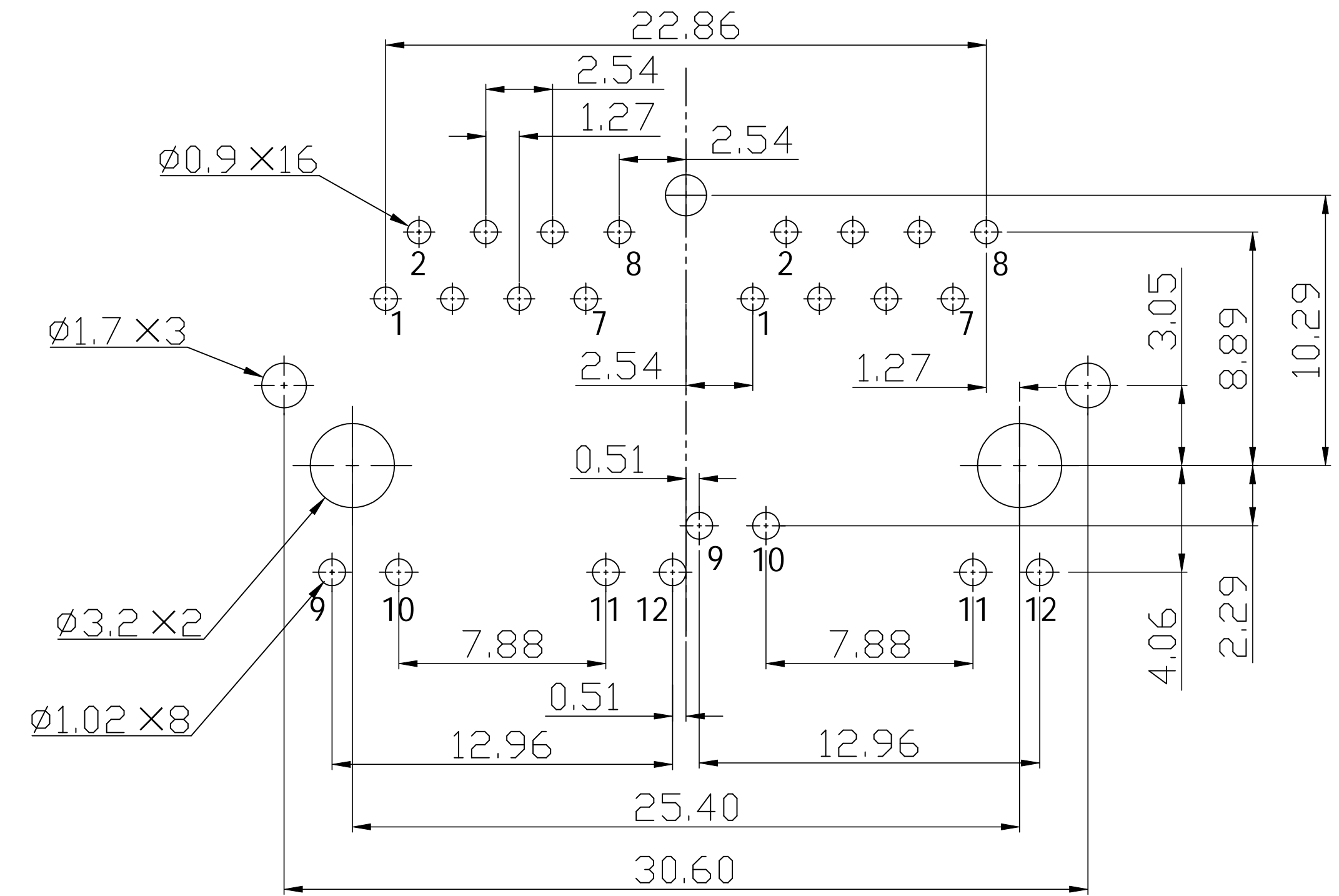
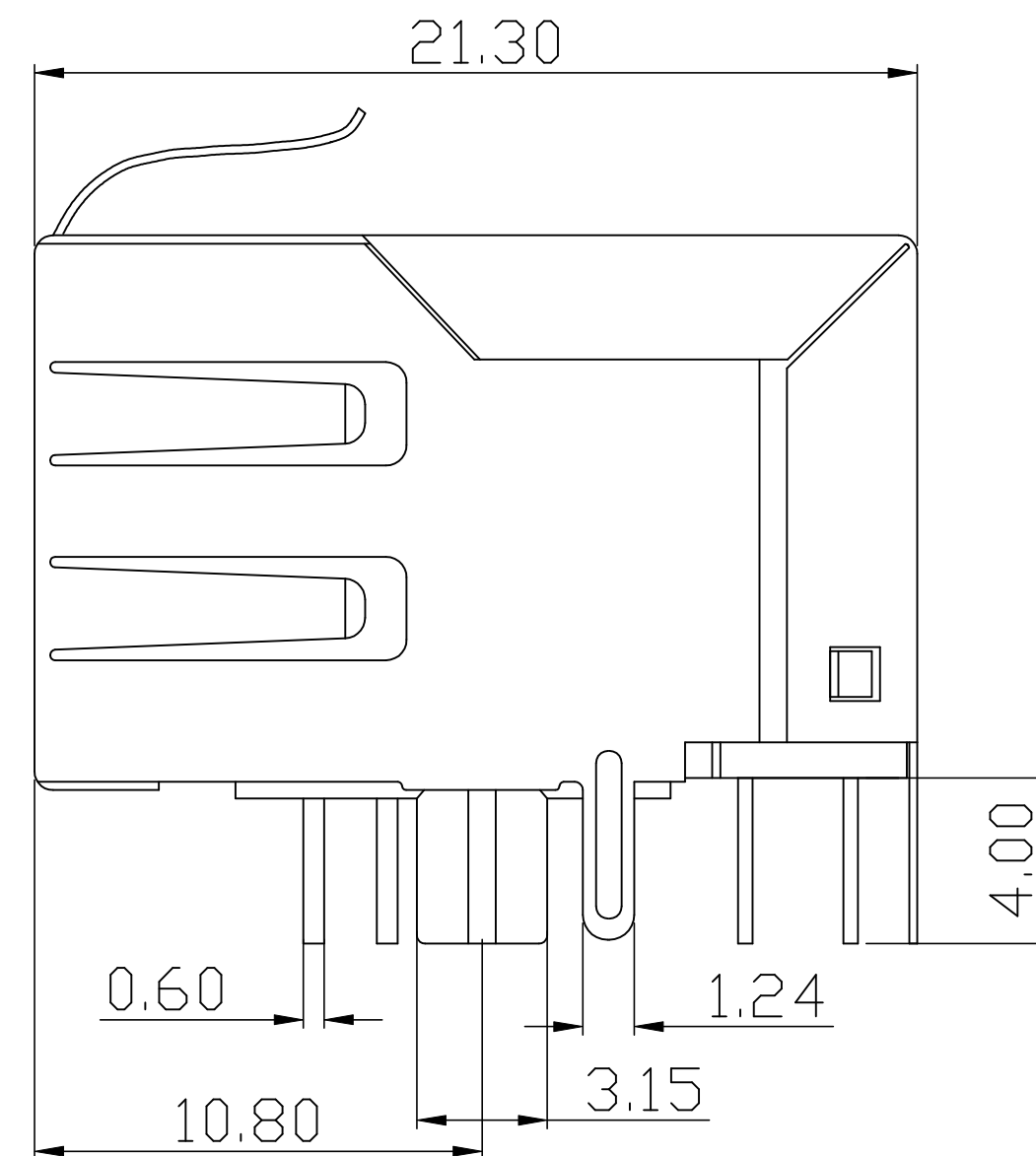
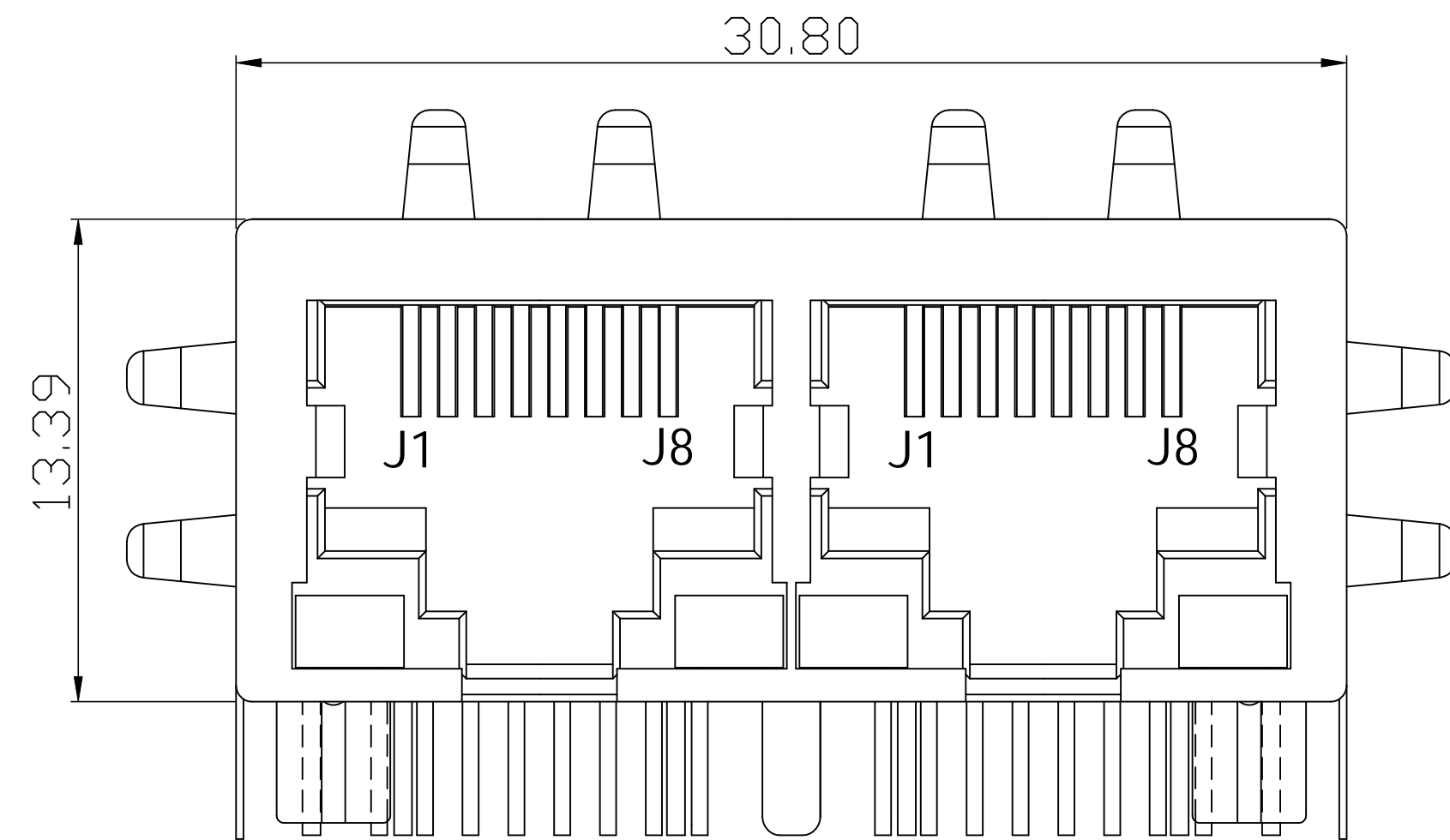
EMITTING COLOR	λ p(nm)	VF @IF=20mA	IR @VR=5V
GREEN	565	1.8~2.6V	10 μ A max
YELLOW	585	1.8~2.6V	10 μ A max

X.X	±0.30	APPD: TOM	LINK-PP INT'L TECHNOLOGY CO., LIMITED	
X.XX	±0.25	CHKD: JAMES	TITLE:	
X.XXX	±0.15	DR: LEO	RJ45 1X2 CONNECTOR WITH 10/100 BASE-T INTEGRATED MAGNETICS & WITH EMI SPRING FINGER & WITH LED	
ANGLES	±1°	UNIT: mm	PART NO.: LPJ26404AENL	
		SCALE: 2/1	SHEET: 1/2	REV: A
		DWG NO.: LP13122743		



Mechanical :

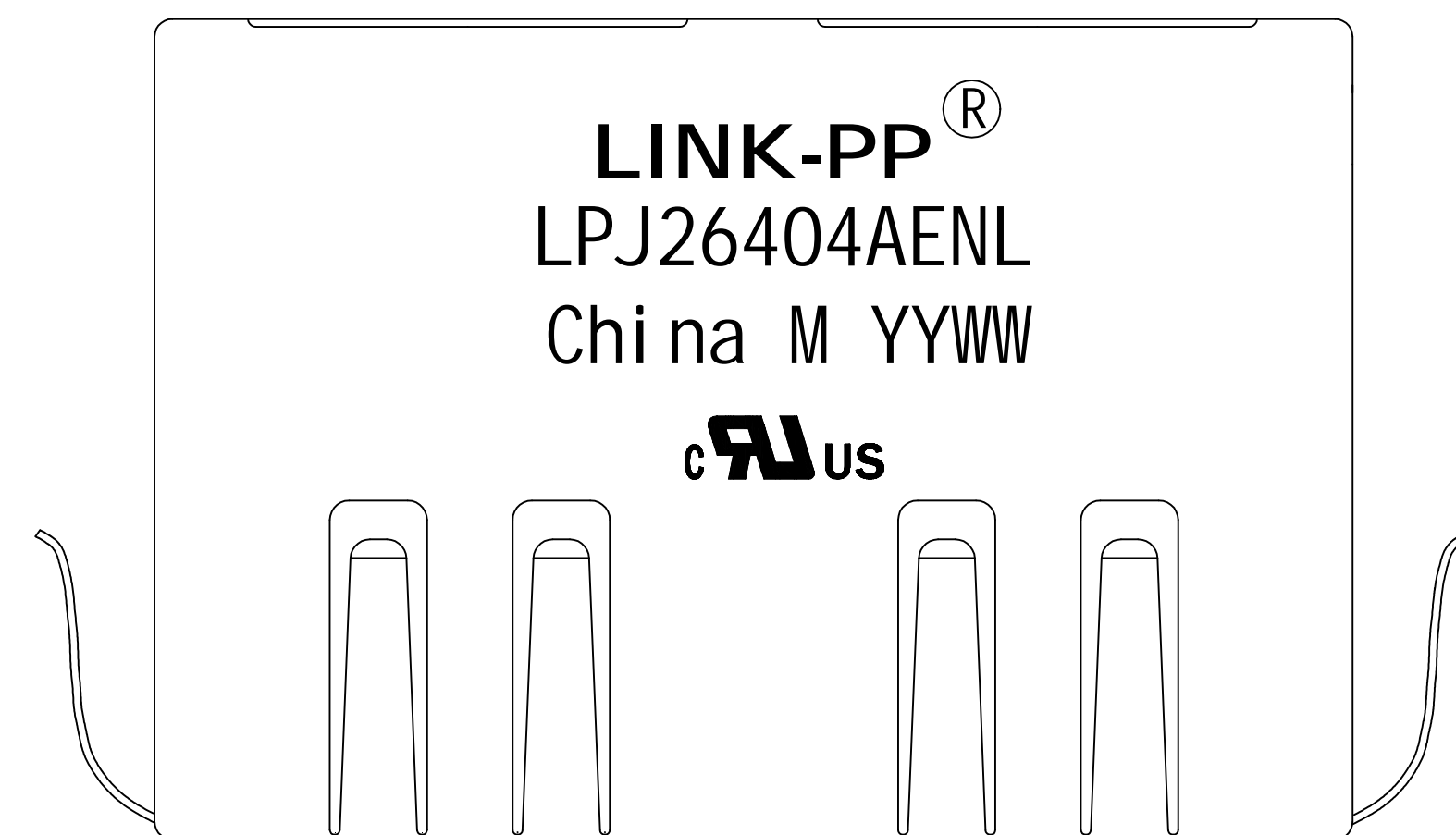
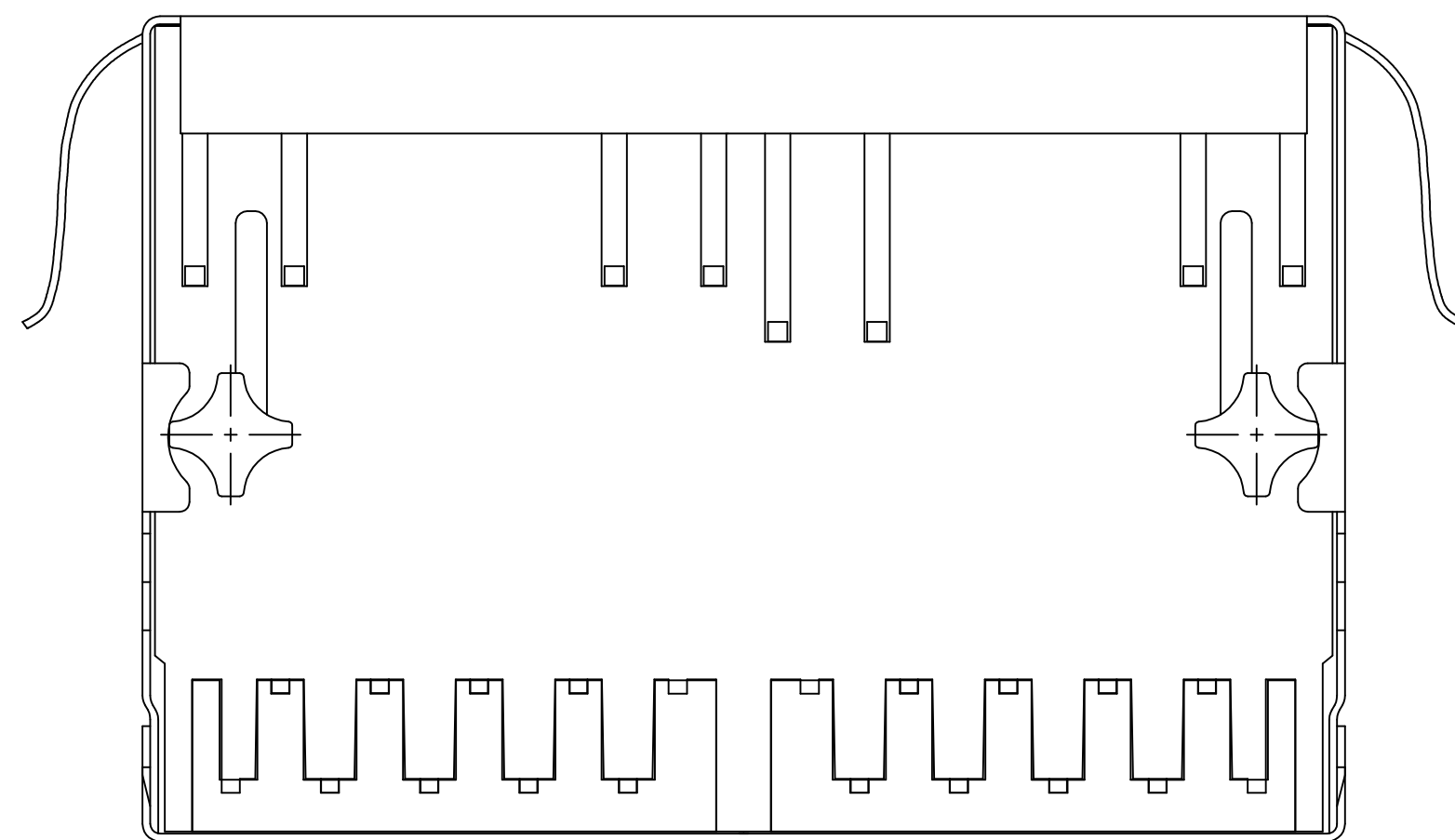
REV.	ECN NO.	DESCRIPTION	DATE	APPD
A	REL		2013-12-27	



RECOMMENDED PCB LAYOUT(TOP VIEW)

NOTES:

1. Designed to support application, such as SOHO(ADSL modems), LAN-on-Motherboard(LOM), hub and Switches.
2. Meets IEEE802.3 specification.
3. Connector Materials:  
 Housing: Thermoplastic PBT+30%G.F UL94V-0  
 Contact: Phosphor Bronze C5210R-EH Thickness=0.35mm  
 Pins: Brass C2680R-H Thickness=0.35mm  
 Shield: SUS 304-1/2H Thickness=0.2mm  
 Contact plating: Gold 6 micro-inches min. In contact area.
4. Wave solder tip temperature: 250°C Max, 5 Sec.
5. UL Certification: File Number E484635.



X.X	±0.30	APPD: TOM	LINK-PP INT'L TECHNOLOGY CO., LIMITED	
X.XX	±0.25	CHKD: JAMES	TITLE:	
X.XXX	±0.15	DR: LEO	RJ45 1X2 CONNECTOR WITH 10/100 BASE-T INTEGRATED MAGNETICS & WITH EMI SPRING FINGER & WITH LED	
ANGLES	±1°	UNIT: mm	PART NO.: LPJ26404AENL	
		SCALE: 2/1	SHEET: 2/2	REV: A DWG NO.: LP13122743

