

MCON INTERCONNECTION SYSTEM

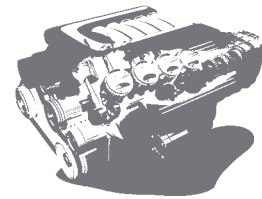
FOR THE AUTOMOTIVE INDUSTRY

SOLUTIONS FOR FUTURE MOBILITY

The pace at which the E&E architecture of vehicles is being innovated is one of the major challenges facing the automotive industry. An increasing number of electric and electronic systems enriches modern vehicles and makes them more attractive. At the same time, reliability is one of the automotive industry's core strengths. Within this area of potential conflict, everything depends on constant innovation and proven technology. Is that a contradiction in terms? Not for us.

TE Transportation Solutions, which is part of TE Connectivity, is a company driven by technology. With this philosophy, we have become one of the world's largest manufacturers of passive components. It's part of our DNA to reconcile innovation and reliability. To do that, we have invested in modern R&D and testing infrastructure. We will show you how TE Connectivity's passive components can contribute to vehicle function enrichment, better efficiency and greater comfort.

POWERTRAIN SYSTEMS



SAFETY & SECURITY SYSTEMS



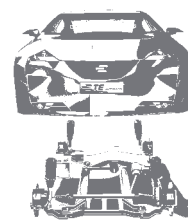
CONVENIENCE



DRIVER INFORMATION



BODY & CHASSIS SYSTEMS



TE AUTOMOTIVE ONLINE

The TE Transportation Solutions website is an innovative and interactive source for application information, product updates and technical solutions.

Please contact us at: www.te.com/automotive

STAY CONNECTED

TE AUTOMOTIVE OFFERS A VARIETY OF
PRODUCT SPECIFIC CATALOGS, BROCHURES
AND HIGH IMPACT FLYERS TO HELP BETTER
SERVE YOU!

TE Literature

For more information on literature for
TE Automotive, please contact your local
organization or go to: www.te.com/automotive

TE Products

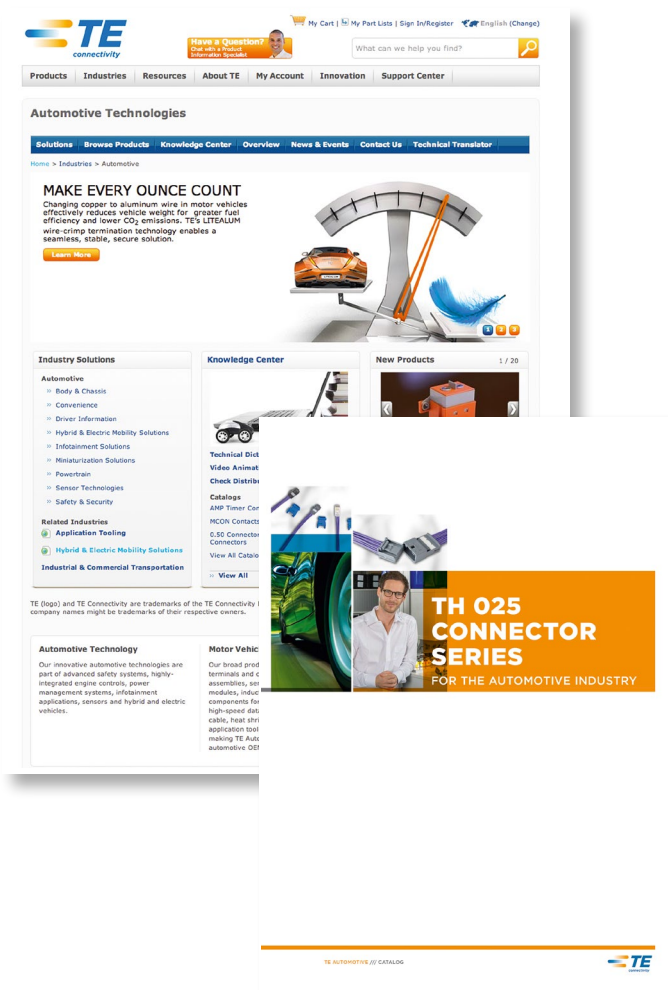
www.te.com/en/products/product-landing.html

Product Information Center (PIC)

You can rely on TE Connectivity's PIC Team to
provide you support for answers to your general
information or technical questions in an efficient
and effective manner.

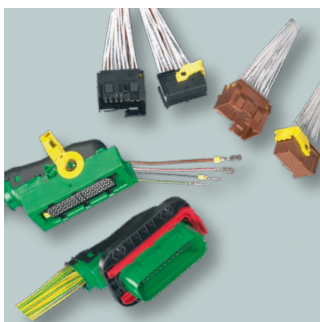
To reach our PIC staff, please contact your local
organization or see our Global Contacts page.

Please contact us at
www.te.com/support-center



INNOVATIVE TECHNOLOGIES

TE Automotive – a business segment of TE Connectivity – follows the globalization goals of our customers, speeds up the integration of new technologies and enables our customers access to our vast product portfolio and services.



Interconnection Systems

TE Connectivity’s electrical and electronic interconnection products and solutions are used to electrically and mechanically join wires and cables, printed circuit boards, integrated circuit packages and batteries.



Cable Assemblies

TE Connectivity is your partner for vehicle-specific cable assemblies. We offer research and development capabilities, prototypes and samples, as well as manufacturing facilities for special cable assemblies.



Hybrid & Electric Mobility Solutions

Electric mobility is changing the way engineers think about vehicles. The way they’re designed and engineered. The way they’re fueled. Even the way the fuel is delivered. And we’re right there with you helping complete the connections for current and nextgeneration hybrid and electric mobility and the charging infrastructure. TE Connectivity’s complete portfolio of connection and protection systems includes battery connectivity systems, connectors, cable assemblies, high-voltage relays and contactors, power distribution units and customer-specific designs.



Sensor Solutions

TE Connectivity provides contactless and electromechanical sensor products with robust housing technologies, connection systems and temperature-resistant design for use in a variety of industrial and commercial transportation applications.





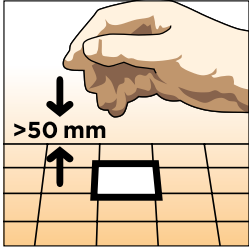

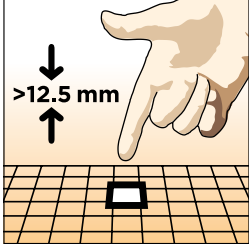
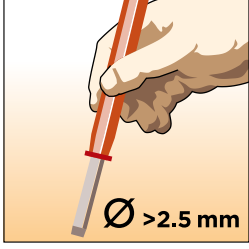
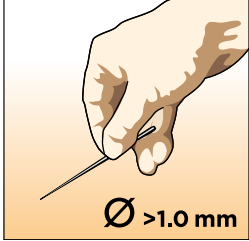
Relays


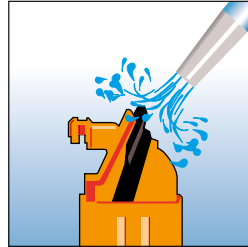
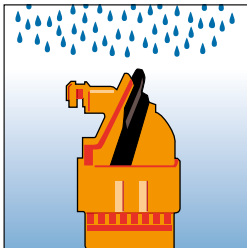

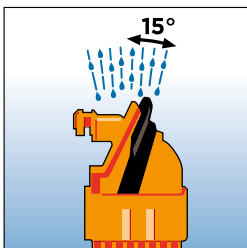

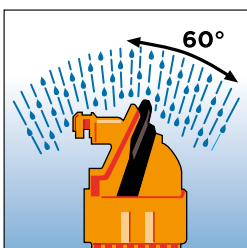
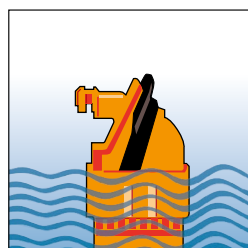
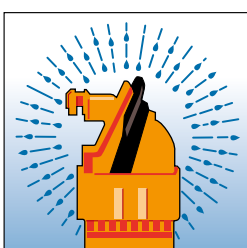
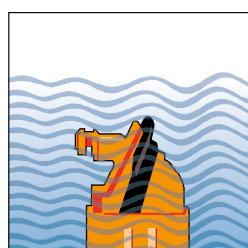
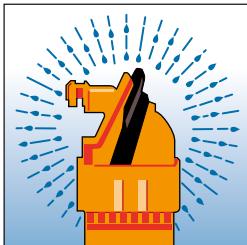

TE Connectivity's 24 V relay product line includes a broad range of robust and versatile relays for many diverse applications within trucks, buses, agricultural tractors, construction equipment and other heavy duty commercial vehicles. With increased contact gaps and other key design features, these relays are designed for use in challenging environments where they may regularly encounter extended periods of shock and vibration.



Infotainment

TE Connectivity offers a wide variety of infotainment solutions for consumer port connections, high data rate applications, next-generation harness architecture, board-to-board connections and vehicle-to-vehicle communication.

1st Digit	Against Foreign Objects (incl. Dust)	1st Digit	Against Foreign Objects (incl. Dust)
0	 <p>Not protected.</p>	5K	 <p>Dust protected.</p>
1	 <p>>50 mm</p> <p>Protected against solid objects greater than 50 mm (ex. back of hand).</p>	6K	 <p>Dust tight.</p>
2	 <p>>12.5 mm</p> <p>Protected against solid objects greater than 12.5 mm (ex. finger).</p>		
3	 <p>Ø >2.5 mm</p> <p>Protected against solid objects greater than 2.5 mm (ex. tool).</p>		
4	 <p>Ø >1.0 mm</p> <p>Protected against solid objects greater than 1.0 mm (ex. wire).</p>		

2nd Digit	Against Water	2nd Digit	Against Water
0	 <p>Not protected.</p>	5	 <p>Protected against jetting water.</p>
1	 <p>Protected against vertically dripping water.</p>	6	 <p>Protected against powerfully jetting water.</p>
2	 <p>Protected against dripping water when tilted up to 15°.</p>	6K	 <p>Protected against powerfully jetting water with increased pressure (Automotive).</p>
3	 <p>Protected against spraying water (up to 60° inclination).</p>	7	 <p>Protected against the temporary effects of immersion up to 1 meter.</p>
4	 <p>Protected against splashing water.</p>	8	 <p>Protected against continuous submersion agreed with customer, but more severe than code 7.</p>
4K	 <p>Protected against splashing water with increased pressure.</p>	9K	 <p>Protected against high-pressure/steam-jet cleaning (Automotive).</p>

At TE Connectivity, we support your RoHS requirements. We've assessed more than 1.5 million end items/components for RoHS compliance, and issued new part numbers where any change was required to eliminate the restricted materials. Part numbers in this catalog are identified as:

Getting the information you need

Our comprehensive on-line RoHS Customer Support Center provides a forum to answer your questions and support your RoHS needs. A RoHS FAQ (Frequently Asked Questions) is available with links to more detailed information. You can also submit RoHS questions and receive a response within 24 hours during a normal work week.

The Support Center also provides:

Cross-Reference from Non-compliant to Compliant Products

Ability to browse RoHS Compliant Products in our on-line catalog:

www.te.com/commerce/alt/RohsAltHome.do

Downloadable Technical Data Customer Information Presentation

More detailed information regarding the definitions used above

RoHS Compliant

Part numbers in this catalog are RoHS Compliant, unless marked otherwise. These products comply with European Union Directive 2002/95/EC as amended 1 January 2006 that restricts the use of lead, mercury, cadmium, hexavalent chromium, PBB, and PBDE in certain electrical and electronic products sold into the EU as of 1 July 2006.

Note: For purposes of this Catalog, included within the definition of RoHS Compliant are products that are clearly "Out of Scope" of the RoHS Directive such as hand tools and other non-electrical accessories.

Non-RoHS Compliant

These part numbers are identified with a "t" symbol. These products do not comply with the material restrictions of the European Union Directive 2002/95/EC.

5 of 6 Compliant

A "I" symbol identifies these part numbers. These products do not fully comply with the

European Union Directive 2002/95/EC because they contain lead in solderable interfaces (they do not contain any of the other five restricted substances above allowable limits). However, these products may be suitable for use in RoHS applications where there is an application-based exception for lead in solders, such as the server, storage, or networking infrastructure exemption.

Note: Information regarding RoHS compliance is provided based on reasonable inquiry of our suppliers and represents our current actual knowledge based on the information provided by our suppliers. This information is subject to change. For latest compliance status, refer to our website referenced below. So whatever your questions when it comes to RoHS, we've got the answers at <http://www.te.com/customersupport/rohssupportcenter/>

Conversion Tables

AWG Conversion Table (Average Value)

AWG Code	Diameter (Inch)	Diameter (mm)	F (mm ²)
000000	0.5800	14.733	170.0
00000	0.5165	13.13	135.0
0000	0.4600	11.684	103.8
000	0.4096	10.40	79.0
00	0.3648	9.27	67.5
0	0.3249	8.25	53.4
1	0.2893	7.34	42.2
2	0.2576	6.55	33.7
3	0.2294	5.82	26.6
4	0.2043	5.18	21.0
5	0.1819	4.62	16.9
6	0.1620	4.115	13.25
7	0.1443	3.66	10.25
8	0.1285	3.26	8.34
9	0.1144	2.90	6.6
10	0.1019	2.59	5.27
11	0.0907	2.30	4.15
12	0.0808	2.05	3.3
13	0.0720	1.83	2.63
14	0.0641	1.63	2.08
15	0.0571	1.45	1.65
16	0.0508	1.29	1.305
17	0.0453	1.14	1.01
18	0.0403	1.02	0.79
19	0.0359	0.91	0.65
20	0.0320	0.81	0.51
21	0.0285	0.72	0.407
22	0.0253	0.64	0.32
23	0.0226	0.57	0.255
24	0.0201	0.51	0.205
25	0.0179	0.455	0.162
26	0.0159	0.40	0.125
27	0.0142	0.36	0.102
28	0.0126	0.320	0.08
29	0.0113	0.287	0.0646
30	0.0100	0.254	0.0516
31	0.0089	0.226	0.04
32	0.0080	0.203	0.0324
33	0.0071	0.180	0.0255
34	0.0063	0.160	0.02
35	0.0056	0.142	0.0158
36	0.0050	0.127	0.0127
37	0.0045	0.114	0.01
38	0.0040	0.101	0.008
39	0.0035	0.089	0.0062
40	0.0031	0.079	0.0049
41	0.0028	0.071	0.00395
42	0.0025	0.064	0.00321
43	0.0022	0.056	0.00246
44	0.00198	0.050	0.00196
45	0.00176	0.045	
46	0.00157	0.040	
47	0.00140	0.036	
48	0.00124	0.031	
49	0.00110	0.028	
50	0.00099	0.025	

Remark: Starting from 0.03 mm² (AWG 32) a wire can be crimped.

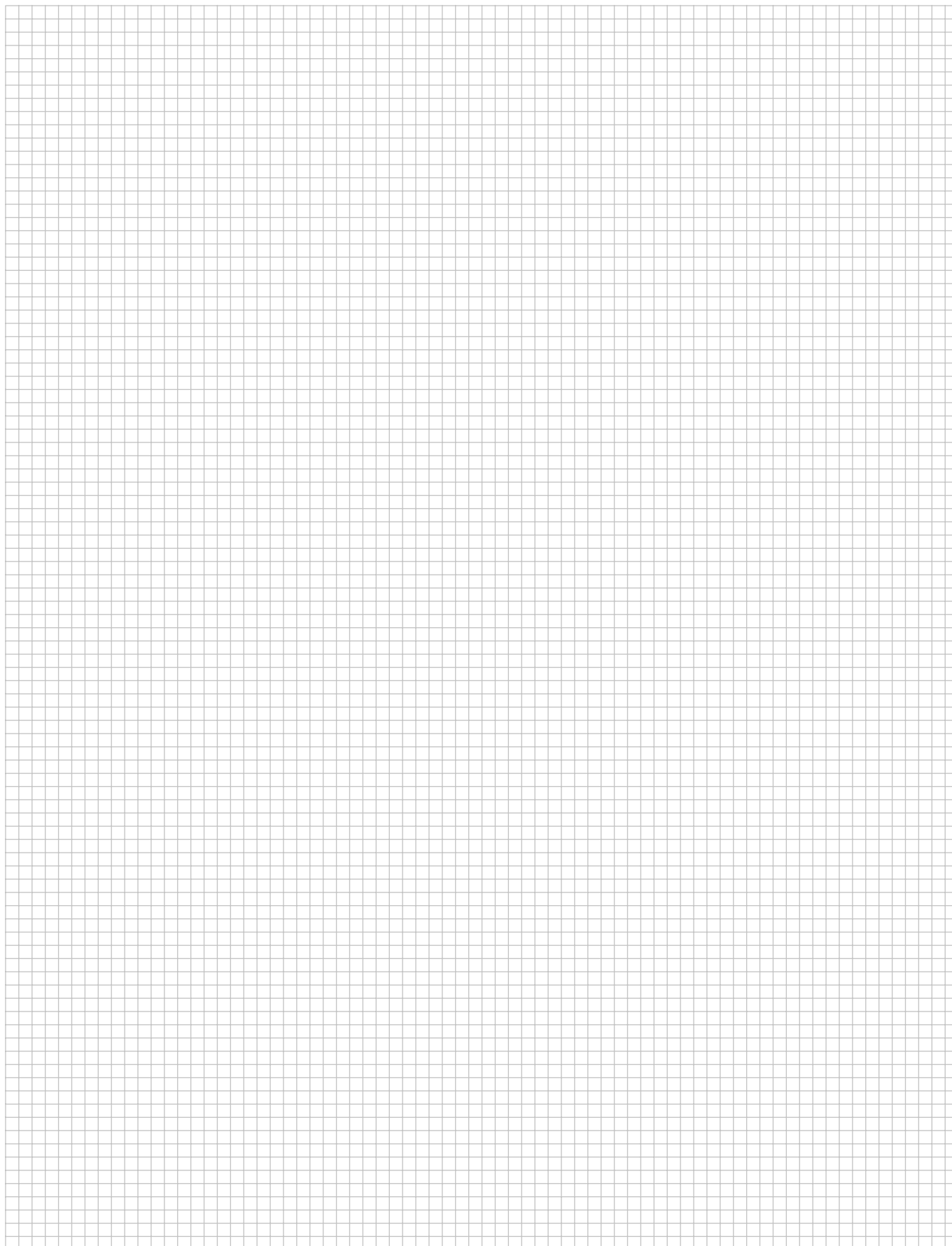
**MCON
Interconnection System**

	Page	Powertrain Systems	Safety & Security Systems	Convenience	Driver Information	Body & Chassis Systems
MCON Tab and Receptacle Contacts						
Introduction	1					
MCON 0.50mm Contact System						
Receptacle Contacts	2	•	•	•	•	•
MCON 1.2mm Contact System						
Receptacle Contacts - Locking Lance (LL)	3	•	•	•	•	•
Tab Contacts - Locking Lance (LL)	4	•	•	•	•	•
Receptacle Contacts - Clean Body (CB)	5	•	•	•	•	•
Tab Contacts - Clean Body (CB)	6	•	•	•	•	•
HPF 1.2mm Contact System						
Receptacle Contacts - Locking Lance (LL)	7	•	•	•	•	•
MCON 2.8mm Contact System						
Receptacle Contacts - Locking Lance (LL)	8	•	•	•	•	•
MCON 6.3mm Contact System						
Receptacle Contacts - Locking Lance (LL)	9	•	•	•	•	•
Receptacle Contacts - Clean Body (CB)	10	•	•	•	•	•
MCON 8mm Contact System						
Receptacle Contacts	11	•	•	•	•	•
MCON 9.5mm Contact System						
Receptacle Contacts	12	•	•	•	•	•
Single Wire Seals and Sealing Plugs						
Single Wire Seals and Sealing Plugs	13	•	•	•	•	•

MCON Housings and Connectors

Introduction	15					
Sealed MCON 1.2 Receptacle Housing for Locking Lance Contacts 2 to 3 Positions	16	•	•	•	•	•
Sealed MCON 1.2 Receptacle Housing for Locking Lance Contacts 4 to 8 Positions	17	•	•	•	•	•
Sealed MCON 1.2 Tab Housing for Locking Lance Contacts 2 to 8 Positions	18	•	•	•	•	•
Sealed MCON 1.2 Gen2 Receptacle Housing for Locking Lance Contacts 2 to 5 Positions	19	•	•	•	•	•
Sealed MCON 1.2 Gen2 Tab Housing for Locking Lance Contacts 2 to 5 Positions	20	•	•	•	•	•
Sealed MCON 1.2 V4 / HPF 1.2 Series Housing 2 Positions	21	•	•	•	•	•
Sealed MCON 1.2 Receptacle Housing for Clean Body Contacts - up to 125° C	22	•	•	•	•	•

MCON Interconnection System	Page	Powertrain Systems	Safety & Security Systems	Convenience	Driver Information	Body & Chassis Systems
MCON Housings and Connectors						
Sealed MCON 1.2 Receptacle Housing for Clean Body Contacts - up to 150°C	23	•	•	•	•	•
Sealed MCON 1.2 Receptacle Housing for Clean Body Contacts - Low Profile Sidelatch - up to 150°C	24	•	•	•	•	•
Sealed MCON 1.2 32 Positions Mixed Housing	25	•	•	•	•	•
MCON 1.2 Sealed Wire-to-wire or Bulkhead Housing	26	•	•	•	•	•
18 Positions MCON 1.2 + 2.8 Mixed Wire-to-wire Connector	27	•	•	•	•	•
Application Tooling	29					
Numerical Index	31 - 33					
Imprint	34					
Global Contacts	35					



POWERTRAIN SYSTEMS



SAFETY & SECURITY SYSTEMS



CONVENIENCE



DRIVER INFORMATION



BODY & CHASSIS SYSTEMS



MCON TAB AND RECEPTACLE CONTACTS

MCON INTERCONNECTION SYSTEM INTRODUCTION

MCON is a series of contact systems commonly used for electrical and electronic applications for passenger cars and commercial vehicles. The contact design meets standardized blade sizes and interface requirements of the automotive industry.

Except the miniaturized MCON 0.50 contact system, all contacts follow the two-piece contact design strategy to separate the electrical from the mechanical performance.

The MCON contact series is available for sealed and unsealed applications. For a fast and economic termination process, TE Application Tooling is offering a vast portfolio of application equipment.

The MCON advantages:

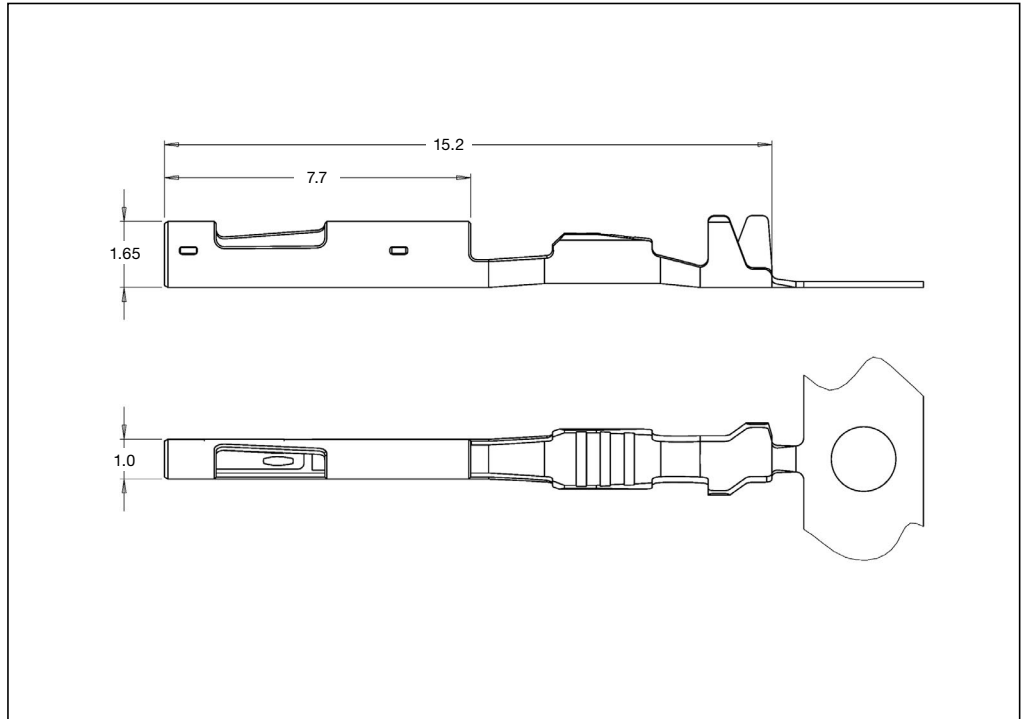
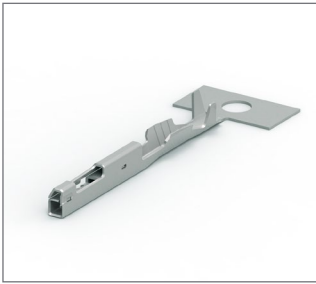
- High performance copper alloy
- Redundant contact point technology for higher reliability
- High vibration level support to meet future requirements
- Overstress protection of the contact springs
- Contact box with polarization and secondary locking feature*
- Protected locking lance**
- Sealed and unsealed version
- -40°C up to 150°C temperature range***
- 3 directional secondary locking access

* MCON 0.50, MCON 1.2, MCON 2.8 and MCON 6.3
- same level for locking lance and secondary feature

** Except MCON 0.50 - clean body version

*** -40°C to 180°C with innovative surface technology available

Receptacle Contacts



Technical Features

Contact Material:

CuNiSi/CuSn

Wire Size Range :

0.13 – 0.35 mm²

Current Carrying Capacity :

up to 3 Ampere
(@ 80° C ambient temperature)

Total Temperature Range :

-40° C ... +105° C (tin plated)
-40° C ... +150° C (gold plated)
-40° C ... +170° C (silver plated)

Insertion Force :

Max 3.5 N

Extraction Force:

Max 3 N

Extraction Tool*:

8-1579007-9

Product Drawing:

2208562

Product Specification:

108-94342

Application Specification:

114-94191

* The option which extraction tool is the right tool for the application is dependent on the assembly of the contact and the connector.

Standard Receptacle Contact (SRC)

Wire Size Range (mm ²)	Insulation Diameter (mm) FLR	Part Number	Material and Finish *)	Applicator ♦)	Hand Tool complete ◇)
0.13 – 0.17	0.85 – 1.10	2177908	-1 /-2 /-3	2151332-x	
0.22 – 0.35	0.95 – 1.20	2177909	-1 /-2 /-3	2151523-x	4-1579014-1
	1.20 – 1.30		-1 /-2 /-3	2151524-x	

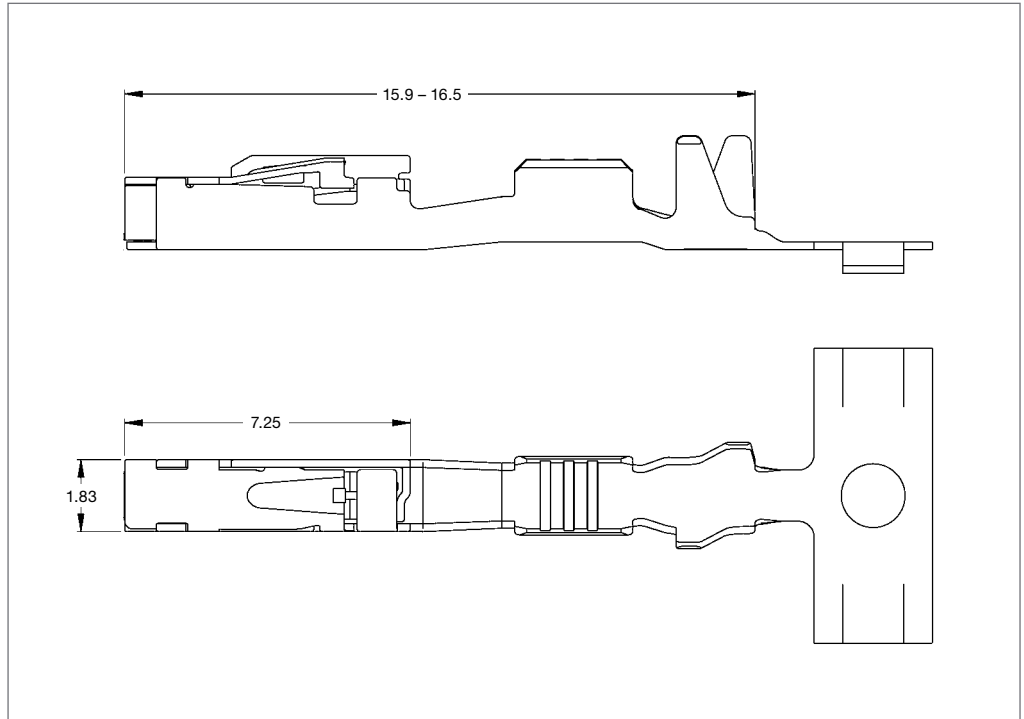
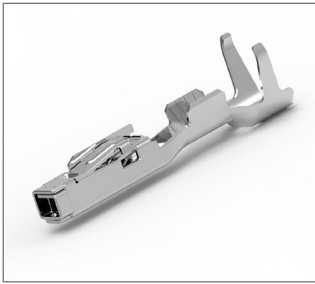
*) **Material and Finish:** xxx-1 = CuNiSi, pre-tin plated
xxx-2 = CuNiSi, selective gold plated
xxx-3 = CuNiSi, selective silver plated

Note: All part numbers are RoHS and ELV compliant

♦) The pre- and suffix for the applicators depends on the applied termination equipment

◇) In case of Tooling query please contact your local TE Connectivity representative

Receptacle Contacts – Locking Lance (LL)



Technical Features

Contact Material:

CuSn / CuNiSi

Wire Size Range:

0.13 – 1.5mm²

Current Carrying Capacity:

up to 17 Ampere
(@ 80°C ambient temperature)

Total Temperature Range:

-40°C ... +130°C (tin plated)
-40°C ... +150°C (gold plated)
-40°C ... +150°C (silver plated)

Insertion Force:

Max 5 N

Extraction Force:

Max 2.5 N

Extraction Tool*:

5-1579007-3

Product Drawing:

1452674

Product Specification:

108-18782

Application Specification:

114-18464

* The option which extraction tool is the right tool for the application is dependent on the assembly of the contact and the connector.

Standard Receptacle Contact (SRC)

Wire Size Range (mm ²)	Insulation Diameter (mm) FLR	Part Number	Material and Finish *)	Applicator ♦)	Hand Tool	Die Set	Mating Tab Contact
0.13 – 0.22	0.85 – 1.05	2141861	-1 /-2/ -3	x-2151333-x	On request ◇)	On request ◇)	2141864
0.25 – 0.35	1.10 – 1.75	7-1452653	-1 /-2/ -3	x-2151042-x	539635-1	4-1579001-3	5-1418758
0.50 – 0.75	1.4 – 1.9	7-1452656	-1 /-2/ -3	x-2151037-x		4-1579001-2	5-1418760
1.0 – 1.5	1.9 – 2.4	7-1452659	-1 /-2/ -3	x-2151353-x		4-1579001-1	1418762

Receptacle Contact with Single Wire Sealing (SWS) System

Wire Size Range (mm ²)	Insulation Diameter (mm) FLR	Part Number	Material and Finish *)	Applicator ♦)	Hand Tool	Die Set	Mating Tab Contact
0.13 – 0.22	0.85 – 1.05	2141970	-1 /-2/ -3	x-2151585-x	On request ◇)	On request ◇)	2141868
0.25 – 0.35	1.10 – 1.75	7-1452665	-1 /-2/ -3	x-2151041-x ^{a)} x-2266276-x ^{b)}	539635-1	4-1579001-7	1718758
0.50 – 0.75	1.4 – 1.9	7-1452668	-1 /-2/ -3	x-2151036-x		4-1579001-6	1718760
1.0 – 1.5	1.9 – 2.4	7-1452671	-1 /-2/ -3	x-2151049-x		4-1579001-5	1718762

a) Sealed Application

b) Sealed Application – Insulation crimp width 3.05mm [.120"], applies insulation diameter range of 1.10-1.75mm [.043-.069"]

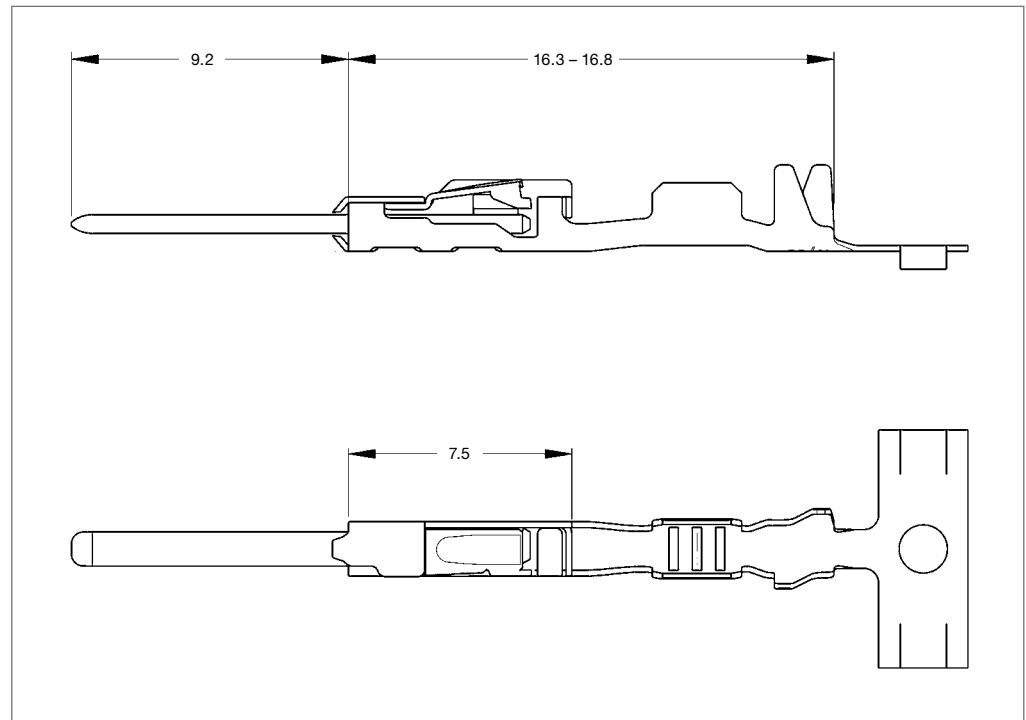
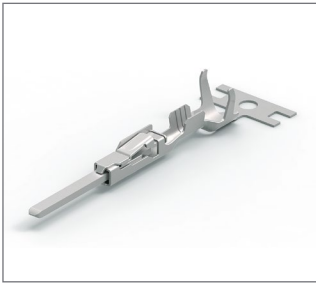
*) **Material and Finish:** xxx-1 = CuNiSi, pre-tin plated
xxx-2 = CuNiSi, selective gold plated
xxx-3 = CuNiSi, selective silver plated

Note: All part numbers are RoHS and ELV compliant

♦) The pre- and suffix for the applicators depends on the applied termination equipment

◇) In case of Tooling query please contact your local TE Connectivity representative

Tab Contacts – Locking Lance (LL)



Technical Features

Contact Material:

CuSn/CuNiSi

Wire Size Range:

0.13-1.5mm²

Current Carrying Capacity:

up to 17 Ampere
(@ 80° C ambient temperature)

Total Temperature Range:

-40° C ... +130° C (tin plated)
-40° C ... +150° C (gold plated)
-40° C ... +150° C (silver plated)

Extraction Tool*:
5-1579007-3

Product Drawing:
1418754

Product Specification:
108-18782

Application Specification:
114-18464

* The option which extraction tool is the right tool for the application is dependent on the assembly of the contact and the connector.

Standard Tab Contact

Wire Size Range (mm ²)	Insulation Diameter (mm) FLR	Part Number	Material and Finish *)	Applicator ♦	Hand Tool	Die Set	Mating Rec Contact
0.13 – 0.17	0.85 – 1.2	2141864	-1 /-2/ -3	x-2151657-x	On request ◊	On request ◊	2141861
0.25 – 0.35	1.1 – 1.75	5-1418758	-1 /-2/ -3	x-2151311-x		4-1579001-3	7-1452653
0.50 – 0.75	1.4 – 1.9	5-1418760	-1 /-2/ -3	x-2151300-x	539635-1	4-1579001-2	7-1452656
1.0 – 1.5	1.9 – 2.4	1418762	-1 /-2/ -3	x-2151479-x		4-1579001-1	7-1452659

Tab Contact with Single Wire Sealing (SWS) System

Wire Size Range (mm ²)	Insulation Diameter (mm) FLR	Part Number	Material and Finish *)	Applicator ♦	Hand Tool ◊	Die Set ◊	Mating Rec Contact
0.13 – 0.17	0.85 – 1.2	2141868	-1 /-2/ -3	x-2151658-x	On request	On request	2141970
0.25 – 0.35	1.1 – 1.6	1718758	-1 /-2/ -3	x-2151596-x		4-1579001-7	7-1452665
0.50 – 0.75	1.4 – 1.9	1718760	-1 /-2/ -3	x-2151477-x	539635-1	4-1579001-6	7-1452668
1.0 – 1.5	1.9 – 2.4	1718762	-1 /-2/ -3	x-2151480-x		4-1579001-5	7-1452671

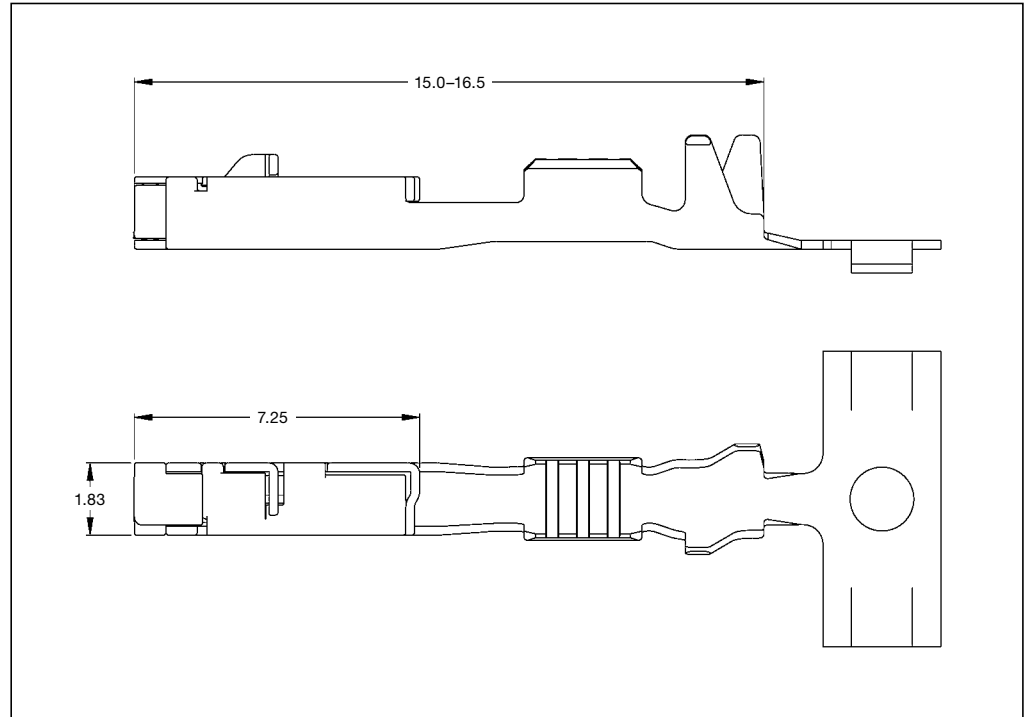
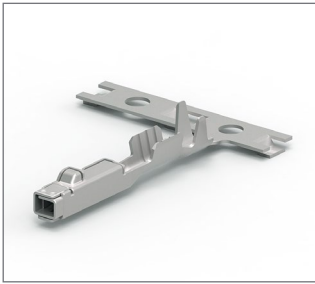
***) Material and Finish:** xxx-1 = CuNiSi, pre-tin plated
xxx-2 = CuNiSi, selective gold plated
xxx-3 = CuNiSi, selective silver plated

Note: All part numbers are RoHS and ELV compliant

♦ The pre- and suffix for the applicators depends on the applied termination equipment

◊ In case of Tooling query please contact your local TE Connectivity representative

Receptacle Contacts – Clean Body (CB)



Technical Features

Contact Material:

CuSn / CuNiSi

Wire Size Range:

0.25 – 1.5mm²

Current Carrying Capacity:

up to 17 Ampere
(@ 80° C ambient temperature)

Total Temperature Range:

-40° C ... +130° C (tin plated)
-40° C ... +150° C (gold plated)
-40° C ... +150° C (silver plated)

Insertion Force:

Max 5 N

Extraction Force:

Max 2.5 N

Extraction Tool*:

1-1579028-1

Product Drawing:

1534326

Product Specification:

108-18782

Application Specification:

114-18464

* The option which extraction tool is the right tool for the application is dependent on the assembly of the contact and the connector.

Standard Receptacle Contact (SRC)

Wire Size Range (mm ²)	Insulation Diameter (mm) FLR	Part Number	Material and Finish *)	Applicator ◆	Hand Tool ◇	Die Set ◇	Mating Tab Contact
0.25 – 0.35	1.10 – 1.75	1534594	-1 /-2/ -3	x-2151470-x	539635-1	1579001-6	1718348-x
0.50 – 0.75	1.4 – 1.9	1670144	-1 /-2/ -3	x-2151068-x	2-1579016-1	-	1718350-x
1.0 – 1.5	1.9 – 2.4	1452503	-1 /-2/ -3	x-2151468-x	1-1579001-3	-	N/A

Receptacle Contact with Single Wire Sealing (SWS) System

Wire Size Range (mm ²)	Insulation Diameter (mm) FLR	Part Number	Material and Finish *)	Applicator ◆	Hand Tool ◇	Die Set ◇	Mating Tab Contact
0.25 – 0.35	1.10 – 1.75	1418844	-1 /-2/ -3	x-2266013-x	-	3-1579001-9	2121114-x
0.50 – 0.75	1.4 – 1.9	1670146	-1 /-2/ -3	x-2151981-x	539635-1	2-1579016-2	2141116-x
1.0 – 1.5	1.9 – 2.4	1418850	-1 /-2/ -3	x-2266515-x	-	3-1579001-7	2177610-x

*) **Material and Finish:** xxx-1 = CuNiSi, pre-tin plated
xxx-2 = CuNiSi, selective gold plated
xxx-3 = CuNiSi, selective silver plated

Note: All part numbers are RoHS and ELV compliant

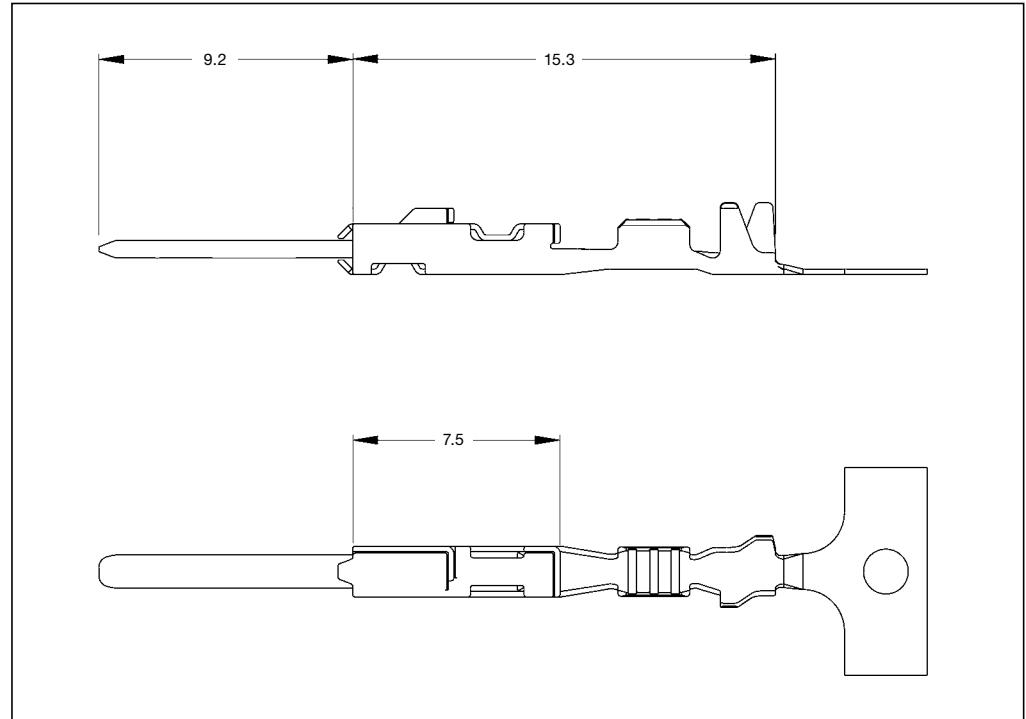
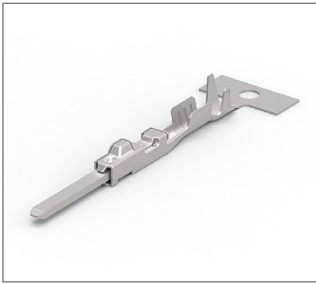
◆ The pre- and suffix for the applicators depends on the applied termination equipment

◇ In case of Tooling query please contact your local TE Connectivity representative

MCON Interconnection System

MCON 1.2mm Contact System

Tab Contacts – Clean Body (CB)



Technical Features

Contact Material:

CuSn

Wire Size Range:

0.25 – 0.75mm²

Current Carrying Capacity:

up to 17 Ampere
(@ 80° C ambient temperature)

Total Temperature Range:

-40° C ... +130° C (tin plated)
-40° C ... +150° C (gold plated)
-40° C ... +150° C (silver plated)

Extraction Tool*:

8-1579008-4

Product Drawing:

1718398

Product Specification:

108-18782

Application Specification:

114-18464

* The option which extraction tool is the right tool for the application is dependent on the assembly of the contact and the connector.

Standard Tab Contact

Wire Size Range (mm ²)	Insulation Diameter (mm) FLR	Part Number	Material and Finish *)	Applicator ♦)	Hand Tool	Die Set	Mating Rec Contact
0.25 – 0.35	1.1 – 1.6	1718348	-1 /-2 /-3	x-2151042-x	539635-1	4-1579001-3	1534594-x
0.50 – 0.75	1.4 – 1.9	1718350	-1 /-2 /-3	x-2151037-x		4-1579001-2	1670144-x

Tab Contact with Single Wire Sealing (SWS) System

Wire Size Range (mm ²)	Insulation Diameter (mm) FLR	Part Number	Material and Finish *)	Applicator ♦)	Hand Tool	Die Set	Mating Rec Contact
0.25 – 0.35	1.1 – 1.6	2121114	-3	x-2266516-x	539635-1	4-1579001-7	1418844-x
0.50 – 0.75	1.4 – 1.9	2141116	-3	x-2151477-x			On request ◇)
1.0 – 1.5	1.9 – 2.4	2177610	-3	x-2151480-x			

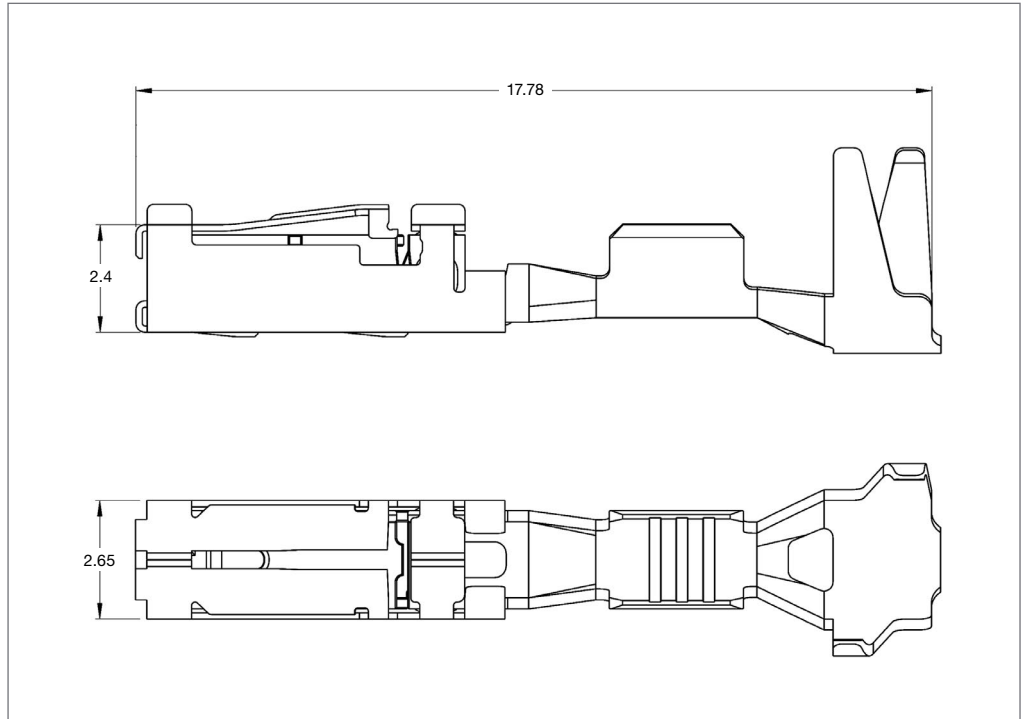
*) **Material and Finish:** xxx-1 = CuNiSi, pre-tin plated
xxx-2 = CuNiSi, selective gold plated
xxx-3 = CuNiSi, selective silver plated

Note: All part numbers are RoHS and ELV compliant

♦) The pre- and suffix for the applicators depends on the applied termination equipment

◇) In case of Tooling query please contact your local TE Connectivity representative

Receptacle Contacts – Locking Lance (LL)



Technical Features

Wire Size Range:

0.25 – 1.0mm²

Current Carrying Capacity:

up to 17 Ampere
(@ 80° C ambient temperature)

Total Temperature Range:

-40° C ... +150° C (silver plated)

Extraction Tool*:
3-1579018-4

Product Drawing:
C-2282325

Product Specification:
108-94432

Application Specification:
114-18912

* The option which extraction tool is the right tool for the application is dependent on the assembly of the contact and the connector.

Receptacle Contacts with Single Wire Sealing (SWS) System

Wire Size Range (mm ²)	Insulation Diameter (mm) FLR	Part Number	Material and Finish *)	Applicator ♦)	Hand Tool	Die Set
0.35	0.9 – 1.4mm	2208363	-3	x-2151518-x		
0.50	1.4 – 2.1mm	2208362	-3	x-2151519-x	6-1579016-5	On request ◇)
0.75 – 1.00	1.4 – 2.1mm	2208360	-3	x-2151520-x		

*) **Material and Finish:** xxx-3 = CuNiSi, selective silver plated

Note: All part numbers are RoHS and ELV compliant

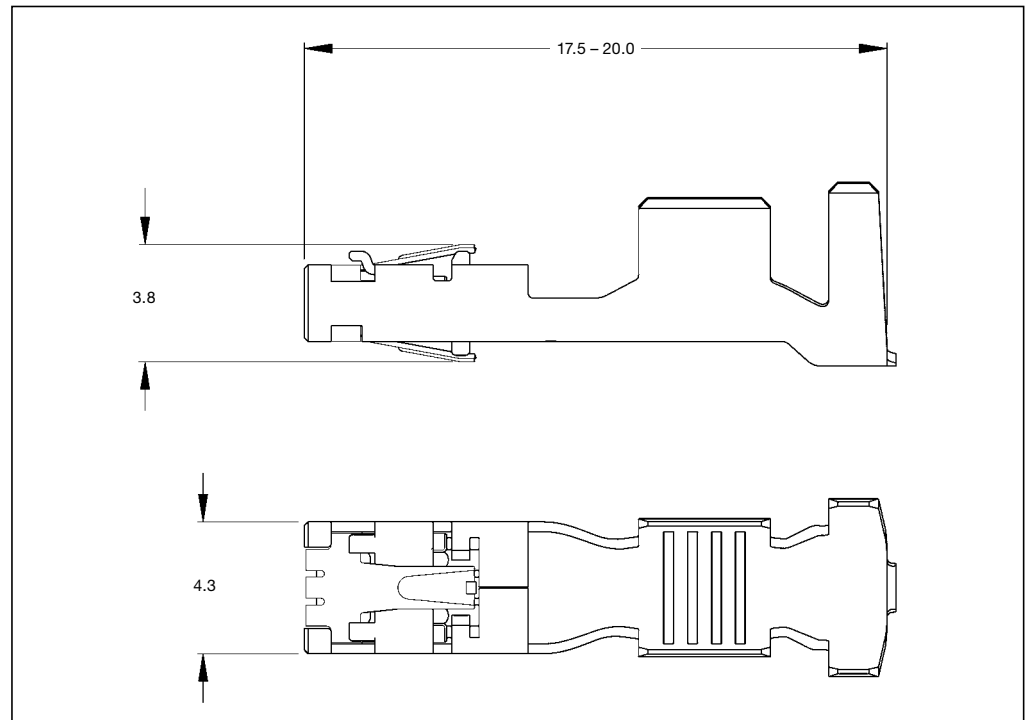
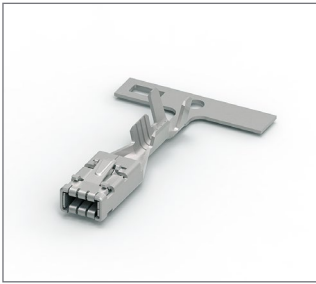
♦) The pre- and suffix for the applicators depends on the applied termination equipment

◇) In case of Tooling query please contact your local TE Connectivity representative

MCON Interconnection System

MCON 2.8mm Contact System

Receptacle Contacts – Locking Lance (LL)



Technical Features

Contact Material:

CuSn/CuNiSi

Wire Size Range:

0.20 – 4.0mm²

Current Carrying Capacity:

up to 36 Ampere
(at 80° C ambient temperature)

Total Temperature Range:

-40° C ... +130° C (tin plated)
-40° C ... +150° C (silver plated)

Insertion Force:

Max. 7 N

Extraction Force:

Max. 6 N

Extraction Tool*:

5-1579008-2

Product Drawing:

1719797

Product Specification:

108-94002

Application Specification:

114-18718

* The option which extraction tool is the right tool for the application is dependent on the assembly of the contact and the connector.

Standard Receptacle Contacts (SRC)

Wire Size Range (mm ²)	Insulation Diameter (mm) FLR	Material and Finish *)	Part Numbers			
			Strip Form	Applicator ♦	Hand Tool	Die Set
0.20 – 0.35	1.15 – 1.40	-1 / -3	1719836	x-2151590-x	539635-1	9-1579004-6
0.50	1.4 – 1.6	-1 / -3	1563719	x-2151566-x		9-1579004-7
0.75 – 1.00	1.7 – 2.1	-1 / -3	1719838	x-2151390-x		9-1579004-7
>1.0 – 2.50	2.2 – 3.0	-1 / -3	1719840	x-2151509-x ^{a)} x-2151604-x ^{b)}	539635-1	9-1579004-8
>2.5 – 4.00	3.4 – 3.7	-1 / -3	1718475	x-2151389-x		9-1579004-9

a) all wire sizes except for 2.5 ACOME

b) for 2.5mm² ACOME Wire only (preliminary)

Receptacle Contacts with Single Wire Seal (SWS) System

Wire Size Range (mm ²)	Insulation Diameter (mm) FLR	Material and Finish *)	Part Numbers			
			Strip Form	Applicator ♦	Hand Tool	Die Set
0.50	1.4 – 1.6	-1 / -3	1563935	x-2151513-x	On request ◇	6-1579014-7
0.75 – 1.00	1.7 – 2.1	-1 / -3	1670802	x-2151561-x	539635-1	6-1579014-1
>1.0 – 2.50	2.2 – 3.0	-1 / -3	1670804	x-2151570-x ^{a)} x-2151582-x ^{b)}		6-1579014-2
>2.5 – 4.00	3.4 – 3.7	-1 / -3	1670806	x-2266517-x		6-1579014-3

a) all wire sizes except for 2.5 ACOME

b) for 2.5mm² ACOME Wire only

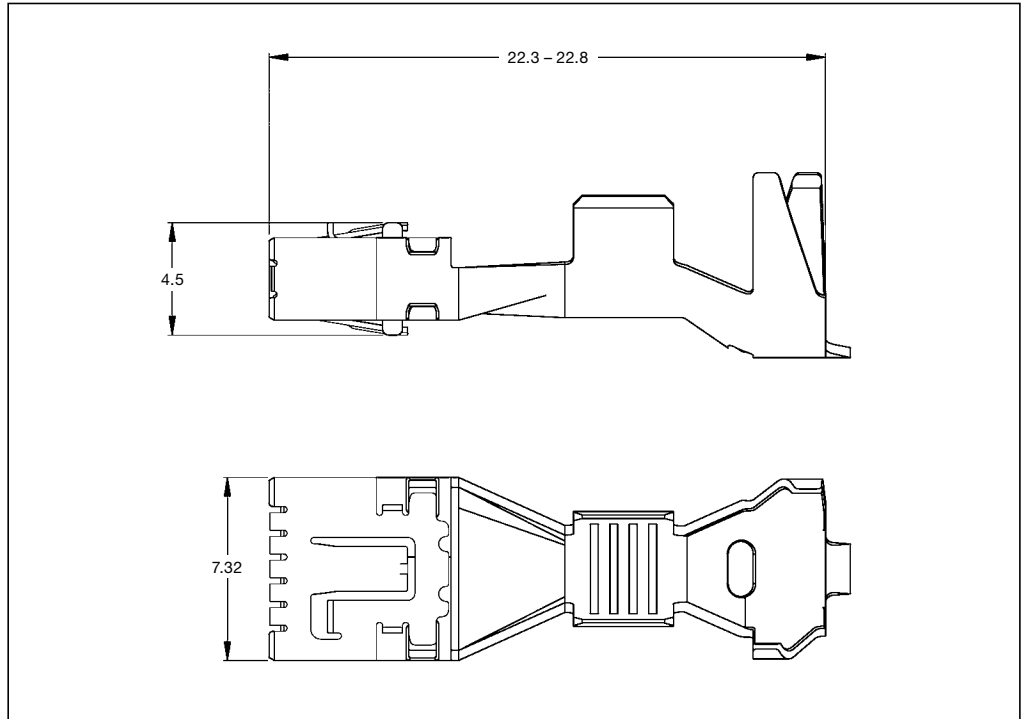
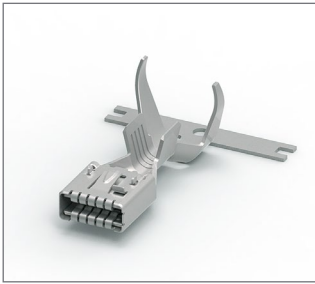
***) Material and Finish:** xxx-1 = CuNiSi, pre-tin plated
xxx-3 = CuNiSi, selective silver plated

Note: All part numbers are RoHS and ELV compliant

♦ The pre- and suffix for the applicators depends on the applied termination equipment

◇ In case of Tooling query please contact your local TE Connectivity representative

Receptacle Contacts – Locking Lance (LL)



Technical Features

Contact Material:

CuSn/CuNiSi

Wire Size Range:

>2.5 – 6.0mm²

Current Carrying Capacity:

up to 54 Ampere
(at 80° C ambient temperature)

Total Temperature Range:

–40° C ... +130° C (tin plated)
–40° C ... +150° C (silver plated)

Inserting Force:

Max. 15 N

Extraction Force:

Max. 10 N

Extraction Tool*:

5-1579008-1

Product Drawing:

1564888

Product Specification:

108-94149

Application Specification:

114-18944

* The option which extraction tool is the right tool for the application is dependent on the assembly of the contact and the connector.

Standard Receptacle Contacts with Single Wire System (SWS)

Wire Size Range (mm ²)	Insulation Diameter (mm) FLR	Material and Finish *)	Part Numbers			
			Strip Form	Applicator ◆)	Hand Tool	Die Set
>2.5 – 4.0	3.4 – 3.7	-1 /-3	1703836	x-2266518-x	On request ◇)	On request ◇)
>4.0 – 6.0	4.0 – 4.3	-1 /-3	1703834	x-2266519-x		

*) **Material and Finish:** xxx-1 = CuNiSi, pre-tin plated
xxx-3 = CuNiSi, selective silver plated

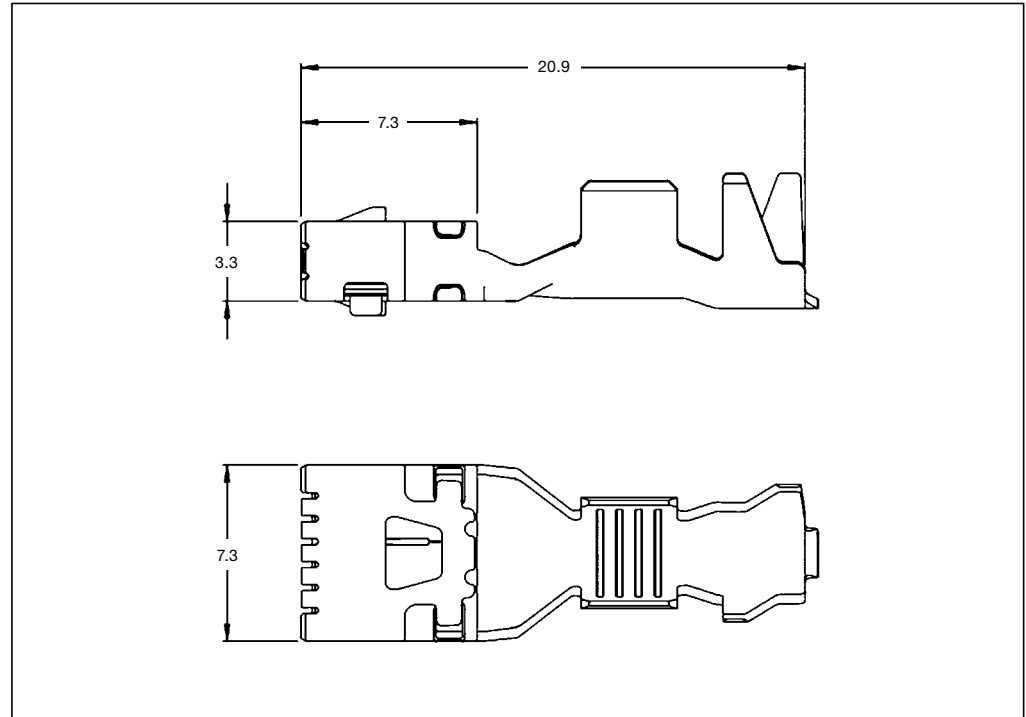
Note: All part numbers are RoHS and ELV compliant

◆) The pre- and suffix for the applicators depends on the applied termination equipment

◇) In case of Tooling query please contact your local TE Connectivity representative

MCON Interconnection System MCON 6.3mm Contact System

Receptacle Contacts – Clean Body (CB)



Technical Features

Contact Material:

CuSn/CuNiSi

Wire Size Range:

>2.5 – 6.0mm²

Current Carrying Capacity:

up to 54 Ampere
(at 80° C ambient temperature)

Total Temperature Range:

–40° C ... +130° C (tin plated)
–40° C ... +150° C (silver plated)

Inserting Force:

Max. 15 N

Extraction Force:

Max. 10 N

Extraction Tool*:

1579028-1

Product Drawing:

1564888

Product Specification:

108-94149

Application Specification:

114-18944

* The option which extraction tool is the right tool for the application is dependent on the assembly of the contact and the connector.

Standard Receptacle Contacts (SRC) in Clean Body

Wire Size Range (mm ²)	Insulation Diameter (mm) FLR	Material and Finish *)	Part Numbers			
			Strip Form	Applicator ◆)	Hand Tool	Die Set
>2.5 – 4.0	3.4 – 3.7	-1 / -3	2177770	x-2266096-x	On request ◇)	On request ◇)
>4.0 – 6.0	4.0 – 4.3	-1 / -3	2177771	x-2266095-x		

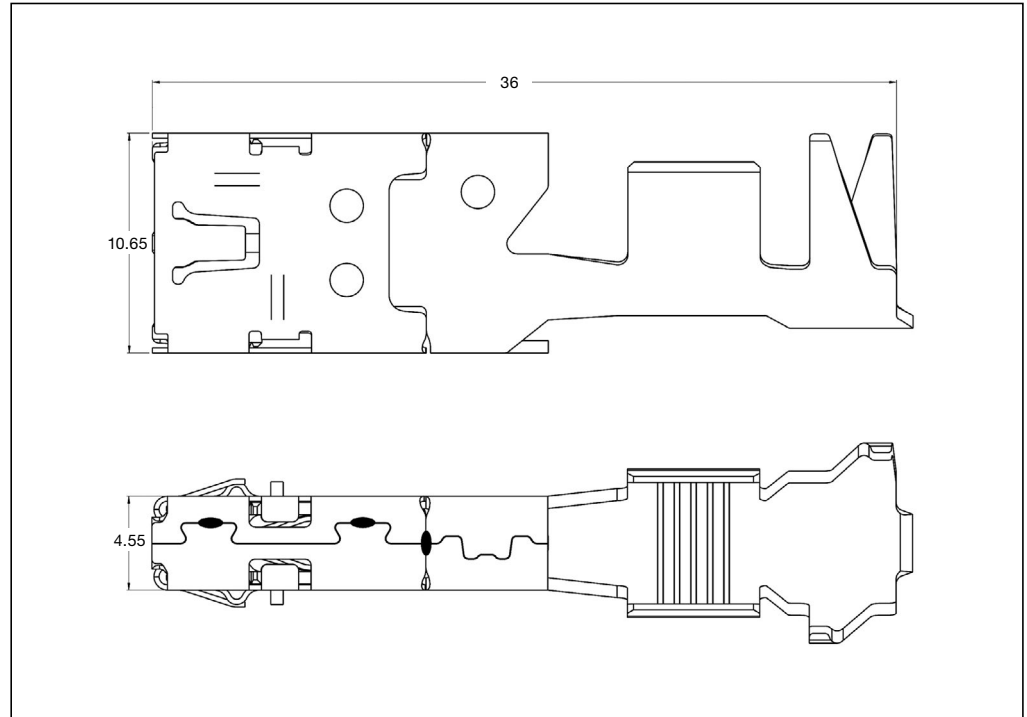
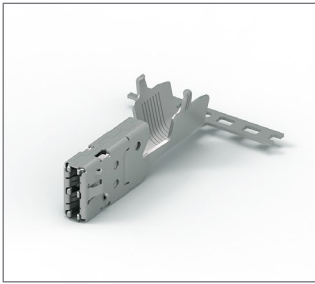
*) **Material and Finish:** xxx-1 = CuNiSi, pre-tin plated
xxx-3 = CuNiSi, selective silver plated

Note: All part numbers are
RoHS and ELV compliant

◆) The pre- and suffix for the
applicators depends on the
applied termination equipment

◇) In case of Tooling query
please contact your local
TE Connectivity representative

Receptacle Contacts



Technical Features

Wire Size Range:

>2.5 – 16mm²

Current Carrying Capacity:

up to 90 Ampere
(@ 80° C ambient temperature)

Total Temperature Range:

–40° C ... +150° C (tin plated)
–40° C ... +180° C (silver plated)

Extraction Tool*:
2-1579028-2

Product Drawing:
2208761

Product Specification:
108-94421

Application Specification:
114-94285

* The option which extraction tool is the right tool for the application is dependent on the assembly of the contact and the connector.

Standard Receptacle Contact (SRC)

Wire Size Range (mm ²)	Insulation Diameter (mm) FLR	Part Number	Material and Finish *)	Applicator ◆	Hand Tool	Die Set
>2.5 – 4.0	2.7 – 3.7	2208762	-1 /-3	x-2266457-x		
6.0 – 10.0	4.0 – 6.5	2208763	-1 /-3	x-2266456-x	2-1579028-2	On request ◇
16	8.3 max.	2208764	-1 /-3	x-2276053-x		

Receptacle Contacts with Single Wire Sealing (SWS) System

Wire Size Range (mm ²)	Insulation Diameter (mm) FLR	Part Number	Material and Finish *)	Applicator ◆	Hand Tool	Die Set
>2.5 – 4.0	2.7 – 3.7	2208765	-1 /-3	x-2266455-x	2-1579028-2	On request ◇
6.0 – 10.0	4.0 – 6.5	2208766	-1 /-3	x-2266257-x		

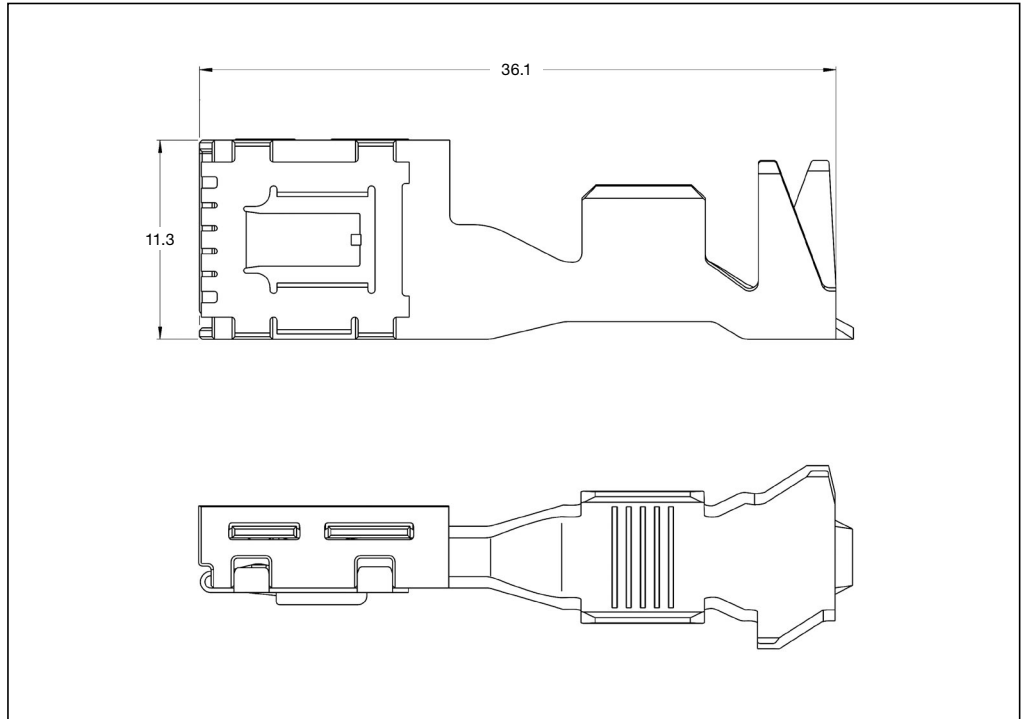
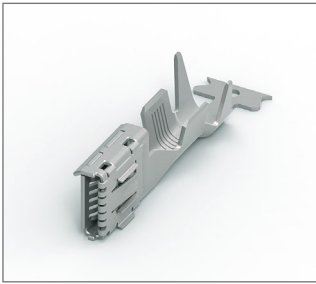
*) **Material and Finish:** xxx-1 = CuNiSi, pre-tin plated
xxx-3 = CuNiSi, selective silver plated

Note: All part numbers are RoHS and ELV compliant

◆ The pre- and suffix for the applicators depends on the applied termination equipment

◇ In case of Tooling query please contact your local TE Connectivity representative

Receptacle Contacts



Technical Features

- Contact Material:**
CuNiSi/CuSn
- Wire Size Range:**
>10 – 16 mm²
- Current Carrying Capacity:**
up to 100 Ampere
(at 80° C ambient temperature)
- Total Temperature Range:**
–40° C ... +130° C (tin plated)
–40° C ... +150° C (silver plated)
- Inserting Force:**
Max. 35 N
- Extraction Force:**
Max. 10 N

Product Drawing:
1823044

Product Specification:
108-94150

Application Specification:
114-18945

Standard Receptacle Contact (SRC)

Wire Size Range (mm ²)	Insulation Diameter (mm) FLR	Part Number	Material and Finish *)	Applicator ♦)	Hand Tool	Die Set
>10	5.8 – 6.8	1-1823032	-1 /-3	x-1893256-x	On request ◇)	On request ◇)
16	7.5 – 8.1	1-1823034	-1 /-3	x-1893255-x		

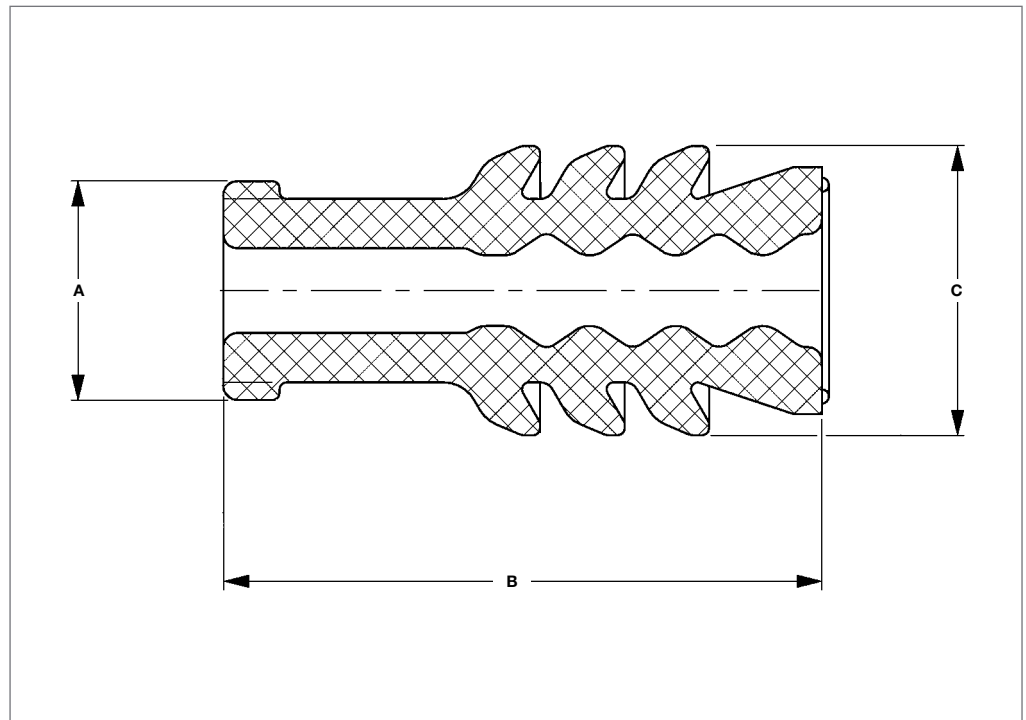
*) **Material and Finish:** xxx-1 = CuNiSi, pre-tin plated
xxx-3 = CuNiSi, selective silver plated

Note: All part numbers are RoHS and ELV compliant

♦) The pre- and suffix for the applicators depends on the applied termination equipment

◇) In case of Tooling query please contact your local TE Connectivity representative

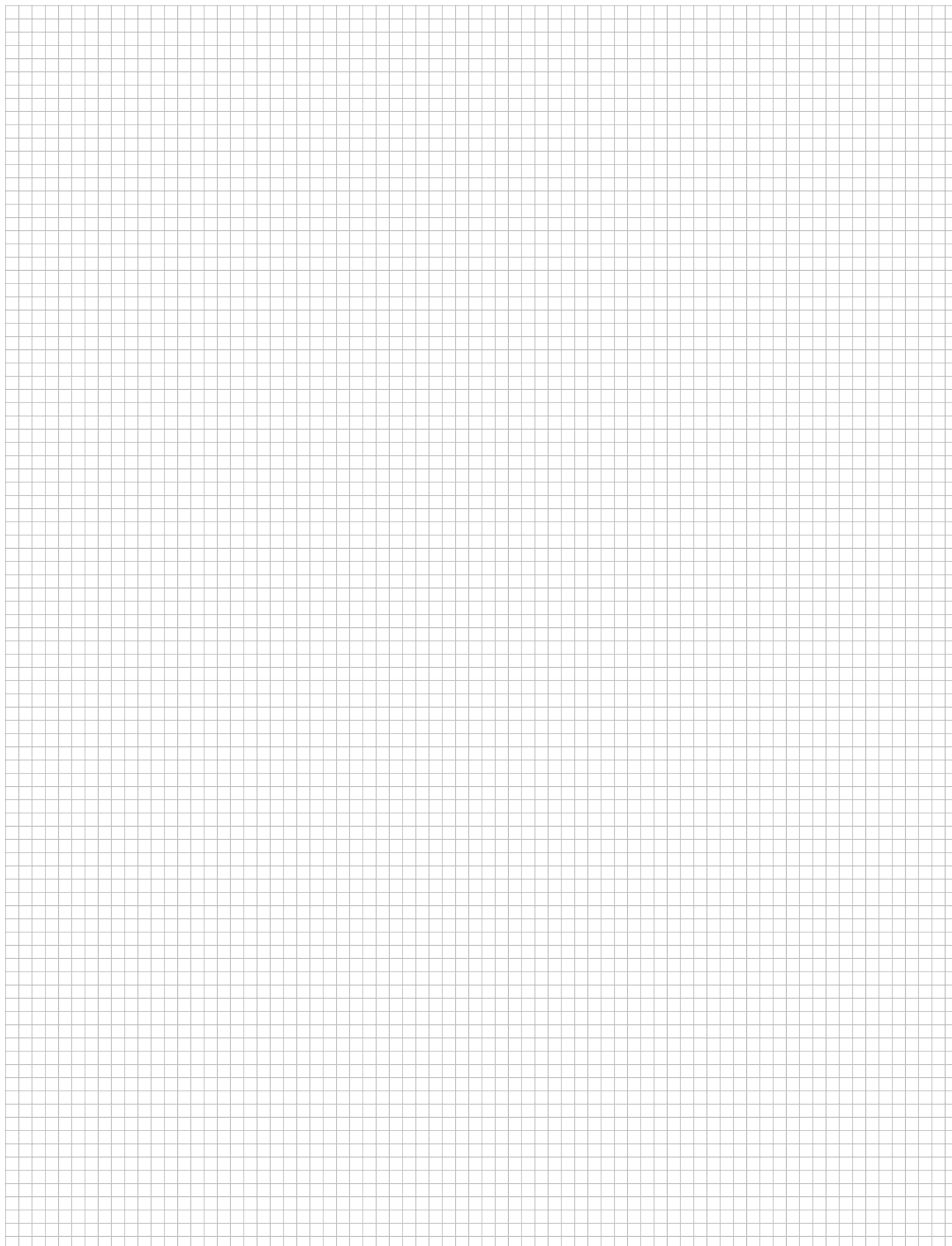
Single Wire Seals and Sealing Plugs for MCON Contacts



Single Wire Seals and Sealing Plugs for MCON Contacts

Cavity Diameter (mm)	Insulation Diameter (mm) FLR	Color	Part Number	A	Dimensions B	C	Used for
3.55	0.9-1.4	Yellow	967067-2	3.1	8.5	4.1	MCON 1.2 / HPF 1.2
	1.4-2.1	Green	967067-1				MCON 1.2 / HPF 1.2
	1.4-1.9	Red	2098582-1*				MCON 1.2
	1.9-2.1	Yellow	964972-1				MCON 1.2
	Sealing Plug	Blue	967056-1				MCON 1.2 / HPF 1.2
3.95	0.9-1.9	Gray	963142-1	3.1	8.6	4.7	MCON 1.2
	1.9-2.4	Green	967067-1				
	Sealing Plug	White	963143-1				
4.9	1.4-2.1	Blue	828904-2	3.4	7.8	5.6	MCON 2.8
	2.2-3.0	White	828905-1				
	Sealing Plug	Natural	828922-1				
6.4	3.4-3.7	Green	828985-1	3.4	7.8	7.2	MCON 2.8
	Sealing Plug	Brown	828986-1				
8.5	3.4-3.7	Green	967608-1	4.1	9.3	9.4	MCON 6.3
	4.0-4.3	Blue	1719972-1	5.5			

*) Seals for 150° C applications. Wire used must be able to withstand 150° C for 1008 hours.



POWERTRAIN SYSTEMS



SAFETY & SECURITY SYSTEMS



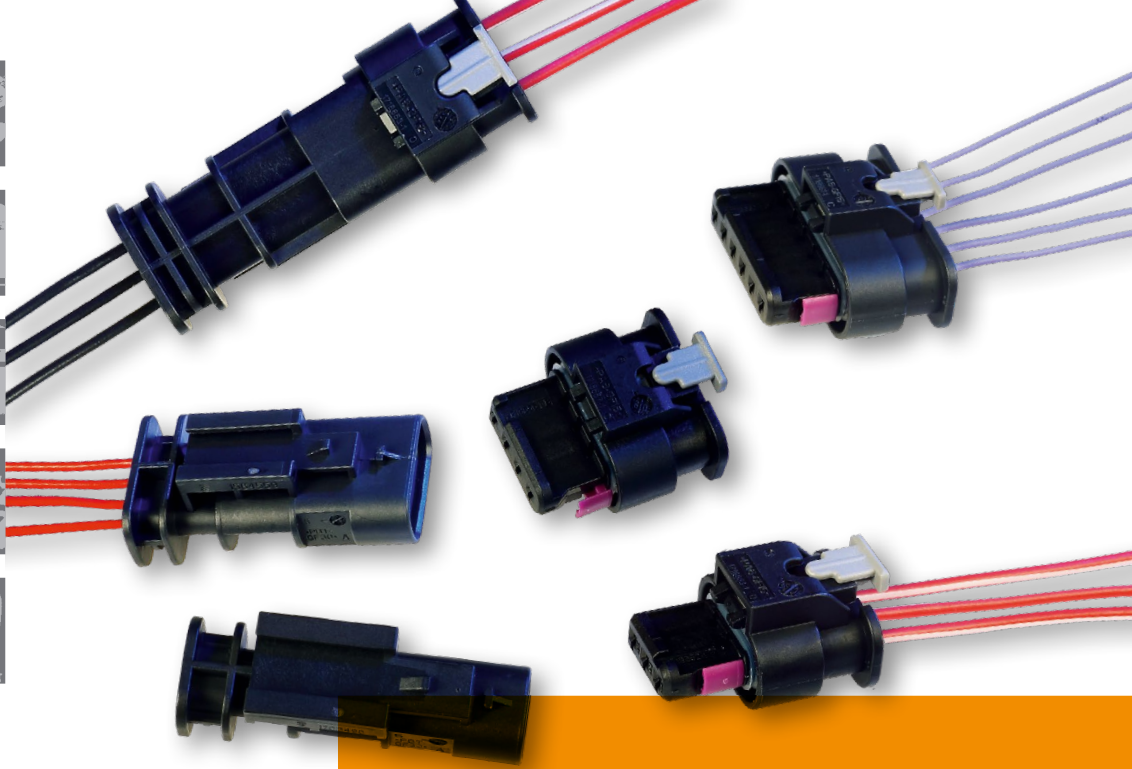
CONVENIENCE



DRIVER INFORMATION



BODY & CHASSIS SYSTEMS



HOUSINGS AND CONNECTORS

MCON INTERCONNECTION SYSTEM INTRODUCTION

MCON connectors offer high reliability for use in the automotive industry

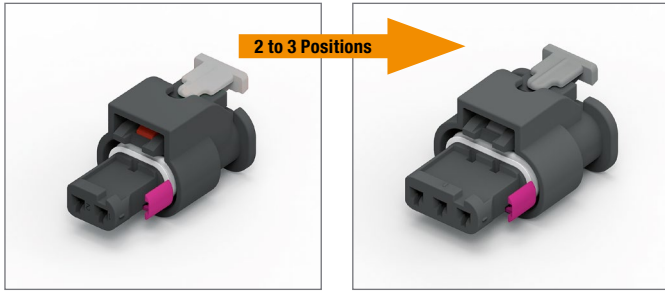
The new generation MCON connector system offers receptacle and tab housings with capability for waterproofing and resistance to conditions of extreme vibration.

The system is designed for electronic and electrical applications in motor vehicles, where vibrations and mechanical stress, in the long term, can affect the quality on the contact system.

Features

- CPA (Connector Position Assurance) capability
- High reliability status - supported for long term use
- High vibration level supported
- Perfect design to avoid quality problems, reduce manufacturing and service cost
- Integrated secondary locking device delivered in pre-locked position
- Wire-to-Wire sealed and un-sealed connectors (SWS)
- Polarization, several keyings
- Locking mechanism for smaller connectors/ mating aid for higher numbers of ways

Sealed MCON 1.2 Receptacle Housing for Locking Lance Contacts - 2 to 3 Positions – up to 125° C



Technical Features

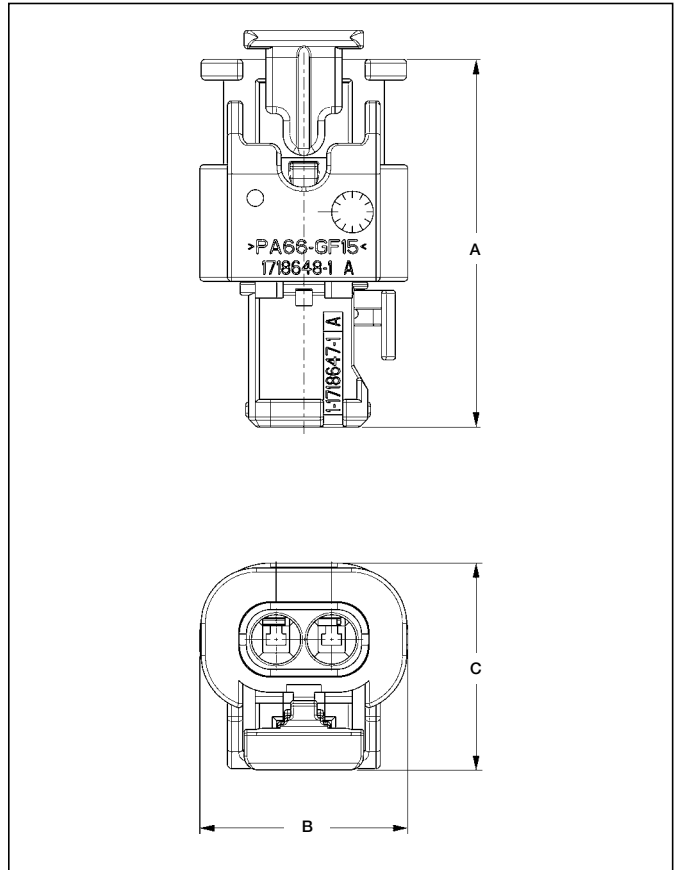
Wire Size Range:
max. 1.0mm²

Total Temperature Range:
125° C

Product Specification:
108-18969

Application Specification:
114-18861

Extraction Tool:
5-1579007-3

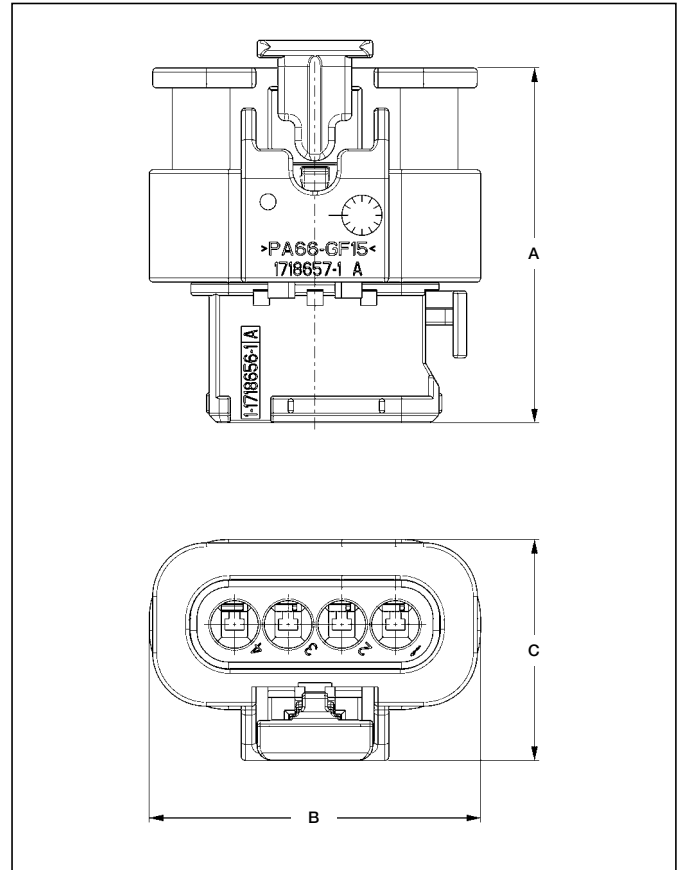
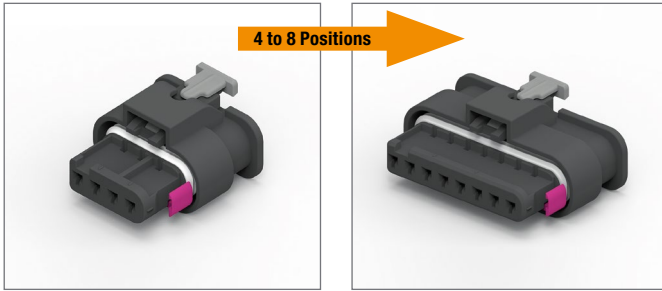


Sealed MCON 1.2 Receptacle Housing for Locking Lance Contacts - 2 to 3 Positions

No. of Positions	Keying Options	Housing Color	CPA Yes / No	180° turned Outer Housing	Part Number	Dimensions (mm)			Mating Tab Housing
						A	B	C	
2	A	Black	Yes	-	1-1718643-1	26.5	15	14.8	1-1703498-x
			No	-	1-1670916-1				1-1703498-x
			Yes	Yes	1-1718888-1				N/A
			No	Yes	1-1670915-1				N/A
	B	Natural	Yes	-	2-1718643-1				2-1703498-x
			No	-	2-1670916-1				2-1703498-x
			Yes	Yes	2-1718888-1*				N/A
			No	Yes	2-1670915-1*				N/A
	C	Blue	Yes	-	3-1718643-1				N/A
			No	-	3-1670916-1*				N/A
			Yes	Yes	3-1718888-1*				N/A
			No	Yes	3-1670915-1*				N/A
3	A	Black	Yes	-	1-1718644-1	26.5	19	14.8	1-1703494-x
			No	-	1-1670917-1				1-1703494-x
	B	Natural	Yes	-	2-1718644-1				2-1703494-x
			No	-	2-1670917-1				2-1703494-x
	C	Blue	Yes	-	3-1718644-1*				N/A
			No	-	3-1670917-1*				N/A

* on request

Sealed MCON 1.2 Receptacle Housing for Locking Lance contacts - 4 to 8 Positions – up to 125° C



Technical Features

Wire Size Range:
max. 1.0mm²

Total Temperature Range:
125° C

Product Specification:
108-18969

Application Specification:
114-18861

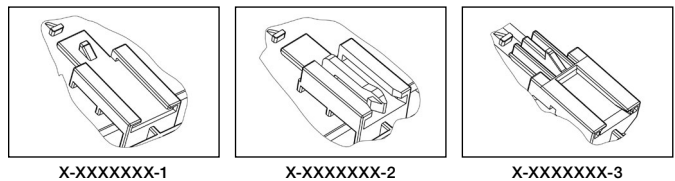
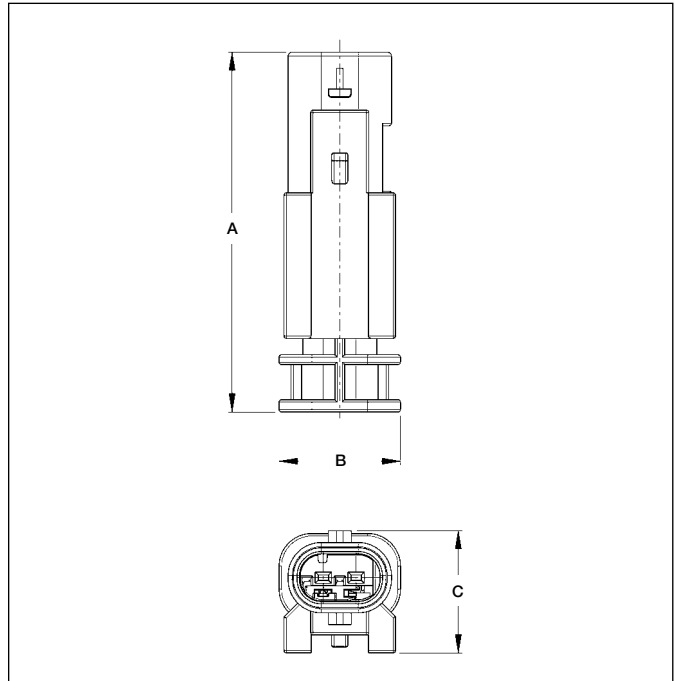
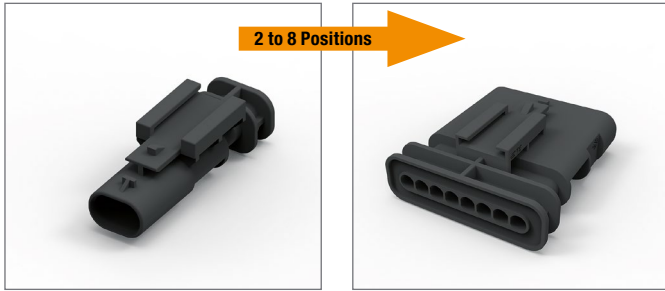
Extraction Tool:
5-1579007-3

Sealed MCON 1.2 Receptacle Housing for Locking Lance Contacts - 4 to 8 Positions

No. of Positions	Keying Options	Housing Color	CPA Yes / No	180° turned Outer Housing	Part Number	Dimensions (mm)			Mating Tab Housing
						A	B	C	
4	A	Black	Yes	-	1-1718645-1	26.5	24.7	16.5	1-1564559-x
			No	-	1-1670918-1				1-1564559-x
			No	Yes	1-2286471-1				N/A
	B	Natural	Yes	-	2-1718645-1				2-1564559-x
			No	-	2-1670918-1				2-1564559-x
			Yes	-	3-1718645-1*				N/A
C	Blue	No	-	3-1670918-1*	N/A				
5	A	Black	Yes	-	1-1718806-1	26.5	28.7	16.5	1-2141520-x
			No	-	1-1670921-1				1-2141520-x
			Yes	-	2-1718806-1				2-2141520-x
	B	Natural	No	-	2-1670921-1				2-2141520-x
			Yes	-	3-1718806-1*				N/A
			No	-	3-1670921-1*				N/A
C	Blue	Yes	-	1-1718646-1	26.5	32.7	16.5	1-2141324-x	
		No	-	1-1670919-1				1-2141324-x	
		Yes	-	2-1718646-1*				N/A	
		No	-	2-1670919-1*				N/A	
6	A	Black	Yes	-	1-1719393-1	26.5	40.7	16.5	1-1703506-1
			No	-	1-1670920-1				1-1703506-1
			Yes	-	2-1719393-1*				N/A
	B	Natural	No	-	2-1670919-1*				N/A
			Yes	-	1-1719393-1				1-1703506-1
			No	-	1-1670920-1				1-1703506-1
8	A	Black	Yes	-	1-1719393-1	26.5	40.7	16.5	1-1703506-1
			No	-	1-1670920-1				1-1703506-1
	B	Natural	Yes	-	2-1719393-1*				N/A
			No	-	2-1670920-1*				N/A

* on request

Sealed MCON 1.2 Tab Housing for Locking Lance Contacts - 2 to 8 Positions – up to 125° C



Technical Features

Wire Size Range:
max. 1.0mm²

Total Temperature Range:
125°C

Product Specification:
N/A

Application Specification:
114-18910-1

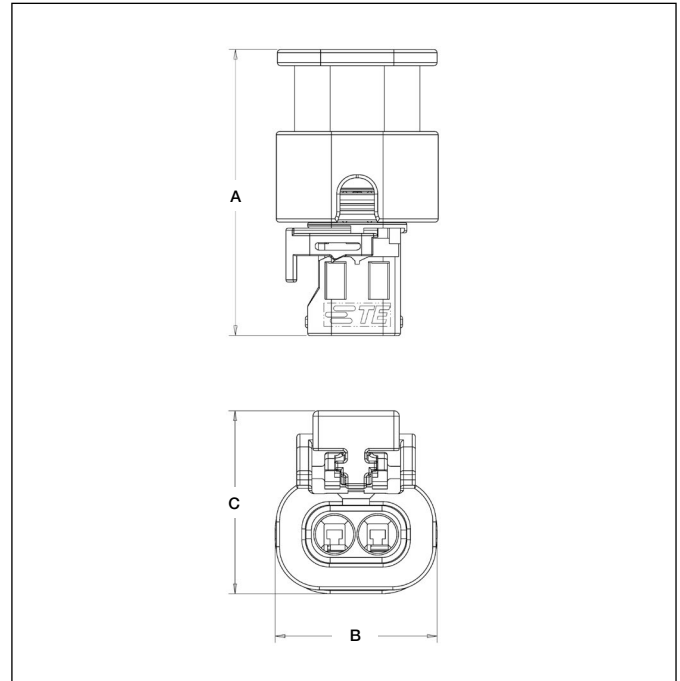
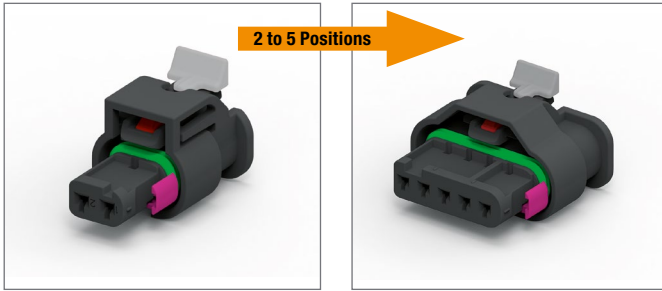
Extraction Tool:
1-1579028-5

Sealed MCON 1.2 Tab Housing for Locking Lance Contacts - 2 to 8 Positions

No. of Positions	Keying Options	Housing Color	Part Number	Dimensions (mm)			Mating Rec Housing	
				A	B	C		
2	A	Black	1-1703498-1	44	14.8	14.95	1-1718643-1 or 1-1670916-1	
			1-1703498-2			17.05		
			1-1703498-3			17.1		
	B	Gray	2-1703498-1			14.95		
			2-1703498-2			17.05		2-1718643-1 or 2-1670916-1
			2-1703498-3			17.1		
3	A	Black	1-1703494-1	44	18.8	14.95	1-1718644-1 or 1-1670917-1	
			1-1703494-2			17.05		
			2-1703494-1			14.95		
	B	Gray	2-1703494-2			17.05		2-1718644-1 or 2-1670917-1
			2-1703494-1			17.05		
			2-1703494-2			17.1		
4	A	Black	1-1564559-1	44	24.4	16.3	1-1718645-1 or 1-1670918-1	
			1-1564559-2			18.1		
			2-1564559-1			16.3		
	B	Gray	2-1564559-2*			18.1		2-1718645-1 or 2-1670918-1
			1-2141520-1			16.3		
			1-2141520-2*			18.1		
5	A	Black	2-2141520-1	44	28.2	16.3	1-1718806-1 or 1-1670921-1	
			1-2141520-2*			18.1		
			2-2141520-1			16.3		
	B	Gray	2-2141520-1			18.1		2-1718806-1 or 2-1670921-1
			2-2141520-2*			16.3		
			1-2141324-1			18.1		
6	A	Black	1-2141324-1	44	32.2	16.3	1-1718646-1 or 1-1670919-1	
			1-2141324-2*			18.1		
			2-2141324-1*			16.3		
	B	Gray	2-2141324-2*			18.1		2-1718646-1 or 2-1670919-1
			1-1703506-1			16.6		
			1-1703506-2			18.7		
8	A	Black	2-1703506-1	44	40.2	16.6	1-1719393-1 or 1-1670920-1	
			1-1703506-2			18.7		
			2-1703506-1			16.6		
	B	Gray	2-1703506-2			18.7		2-1719393-1 or 2-1670920-1
			1-1703506-1			16.6		
			2-1703506-2			18.7		

* on request

Sealed MCON 1.2 Gen2 Receptacle Housing for Locking Lance Contacts – up to 150° C



Technical Features

Wire Size Range:
max. 1.0mm²

Total Temperature Range:
150° C

Product Specification:
108-18969

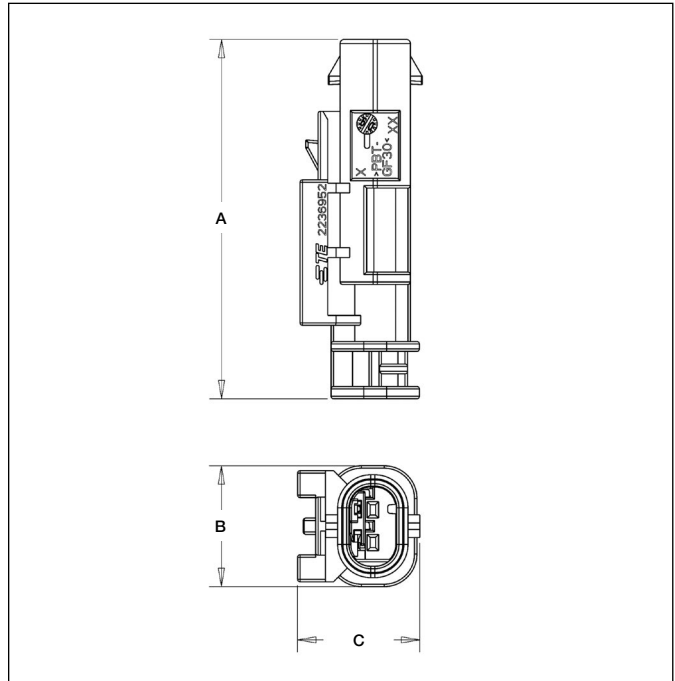
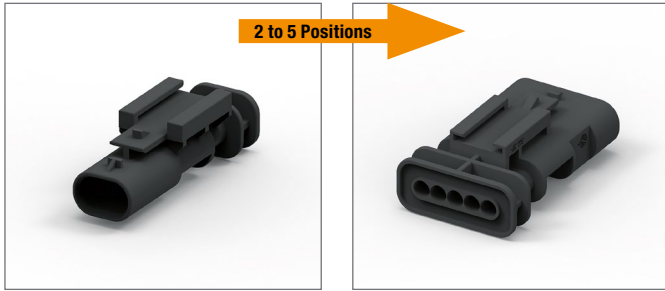
Application Specification:
114-18861

Extraction Tool:
5-1579007-3

Sealed MCON 1.2 Gen2 Receptacle Housing for Locking Lance Contacts

No. of Positions	Keying Options	Housing Color	CPA Yes / No	Part Number	Dimensions (mm)			Mating Tab Housing
					A	B	C	
2	A	Black	Yes	1-2236896-5	26.5	14.8	14.8	1-2236952-5
			No	1-2236896-1				1-2236952-5
	B	Natural	Yes	2-2236896-5				2-2236952-5
			No	2-2236896-1				2-2236952-5
	C	Blue	Yes	3-2236896-5				N/A
			No	3-2236896-1				N/A
3	A	Black	Yes	1-2236343-5	26.5	19	14.8	1-2236953-5
			No	1-2236343-1				1-2236953-5
	B	Natural	Yes	2-2236343-5				2-2236953-5
			No	2-2236343-1				2-2236953-5
	D	Violett	Yes	4-2236343-5				N/A
			No	4-2236343-1				N/A
5	A	Black	Yes	1-2236898-5	26.5	28.7	16.5	1-2236954-5
			No	1-2236898-1				1-2236954-1
	B	Natural	Yes	2-2236898-5				2-2236954-5
			No	2-2236898-1				2-2236954-1

Sealed MCON 1.2 Gen2 Tab Housing for Locking Lance Contacts – up to 150° C



Technical Features

Wire Size Range:
max. 1.0mm²

Total Temperature Range:
150° C

Product Specification:
108-18969

Application Specification:
114-18861

Extraction Tool:
5-1579007-3

Sealed MCON 1.2 Gen2 Tab Housing for Locking Lance Contacts

No. of Positions	Keying Options	Housing Color	Part Number	Dimensions (mm)			Mating Rec Housing
				A	B	C	
2	A	Black	1-2236952-5	44	14.8	14.95	1-2236896-5 or 1-2236896-1
	B	Gray	2-2236952-5				2-2236896-5 or 2-2236896-1
3	A	Black	1-2236953-5	44	18.8	14.95	1-2236343-5 or 1-2236343-1
	B	Gray	2-2236953-5				2-2236343-5 or 2-2236343-1
5	A	Black	1-2236954-5	44	28.2	16.3	1-2236898-5 or 1-2236898-1
	B	Gray	2-2236954-5				2-2236898-5 or 2-2236898-1

Sealed MCON 1.2 V4 Series / HPF 1.2 Series - 2 Positions – up to 150°C

Short Shroud



Long Shroud



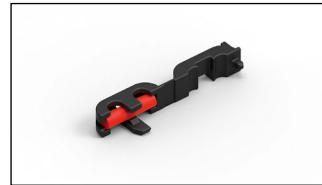
Technical Features

Wire Size Range:
max. 1.0mm²

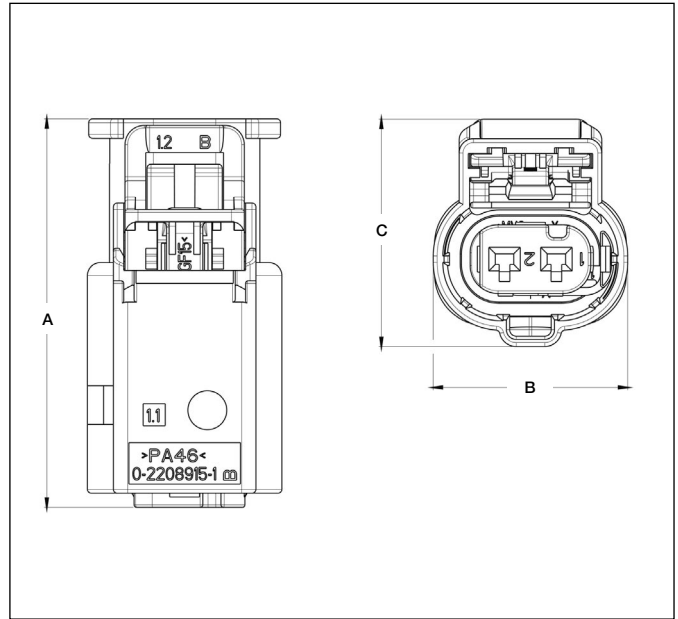
Total Temperature Range:
150°C

Product Specification:
108-94415

Application Specification:
114-94316



Extraction Tool:
5-1579007-3
1-1579007-4



Sealed MCON 1.2 V4 series

No. of Positions	Keying Options	Housing Color	Long / Short Shroud	Vibration Level	Part Number	Dimensions (mm)			Used Cable Fixation	Used Terminal System
						A	B	C		
2	A	Black	Long	V4	5-2208918-1	30	15.0	16.05	2208939-1	MCON 1.2 LL
			Short		5-2236115-1					
	B	Brown	Long		5-2208918-2					
			Short		5-2236115-2					

Short Shroud



Long Shroud



Technical Features

Wire Size Range:
max. 1.0mm²

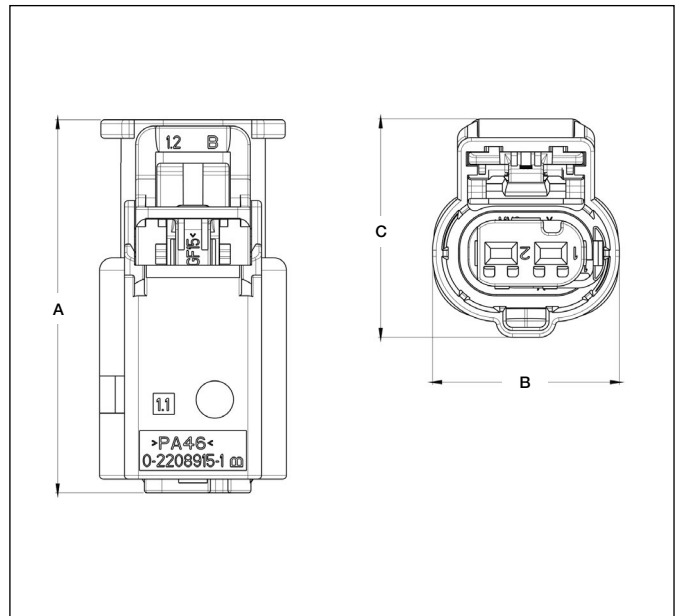
Temperature Range:
150°C

Product Specification:
108-94415

Application Specification:
114-94316



Extraction Tool:
5-1579007-3
1-1579007-4



Sealed HPF 1.2 Series - 2 Positions

No. of Positions	Keying Options	Housing Color	Long / Short Shroud	Vibration Level	Part Number	Dimensions (mm)			Used Cable Fixation	Used Terminal System
						A	B	C		
2	A	Black	Long	V5	5-2208920-1	30	15.0	16.05	2208939-1	HPF 1.2
			Short		5-2236116-1					
	B	Brown	Long		5-2208920-2					
			Short		5-2236116-2					

Sealed MCON 1.2 Receptacle Housing for Clean Body Contacts – up to 125° C

Technical Features

Wire Size Range:

max. 1.0mm² (20 –16 AWG)

Total Temperature Range:

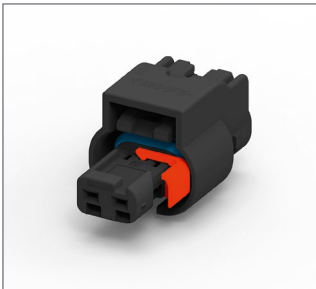
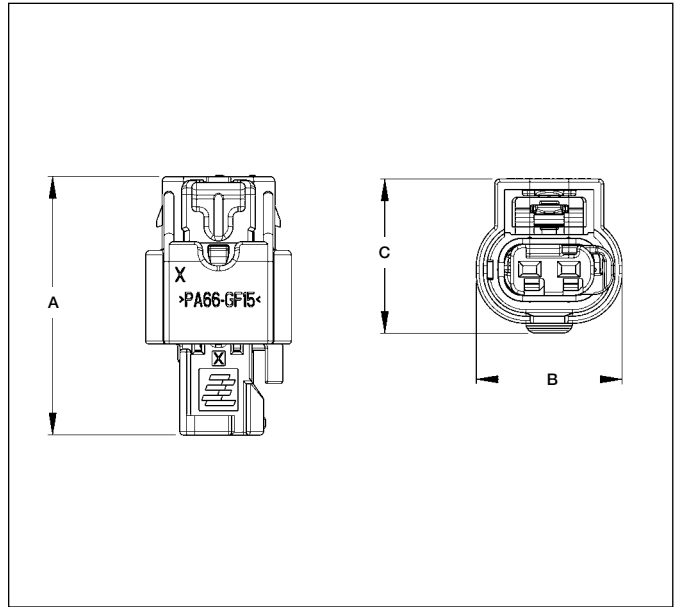
125° C

Product Specification:

N/A

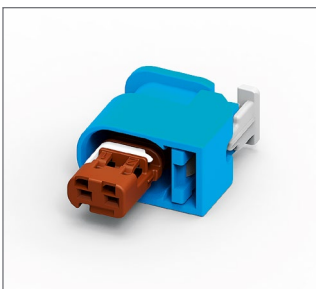
Application Specification:

408-8928



Sealed MCON 1.2 Receptacle Housing for Clean Body Contacts

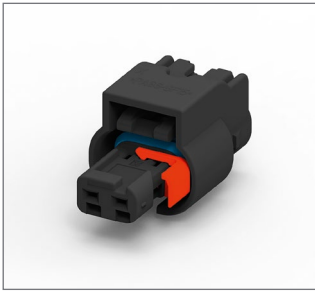
No. of Positions	Keying Options	Housing Color	CPA Yes / No	Part Number	Dimensions (mm)		
					A	B	C
2	A	Black	No	1-1924067-1	26.5	15	15.8
			Yes / Violet	1-1924067-9			
			Yes / Red	4-1924067-1			
	B	Natural	No	1-1924067-2			
			Yes / Violet	2-1924067-0			
			Yes / Red	4-1924067-2			
C	Blue	No	1-1924067-3				
		Yes / Violet	2-1924067-1				
		Yes / Red	4-1924067-3				
6	A	Black	No	1924292-1	26.5	32.7	17.5
			Yes	4-1924292-1			
	B	Natural	No	1924292-2			
			Yes	4-1924292-2			
	C	Blue	No	1924292-3			
			Yes	4-1924292-3			
D	Gray	No	1924292-4				
		Yes	4-1924292-4				



Sealed MCON 1.2 Receptacle Housing for Clean Body Contacts - Low Profile Sidelatch

No. of Positions	Keying Options	Housing Color	CPA Yes / No	Part Number	Dimensions (mm)		
					A	B	C
2	A	Brown	No	2138873-1	26.5	18.8	11
			Yes	2138873-4			
	B		No	2138873-2			
			Yes	2138873-5			
	C		No	2138873-3			
			Yes	2138873-6			

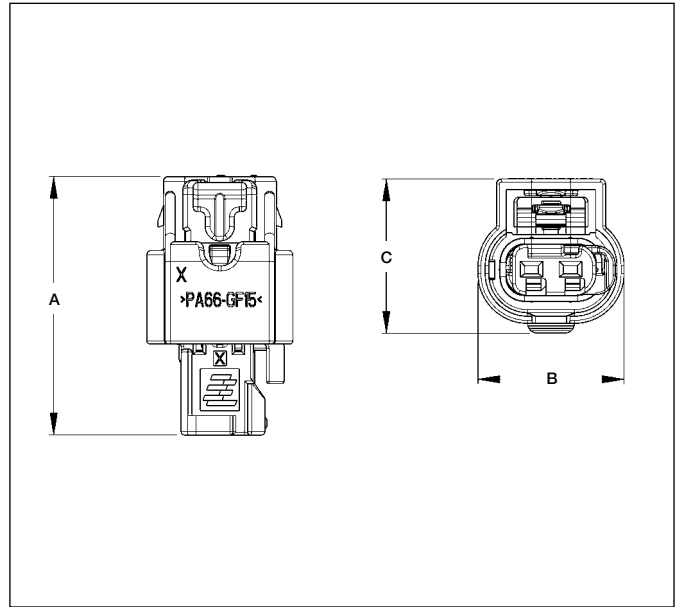
Sealed MCON 1.2 Receptacle Housing for Clean Body Contacts – up to 150° C



Technical Features

Wire Size Range:
max. 1.0mm² (20–16 AWG)
Total Temperature Range:
150° C

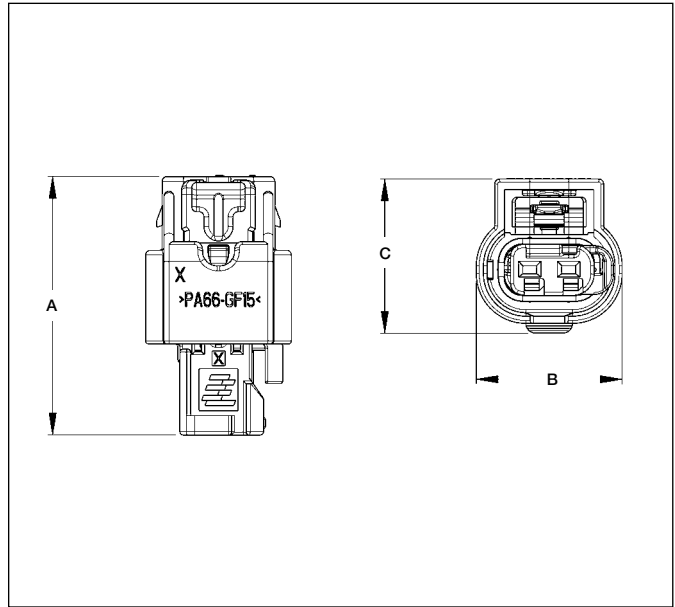
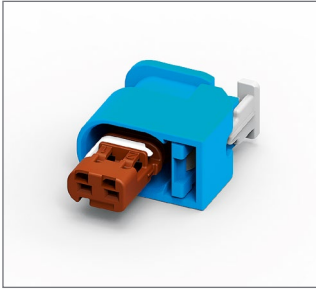
Product Specification:
N/A
Application Specification:
408-8928



Sealed MCON 1.2 Receptacle Housing for Clean Body Contacts

No. of Positions	Keying Options	Housing Color	CPA Yes / No	Part Number	Dimensions (mm)		
					A	B	C
2	A	Brown	No	2098557-1	26.5	15	15.8
			Yes	4-2098557-1			
	B		No	2098557-2			
			Yes	4-2098557-2			
	C		No	2098557-3			
			Yes	4-2098557-3			
3	A	Brown	No	2098541-1	26.5	19	15.6
			Yes	4-2098541-1			
	B		No	2098541-2			
			Yes	4-2098541-2			
	C		No	2098541-3			
			Yes	4-2098541-3			
	D		No	2098541-4			
			Yes	4-2098541-4			
4	A	Black	No	1-1456426-1	26.5	24.7	16.1
			Yes	4-1456426-1			
	B		No	1-1456426-2			
			Yes	4-1456426-2			
	C		No	1-1456426-3			
			Yes	4-1456426-3			
	D		No	1-1456426-4			
			Yes	4-1456426-4			
6	A	Natural	No	2098559-1	26.5	32.7	17.5
			Yes	4-2098559-1			
	B		No	2098559-2			
			Yes	4-2098559-2			
	C		No	2098559-3			
			Yes	4-2098559-3			
	D		No	2098559-4			
			Yes	4-2098559-4			

Sealed MCON 1.2 Receptacle Housing for Clean Body Contacts - Low Profile Sidelatch –up to 150°C



Technical Features

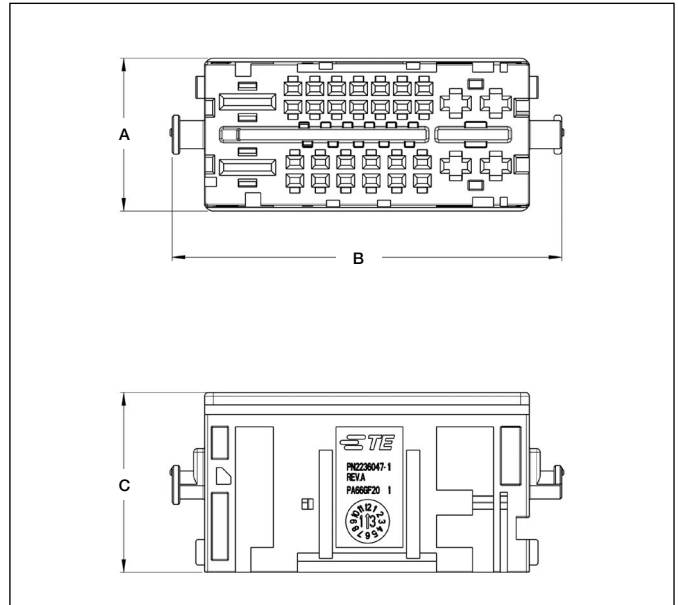
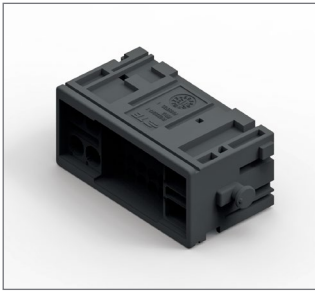
Wire Size Range:
max. 1.0mm² (20 – 16 AWG)
Total Temperature Range:
150°C

Product Specification:
N/A
Application Specification:
408-8928

Sealed MCON 1.2 Receptacle Housing for Clean Body Contacts

No. of Positions	Keying Options	Housing Color	CPA Yes / No	180° turned Outer Housing	Part Number	Dimensions (mm)		
						A	B	C
2	A	Brown	No	–	2098641-1	26.5	19.9	11.2
	B			–	2098641-2			
	C			–	2098641-3			
	A			Yes	2098641-4			
	A		Yes	2098641-5				
	A		Yes	–	2098641-6			
	B			–	2098641-7			
	C			–	2098641-8			

Sealed MCON 1.2 32 Positions Mixed Housing

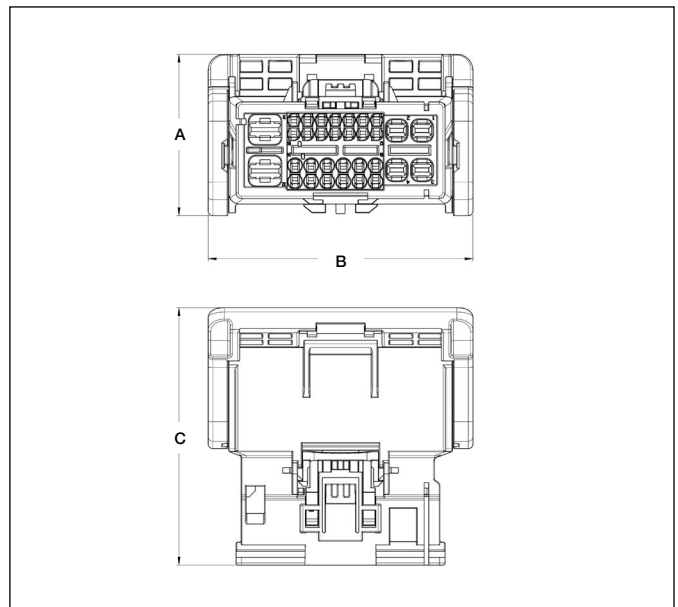


Technical Features

No. of Positions: 32	Used Terminals Systems: MCON 1.2 MCON 2.8 AMP MCP 6.3
Wire Size Range: 0.25 – 6.0mm ²	Extraction Tool: MCON 1.2 5-1579007-3 MCON 2.8 5-1579008-2 AMP MCP 6.3 1-1579007-3
Product Specification: 108-20329	
Application Specification: 411-20134	

32 Positions Mixed Receptacle Housing

No. of Positions	Keying Options	Housing Color	Part Number	Dimensions			Required Secondary Lock	Mating Tab Housing
				A	B	C		
32	A	Black	2236047-1	24.7	54.1	21	2236048-1	2236046-7 or 1-2236046-0
	B	Gray	2236047-2					2236046-8 or 1-2236046-1



Technical Features

No. of Positions: 32	Used Terminals Systems: MCON 1.2 Tab Tab 2.8 x 0,8 Tab 5.8 x 0,8
Wire Size Range: 0.25 – 6.0mm ²	Extraction Tool: MCON 1.2 5-1579007-3 Tab 2.8 1-1579007-6 Tab 5.8 1-1579007-6
Product Specification: 108-20329	
Application Specification: 411-20134	

32 Positions Mixed Tab Housing

No. of Positions	Keying Options	Housing Color	CPA Yes / No	Part Number	Dimensions (mm)			Required Secondary Lock	Mating Receptacle Housing
					A	B	C		
32	A	Black	–	2236046-7	56	57.5	35.1	2236048-1	2236047-1
			Yes	1-2236046-0					2236047-1
	B	Grey	–	2236046-8					2236047-2
			Yes	1-2236046-1					2236047-2

MCON 1.2 Sealed Wire-to-wire or Bulkhead Housing

Technical Features

No. of Positions:
10

Wire Size Range:
0.35 – 1.5mm²

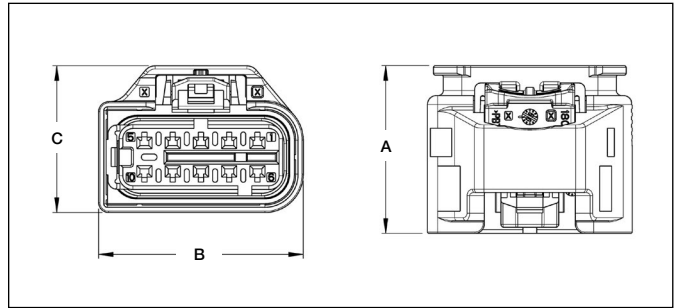
Product Specification:
108-15398

Application Specification:
411-15748

Extraction Tool:
5-1579007-3
8-1579018-4

Insertion Tool:
5-1579018-6
8-1579018-6

Locking Tool:
8-1579018-5 or
9-1579018-6



10 Positions MCON 1.2 Sealed Receptacle Housing

No. of Positions	Keying Options	Housing Color	Part Number	Dimensions (mm)			Mating Tab Housing
				A	B	C	
10	A	Black	1801600-1	26.7	32.6	23.3	1801606-1
	B	Grey	1801600-2				1801606-2
	C	Blue	1801600-3				1801606-3
	D	Green	1801600-4				1801606-4
	E	Red	1801600-5				1801606-5

Technical Features

No. of Positions:
10

Wire Size Range:
0.35 – 1.5mm²

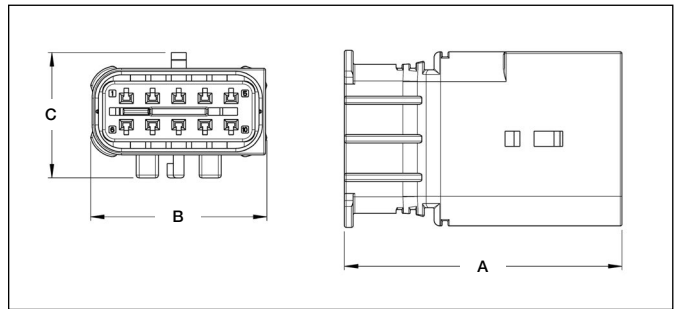
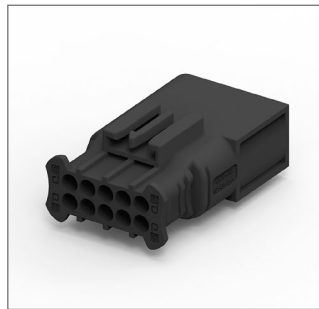
Product Specification:
108-15398

Application Specification:
411-15748

Extraction Tool:
5-1579007-3
8-1579018-4

Insertion Tool:
5-1579018-6
8-1579018-6

Locking Tool:
8-1579018-5 or
9-1579018-6



10 Positions MCON 1.2 Sealed Tab Housing

No. of Positions	Keying Options	Housing Color	Part Number	Dimensions (mm)			Mating Tab Housing
				A	B	C	
10	A	Black	1801606-1	47.7	30.3	21.5	1801600-1
	B	Grey	1801606-2				1801600-2
	C	Blue	1801606-3				1801600-3
	D	Green	1801606-4				1801600-4
	E	Red	1801606-5				1801600-5

Technical Features

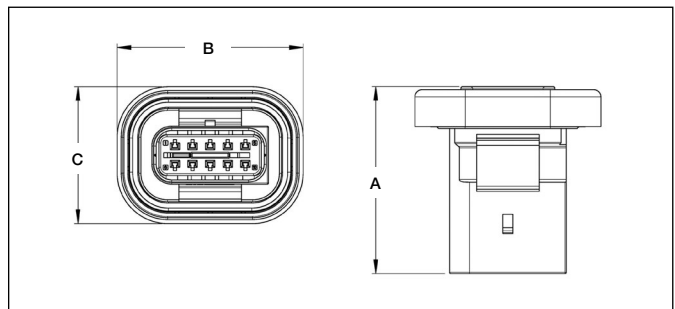
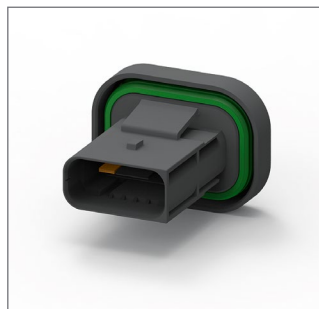
No. of Positions:
10

Wire Size Range:
0.35 – 1.5mm²

Product Specification:
108-15405

Application Specification:
N/A

Extraction Tool:
5-1579007-3



10 Positions MCON 1.2 Bulkhead

No. of Positions	Keying Options	Housing Color	Part Number	Dimensions (mm)			Mating Rec Housing
				A	B	C	
10	A	Black	1801610-1	47.7	47.5	34.9	1801600-1
	B	Grey	1801610-2				1801600-2

18 Positions MCON 1.2 + 2.8 Mixed Wire-to wire Connector

Technical Features

No. of Positions:
18

Wire Size Range:
0.35 – 1.0mm²

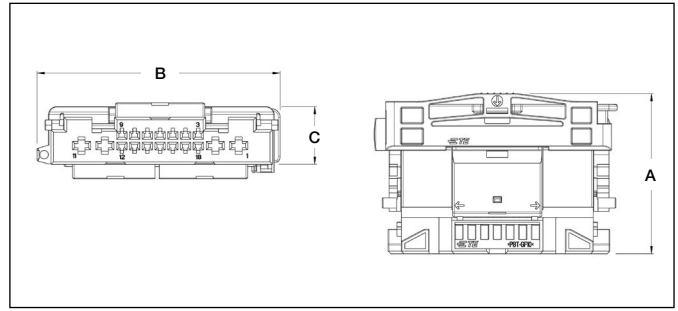
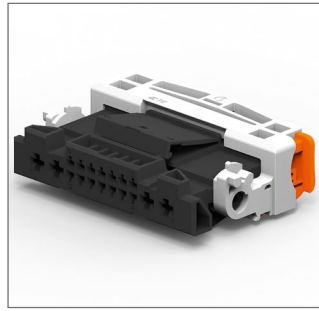
Product Specification:
108-15431

Application Specification:
408-15014

Extraction Tool:
5-1579007-3

5-1579008-2

8-1579018-4



18 Positions MCON 1.2 + 2.8 Mixed Receptacle Housing

No. of Positions	Keying Options	Housing Color	Part Number	Dimensions			Mating Tab Housing
				A	B	C	
18	A	Black	1801735-1	37.5	57.2	17.8	1801739-1
	B	Gray	1801735-2				1801739-2
	C	Blue	1801735-3				1801739-3
	D	Brown	1801735-4				1801739-4
	E	Purple	1801735-5				1801739-5

Technical Features

No. of Positions:
18

Wire Size Range:
0.35 – 1.0mm²

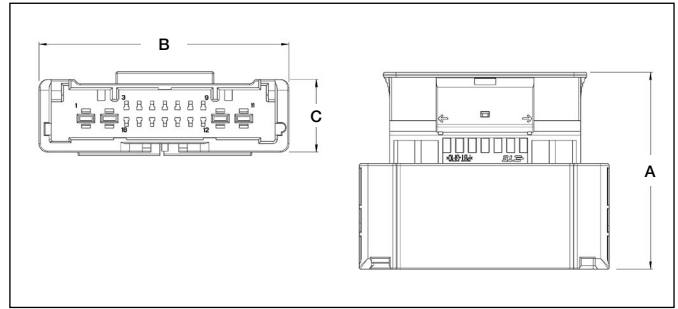
Product Specification:
108-15431

Application Specification:
408-15014

Extraction Tool:
5-1579007-3

1-1579007-6

8-1579018-4

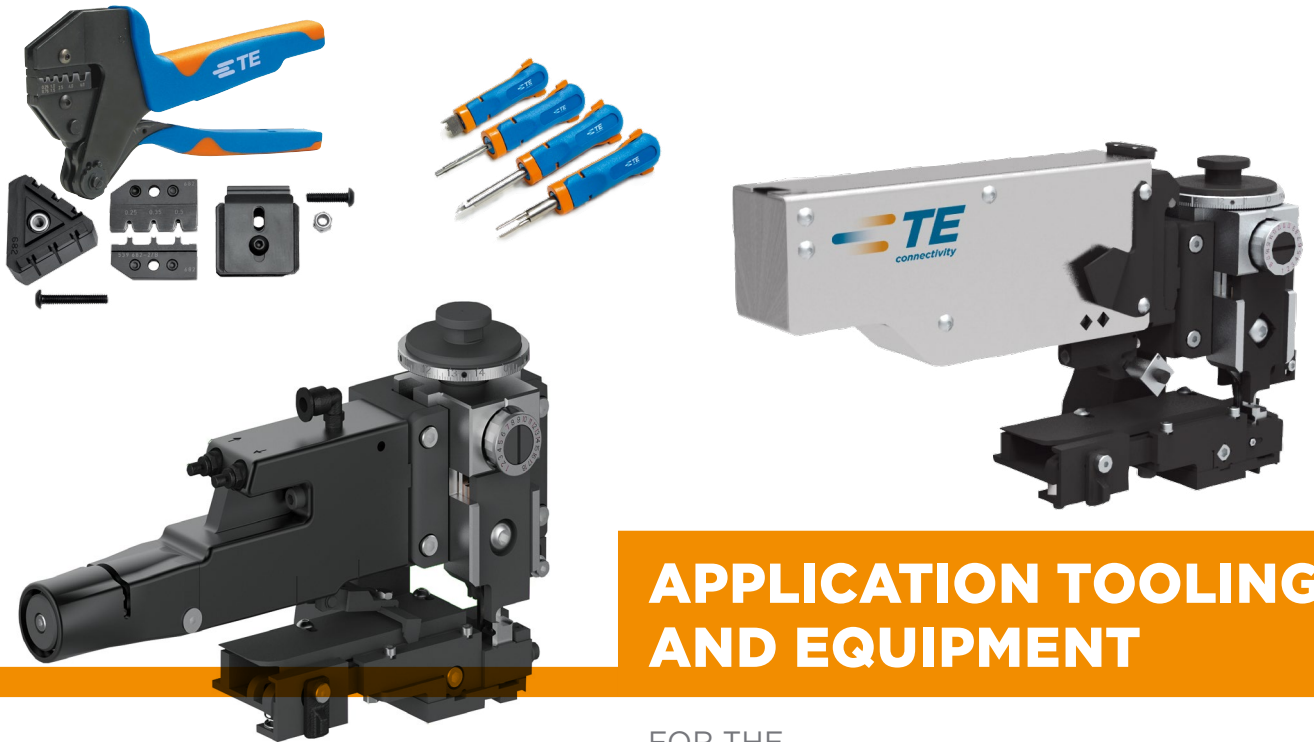


18 Positions MCON 1.2 + 2.8 Mixed Tab Housing

No. of Positions	Keying Options	Housing Color	Part Number	Dimensions (mm)			Mating Receptacle Housing
				A	B	C	
18	A	Black	1801739-1	46.2	58.6	19.6	1801735-1
	B	Gray	1801739-2				1801735-2
	C	Blue	1801739-3				1801735-3
	D	Brown	1801739-4				1801735-4
	E	Purple	1801739-5				1801735-5



Images representative of tool type only.



APPLICATION TOOLING AND EQUIPMENT

FOR THE
MCON INTERCONNECTION SYSTEM

TE Application Tooling is dedicated to providing high quality equipment options to meet all levels of our connector products specifications. We are also able to provide a broad range of equipment for other manufacturer's products.

Our equipment range is vast and almost unmatched by others operating in the same industry segments, as is our global presence and support network in the form of field service engineers and product managers. We supply everything from simple hand tools to the most complex automated systems.

Equipment is segregated into two types and managed accordingly:

Generic equipment

Where we can supply you with sufficient information referenced by Part Number such that you can identify and order what you need yourself.

Specialised Equipment

Where you will need help from our specialist product managers to identify what's just right for your Application.

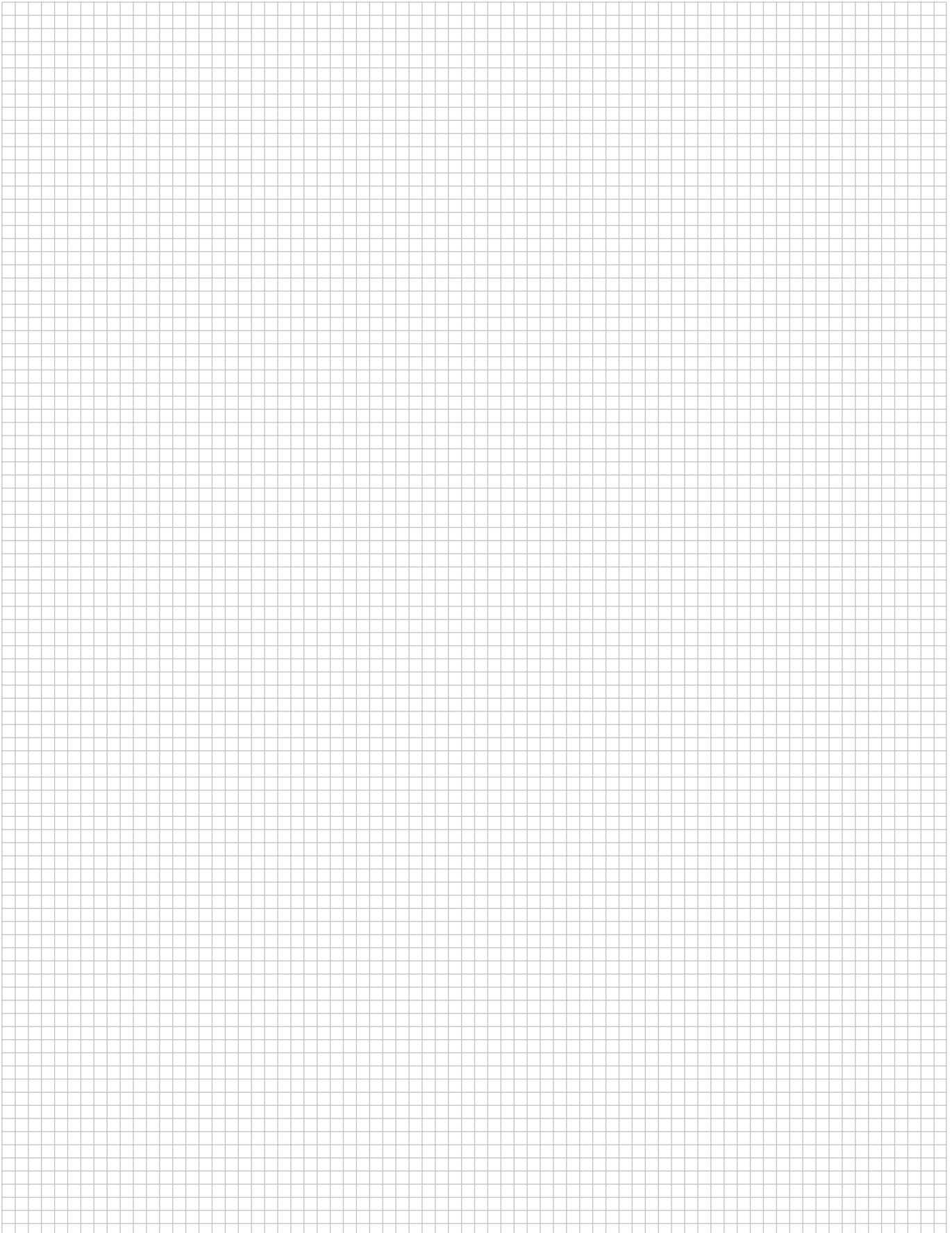
Finding Equipment Online

www.tooling.te.com

- Powerful searches to find generic equipment options (Hand Tools / Applicators)
- Brochures and more detailed flyers for the specialised equipment.
- It's quick, easy and more importantly the latest and most up to date information is available online.

Regional Assistance

www.te.com/support-center



Numerical Index

Part Number	Page	Part Number	Page	Part Number	Page
1418762	3	1-1924067-2	22	1718350-1	6
1418762	4	1-1924067-3	22	1718350-2	6
1418844	6	1-1924067-9	22	1718350-3	6
1418850	6	1-2141324-1	18	1718475-1	8
1534594	6	1-2141324-2	18	1718475-3	8
1670144	6	1-2141520-1	18	1718758-1	4
1670146	6	1-2141520-2	18	1718758-2	4
1718348	5	1-2236046-0	25	1718758-3	4
1718350	5	1-2236046-1	25	1718760-1	4
1718758	3	1-2236343-1	19	1718760-2	4
1718760	3	1-2236343-5	19	1718760-3	4
1718762	3	1-2236896-1	19	1718762-1	4
2063537	6	1-2236896-5	19	1718762-2	4
2063573	6	1-2236898-1	19	1718762-3	4
2121114	5	1-2236898-5	19	1719836-1	8
2141116	5	1-2236952-5	20	1719836-3	8
2141861	4	1-2236953-5	20	1719838-1	8
2141861	3	1-2236954-5	20	1719838-3	8
2141864	3	1-2286417-1	17	1719840-1	8
2141864	4	1418762-1	4	1719840-3	8
2141868	3	1418762-2	4	1719972-1	13
2141868	4	1418762-3	4	1801600-1	26
2141970	4	1418844-2	5	1801600-2	26
2177610	5	1418844-3	5	1801600-3	26
1-1456426-1	23	1418850-1	5	1801600-4	26
1-1456426-2	23	1418850-2	5	1801600-5	26
1-1456426-3	23	1418850-3	5	1801606-1	26
1-1456426-4	23	1452503-1	5	1801606-2	26
1-1564559-1	18	1452503-2	5	1801606-3	26
1-1564559-2	18	1452503-3	5	1801606-4	26
1-1579001-3	5	1534594-1	5	1801606-5	26
1-1670915-1	16	1534594-2	5	1801610-1	26
1-1670916-1	16	1534594-3	5	1801610-2	26
1-1670917-1	16	1563719-1	8	1801735-1	27
1-1670918-1	17	1563719-3	8	1801735-2	27
1-1670919-1	17	1563935-1	8	1801735-3	27
1-1670920-1	17	1563935-3	8	1801735-4	27
1-1670921-1	17	1579001-6	5	1801735-5	27
1-1703494-1	18	1670144-1	5	1801739-1	27
1-1703494-2	18	1670144-2	5	1801739-2	27
1-1703498-1	18	1670144-3	5	1801739-3	27
1-1703498-2	18	1670146-1	5	1801739-4	27
1-1703498-3	18	1670146-2	5	1801739-5	27
1-1703506-1	18	1670146-3	5	1924292-1	22
1-1703506-2	18	1670802-1	8	1924292-2	22
1-1718643-1	16	1670802-3	8	1924292-3	22
1-1718644-1	16	1670804-1	8	1924292-4	22
1-1718645-1	17	1670804-3	8	2-1564559-1	18
1-1718646-1	17	1670806-1	8	2-1564559-2	18
1-1718806-1	17	1670806-3	8	2-1579016-1	5
1-1718888-1	16	1703834-1	9	2-1579016-2	5
1-1719393-1	17	1703834-3	9	2-1670915-1	16
1-1823032-1	12	1703836-1	9	2-1670916-1	16
1-1823032-3	12	1703836-3	9	2-1670917-1	16
1-1823034-1	12	1718348-1	6	2-1670918-1	17
1-1823034-3	12	1718348-2	5	2-1670919-1	17
1-1924067-1	22	1718348-3	6	2-1670920-1	17

MCON Interconnection System
Numerical Index

Numerical Index

Part Number	Page	Part Number	Page	Part Number	Page
2-1670921-1	17	2141861-2	3	4-1456426-4	23
2-1703494-1	18	2141861-3	3	4-1579001-1	3
2-1703494-2	18	2141864-1	4	4-1579001-1	4
2-1703498-2	18	2141864-2	4	4-1579001-2	3
2-1703498-3	18	2141864-3	4	4-1579001-2	4
2-1703506-1	18	2141868-1	4	4-1579001-2	6
2-1703506-2	18	2141868-2	4	4-1579001-3	3
2-1718643-1	16	2141868-3	4	4-1579001-3	4
2-1718644-1	16	2141970-1	3	4-1579001-3	6
2-1718645-1	17	2141970-2	3	4-1579001-5	3
2-1718646-1	17	2141970-3	3	4-1579001-5	4
2-1718806-1	17	2177610-3	6	4-1579001-6	3
2-1718888-1	16	2177770-1	10	4-1579001-6	4
2-1719393-1	17	2177770-3	10	4-1579001-7	3
2-1924067-0	22	2177771-1	10	4-1579001-7	4
2-1924067-1	22	2177771-3	10	4-1579014-1	2
2-2141324-1	18	2177908-1	2	4-1924067-1	22
2-2141324-2	18	2177908-2	2	4-1924067-2	22
2-2141520-1	18	2177908-3	2	4-1924067-3	22
2-2141520-2	18	2177909-1	2	4-1924292-1	22
2-2236343-1	19	2177909-2	2	4-1924292-2	22
2-2236343-5	19	2177909-3	2	4-1924292-3	22
2-2236896-1	19	2208360-3	7	4-1924292-4	22
2-2236896-5	19	2208362-3	7	4-2098541-1	23
2-2236898-1	19	2208363-3	7	4-2098541-2	23
2-2236898-5	19	2208762-1	11	4-2098541-3	23
2-2236952-5	20	2208762-3	11	4-2098541-4	23
2-2236953-5	20	2208763-1	11	4-2098557-1	23
2-2236954-5	20	2208763-3	11	4-2098557-2	23
2098541-1	23	2208764-1	11	4-2098557-3	23
2098541-2	23	2208764-3	11	4-2098559-1	23
2098541-3	23	2208765-1	11	4-2098559-2	23
2098541-4	23	2208765-3	11	4-2098559-3	23
2098557-1	23	2208766-1	11	4-2098559-4	23
2098557-2	23	2208766-3	11	4-2236343-1	19
2098557-3	23	2208939-1	21	4-2236343-5	19
2098559-1	23	2236046-7	25	5-1418758-0	3
2098559-2	23	2236046-8	25	5-1418758-0	4
2098559-3	23	2236047-1	25	5-1418758-1	4
2098559-4	23	2236047-2	25	5-1418758-2	4
2098582-1	13	2236048-1	25	5-1418758-3	4
2098641-1	24	3-1579001-7	5	5-1418760-0	3
2098641-2	24	3-1579001-9	5	5-1418760-1	4
2098641-3	24	3-1670915-1	16	5-1418760-2	4
2098641-4	24	3-1670916-1	16	5-1579007-3	3
2098641-5	24	3-1670918-1	17	5-2208918-1	21
2098641-6	24	3-1670921-1	17	5-2208918-2	21
2098641-7	24	3-1718643-1	16	5-2208920-1	21
2098641-8	24	3-1718644-1	16	5-2208920-2	21
2121114-3	6	3-1718645-1	17	5-2236115-1	21
2138873-1	22	3-1718806-1	17	5-2236115-2	21
2138873-2	22	3-1718888-1	16	5-2236116-1	21
2138873-3	22	3-2236896-1	19	5-2236116-2	21
2138873-4	22	3-2236896-5	19	6-1579016-5	7
2138873-6	22	4-1456426-1	23	7-1452653-0	4
2141116-3	6	4-1456426-2	23	7-1452653-1	3
2141861-1	3	4-1456426-3	23	7-1452653-2	3

Numerical Index

Part Number	Page	Part Number	Page	Part Number	Page
7-1452653-3	3				
7-1452656-0	4				
7-1452656-1	3				
7-1452656-2	3				
7-1452656-3	3				
7-1452659-0	4				
7-1452659-1	3				
7-1452659-2	3				
7-1452659-3	3				
7-1452665-0	4				
7-1452665-1	3				
7-1452665-2	3				
7-1452665-3	3				
7-1452668-0	4				
7-1452668-1	3				
7-1452668-2	3				
7-1452668-3	3				
7-1452671-0	4				
7-1452671-1	3				
7-1452671-2	3				
7-1452671-3	3				
8-1579007-9	2				
828904-2	13				
828905-1	13				
828922-1	13				
828985-1	13				
828986-1	13				
963142-1	13				
963143-1	13				
964972-1	13				
967056-1	13				
967067-1	13				
967067-2	13				
967608-1	13				

Disclaimer

While TE Connectivity (TE) has made every reasonable effort to ensure the accuracy of the information in this catalog, TE does not guarantee that it is error-free, nor does TE make any other representation, warranty or guarantee that the information is accurate, correct, reliable or current. TE reserves the right to make any adjustments to the information contained herein at any time without notice..

TE expressly disclaims all implied warranties regarding the information contained herein, including, but not limited to, any implied warranties of merchantability or fitness for a particular purpose. The dimensions in this catalog are for reference purposes only and are subject to change without notice. Specifications are subject to change without notice. Consult TE for the latest dimensions and design specifications.

Trademarks

AMP MCP, MCON, TE, TE Connectivity, TE connectivity (logo), and EVERY CONNECTION COUNTS are trademarks.

ACOME is a trademark.

Other product names, logos, and company names mentioned herein may be trademarks of their respective owners.

Copyright

© 2014 TE Connectivity family of companies. All rights reserved.

AMERICAS

Argentina - Buenos Aires
(Chile, Colombia, Ecuador, Venezuela)
Phone: +54-11-4733-2202
Fax: +54-11-4733-2250

Brasil - São Paulo
Phone: +55-11-2103-6105
Fax: +55-11-2103-6204

Canada - Toronto
Phone: +1-905-475-6222
Fax: +1-905-474-5520
Product Information Center:
Phone: +1-905-470-4425
Fax: +1-905-474-5525

Mexico - Mexico City
Phone: +52-55-1106-0800
+01-800-733-8926
Fax: +52-55-1106-0910

United States
Harrisburg, PA
Phone: +1-717-564-0100
Fax: +1-717-986-7575
Product Information Center:
Phone: +1-800-522-6752
Fax: +1-717-986-7575

For South American Countries not shown
Phone: +54-11-4733-2015
Fax: +54-11-4733-2083

ASIA/PACIFIC

Australia - Sydney
Phone: +61-2-9554-2600
Fax: +61-2-9502-2556
Product Information Center:
Phone: +61-2-9840-8200
Fax: +61-2-9634-6188

Indonesia - Jakarta
Phone: +62-21-2929-3800
Fax: +62-21-2929-3899

Japan - Kawasaki, Kanagawa
Phone: +81-44-844-8111
Fax: +81-44-812-3207

Korea - Seoul
Phone: +82-2-3415-4500
Fax: +82-2-3486-3810

Malaysia - Kuala Lumpur
Phone: +60-3-7806-7688
Fax: +60-3-7805-3066

New Zealand - Auckland
Phone: +64-9-634-4580
Fax: +64-9-634-4586

Philippines - Makati City
Phone: +632-988-9400
Fax: +632-659-7737

People's Republic of China
Hong Kong
Phone: +852-2738-8731
Fax: +852-2735-0243

Shanghai
Phone: +86-21-3398-0000
Fax: +86-21-3398-1999

Singapore - Singapore
Phone: +65-6482-0311
Fax: +65-6482-1012

Taiwan - Taipei
Phone: +886-2-8768-2788
Fax: +886-2-8768-2268

Thailand - Bangkok
Phone: +66-2-834-6200
Fax: +66-2-937-1820

Vietnam - Ho Chi Minh City
Phone: +84-8-3823-8473
Fax: +84-8-3823-8533

EUROPE/MIDDLE EAST/AFRICA

Austria - Vienna
Phone: +43-1-905-60-0
Fax: +43-1-905-60-1333
Product Information Center:
Phone: +43-1-905-60-1228
Fax: +43-1-905-60-1333

Belarus - Minsk
Phone: +375-17-237-47-94
Fax: +375-17-237-47-94
Product Information Center:
Phone: +7-495-790-7902
Fax: +7-495-721-1893

Bulgaria - Sofia
Phone: +359-2-971-2152
Fax: +359-2-971-2153

Czech Republic and Slovakia
Czech Republic - Kurim, Brno
Phone: +420-541-162-108
Fax: +420-541-162-104
Product Information Center:
Phone: +420-541-162-113
Fax: +420-541-162-104

Denmark - Glostrup
Phone: +45-43-48-04-00
Fax: +46-8-50-72-50-01
Product Information Center:
Phone: +46-8-50-72-50-00

Egypt - Cairo
Phone: +20-2-24192334
Fax: +20-2-24177647

Estonia - Tartu
Phone: +372-5138-274
Fax: +372-7400-779

Finland - Helsinki
Phone: +358-95-12-34-20
Fax: +46-8-50-72-50-01
Product Information Center:
Phone: +46-8-50-72-50-00

France - Cergy-Pontoise
Cedex
Phone: +33-1-3420-8888
Fax: +33-1-3420-8800
Product Information Center:
Phone: +33-1-3420-8686
Fax: +33-1-3420-8624

France Export Divisions -
Cergy-Pontoise Cedex
Phone: +33-1-3420-8866
Fax: +33-1-3420-8300

Germany - Bensheim
(Switzerland)
Phone: +49-6251-133-0
Fax: +49-6251-133-1600
Product Information Center:
Phone: +49-6251-133-1999
Fax: +49-6251-133-1988

Hungary - Budapest
Phone: +36-1-289-1000
Fax: +36-1-289-1010
Product Information Center:
Phone: +36-809-874-04
(toll free)

India - Bangalore
Phone: +91-080-2854-0800
Fax: +91-080-2854-0820/21

Italy - Collegno (Torino)
Phone: +39-011-4012-111
Fax: +39-011-4031-116
Product Information Center:
Phone: +39-011-4012-632
Fax: +39-011-4028-7632

Lithuania and Latvia
Lithuania - Vilnius
Phone: +370-5-213-1402
Fax: +370-5-213-1403

Morocco - Tangier
Phone: +212-5-31-06-2700
Fax: +212-5-31-06-2728

Netherlands - 's-Hertogenbosch
(Belgium, Luxemburg)
Phone: +31-73-6246-246
Fax: +31-73-6212-365
Product Information Center:
Phone: +31-73-6246-999
Fax: +31-73-6246-998

Norway - Nesbru
Phone: +47-66-77-88-50
Fax: +46-8-50-72-50-01
Product Information Center:
Phone: +46-8-50-72-50-00

Poland - Warsaw
Phone: +48-22-4576-700
Fax: +48-22-4576-720

Romania - Bucharest
Phone: +40-21-311-3479/3596
Fax: +40-21-312-0574

Russia - Moscow
Phone: +7-495-790-7902
Fax: +7-495-721-1893
Product Information Center:
Phone: +7-495-790-7902
Fax: +7-495-721-1893

Nizhniy Novgorod
Phone: +7-831-220-33-05/-06
Fax: +7-831-220-33-39/-40

Slovenia - Ljubljana
Phone: +386-1561-3270
Fax: +386-1561-3240

South Africa - Port Elizabeth
Phone: +27-41-503-4500
Fax: +27-41-581-0440

Spain - Barcelona
Phone: +34-93-291-0300
Fax: +34-93-564-4819
Product Information Center:
Phone: +34-93-291-0366
Fax: +34-93-209-1030

Sweden - Upplands Väsby
Phone: +46-8-50-72-50-00
Fax: +46-8-50-72-50-01
Product Information Center:
Phone: +46-8-50-72-50-00

Turkey - Istanbul
Phone: +90-212-339-9200
Fax: +90-212-339-9202

Ukraine - Kiev
Phone: +380-44-206-2265
Fax: +380-44-206-2264
Product Information Center:
Phone: +380-44-206-2265
Fax: +380-44-206-2264

United Kingdom and Ireland - Swindon
Phone: +44-8706-080208
Fax: +44-208-954-6234
Product Information Center:
Phone: +44-800-267-666

For further contact information or countries not shown please go to:

www.TE.com/support-center

Status 04/2013



Tyco Electronics AMP GmbH
a TE Connectivity Ltd. company

AMPèrestrasse 12-14
64625 Bensheim | Germany
Phone: +49 (0)6251 133-0
Fax: +49 (0)6251 133-1600



www.te.com
www.te.com/automotive

Tyco Electronics AMP GmbH certified
acc. ISO 14001 and ISO/TS 16949:2002

1308070-4 | Revised 10-2014 | 3M · EB

Mouser Electronics

Authorized Distributor

Click to View Pricing, Inventory, Delivery & Lifecycle Information:

[TE Connectivity:](#)

[1452503-1](#)