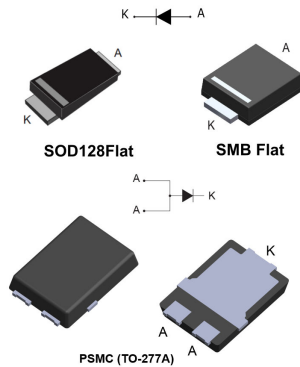


100 V - 5 A power Schottky trench rectifier



Product label



Product status link

[STPST5H100](#)

Product summary

$I_{F(AV)}$	5 A
V_{RRM}	100 V
T_j (max.)	175 °C
V_F (typ.)	0.550 V

Features

- High junction temperature capability
- Low forward voltage drop
- Low recovery charges
- Reduces conduction, reverse and switching losses
- Avalanche tested
- Flat packages
- ECOPACK2 compliant

Applications

- DC/DC converter
- LED lighting
- Flyback topology
- Auxiliary power supply
- Switch mode power supply (SMPS)

Description

This 5 A, 100 V rectifier is based on ST trench technology that achieves the best-in-class V_F/I_R trade-off for a given silicon surface.

Integrated in flat and space-saving packages, this STPST5H100 trench rectifier is intended to be used in high frequency miniature switched mode power supplies. It is also an ideal candidate for auxiliary power supply in telecom, server, or smart metering. ST trench rectifiers are adapted to freewheeling, OR-ring or reverse polarity protection applications, and can be the perfect companion device to our transistors, drivers, or ST VIPer products.

1 Characteristics

Table 1. Absolute ratings (limiting values at 25 °C, unless otherwise specified, with 2 anode terminals short-circuited)

Symbol	Parameter		Value	Unit	
V_{RRM}	Repetitive peak reverse voltage		100	V	
$I_{F(AV)}$	Average forward current, $\delta = 0.5$, square wave	SOD128Flat	$T_L = 120\text{ °C}$	5	A
		SMB Flat	$T_L = 135\text{ °C}$		
		PSMC (TO-277)	$T_c = 160\text{ °C}$		
I_{FSM}	Surge non repetitive forward current	SOD128Flat	$t_p = 10\text{ ms}$ sinusoidal	75	A
		SMB Flat		130	
		PSMC (TO-277)		155	
I_{AS}	Single pulse avalanche current ⁽¹⁾	$T_j = 25\text{ °C}$, $L = 300\text{ }\mu\text{H}$, $V_{DD} = 15\text{ V}$		9	A
T_{stg}	Storage temperature range		-65 to +175	°C	
T_j	Maximum operating junction temperature ⁽²⁾		+175	°C	

1. Please refer to [Figure 1](#) and [Figure 2](#) for the unclamped inductive switching test circuit, and waveform.
2. $(dP_{tot}/dT_j) < (1/R_{th(j-a)})$ condition to avoid thermal runaway for a diode on its own heatsink.

Table 2. Thermal resistance parameter

Symbol	Parameter		Typ. value	Unit
$R_{th(j-l)}$	Junction to lead	SOD128Flat	10	°C/W
		SMB Flat	7.7	
$R_{th(j-c)}$	Junction to case	PSMC (TO-277)	1.8	

For more information, please refer to the following application note:

- [AN5088](#): Rectifiers thermal management, handling and mounting recommendations

Table 3. Static electrical characteristics

Symbol	Parameter	Test conditions		Min.	Typ.	Max.	Unit
$I_R^{(1)}$	Reverse leakage current	$T_j = 125\text{ °C}$	$V_R = 70\text{ V}$	-	1.0	3.2	mA
		$T_j = 25\text{ °C}$	$V_R = 100\text{ V}$	-		11.5	μA
		$T_j = 125\text{ °C}$		-	2.0	6.5	mA
$V_F^{(2)}$	Forward voltage drop	$T_j = 25\text{ °C}$	$I_F = 2.5\text{ A}$	-	0.520	0.580	V
		$T_j = 125\text{ °C}$		-	0.450	0.510	
		$T_j = 25\text{ °C}$	$I_F = 5\text{ A}$	-	0.615	0.680	
		$T_j = 125\text{ °C}$		-	0.550	0.605	

1. Pulse test: $t_p = 5\text{ ms}$, $\delta < 2\%$
2. Pulse test: $t_p = 380\text{ }\mu\text{s}$, $\delta < 2\%$

To evaluate the conduction losses, use the following equation:

$$P = 0.415 \times I_{F(AV)} + 0.038 \times I_{F(RMS)}^2$$

For more information, please refer to the following application notes related to the power losses :

- AN604: Calculation of conduction losses in a power rectifier
- AN4021: Calculation of reverse losses on a power diode

Figure 1. Current and voltage waveforms for avalanche energy test across D.U.T (device under test)

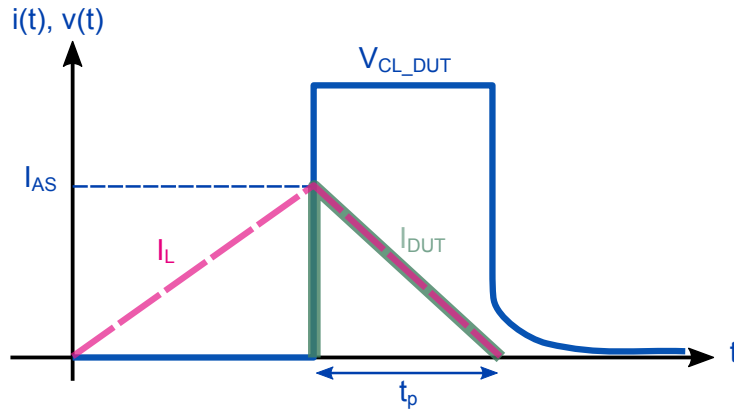
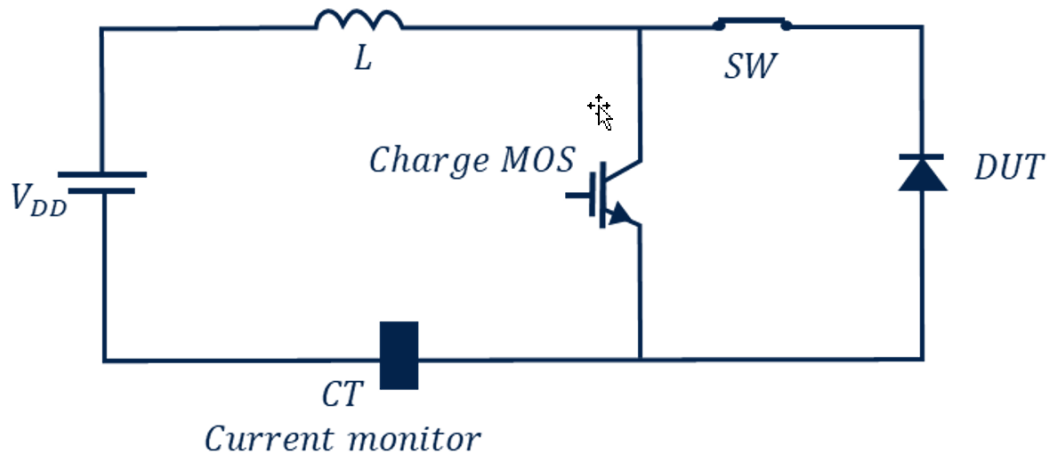


Figure 2. Unclamped Inductive Switching Test circuit



$$E_{AS} = \frac{1}{2} \times L \times I_{AS}^2 \times \left(\frac{V_{CLDUT}}{V_{CLDUT} - V_{DD}} \right) \cong \frac{1}{2} \times L \times I_{AS}^2$$

$$t_p = \left(\frac{L \times I_{AS}}{V_{CLDUT} - V_{DD}} \right)$$

1.1 Characteristics (curves)

Figure 3. Average forward current versus lead temperature ($\delta = 0.5$)

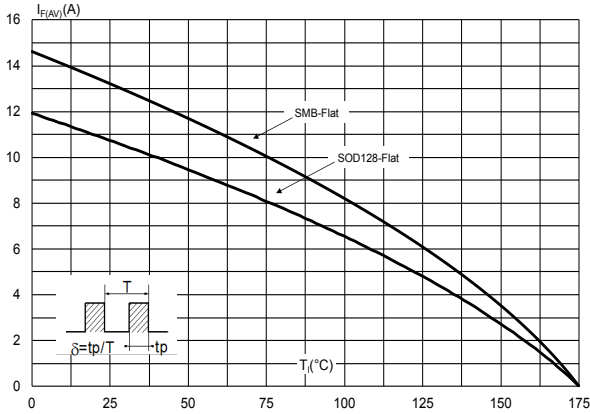


Figure 4. Average forward current versus case temperature ($\delta = 0.5$, PSMC (TO-277))

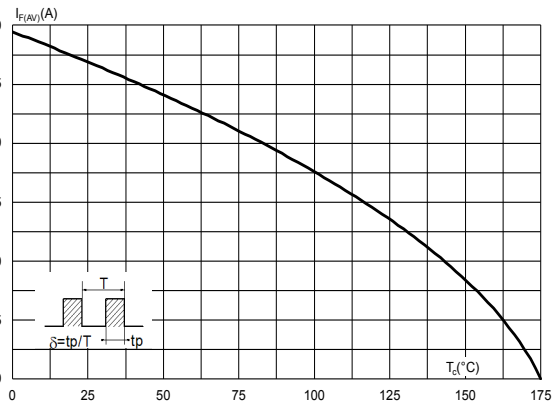


Figure 5. Relative variation of thermal impedance junction to lead versus pulse duration (SOD128Flat)

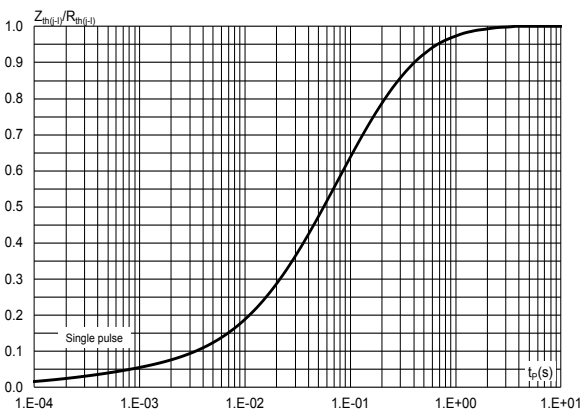


Figure 6. Relative variation of thermal impedance junction to lead versus pulse duration (SMB Flat)

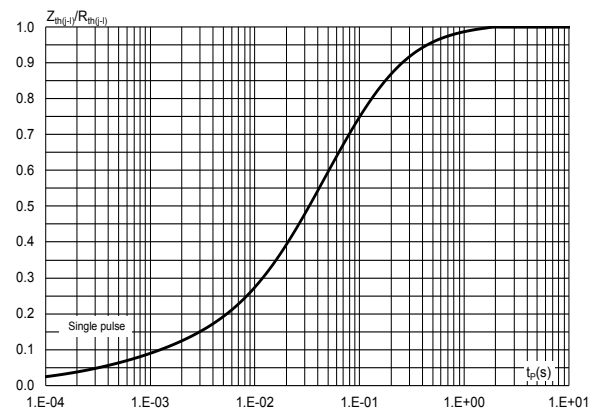


Figure 7. Relative variation of thermal impedance junction to case versus pulse duration (PSMC)

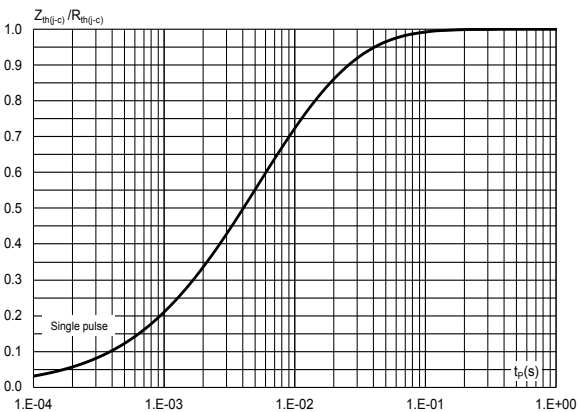


Figure 8. Reverse leakage current versus reverse voltage applied (typical values)

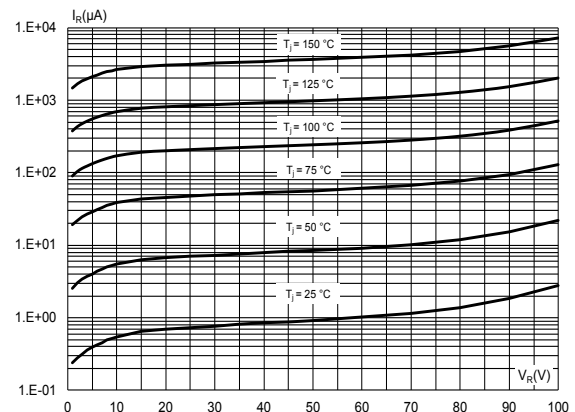


Figure 9. Junction capacitance versus reverse voltage applied (typical values)

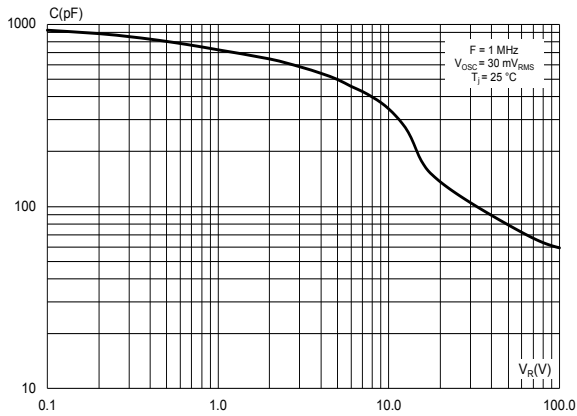


Figure 10. Forward voltage drop versus forward current (typical values)

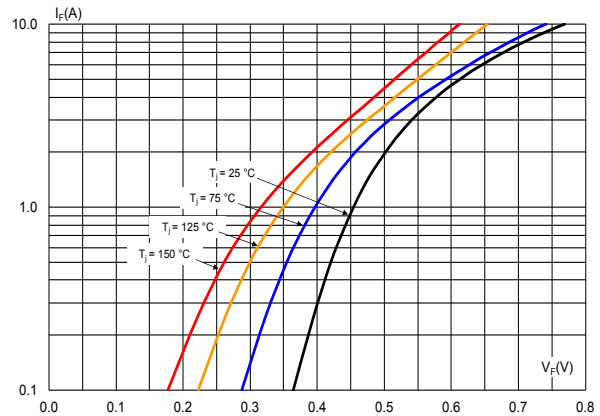


Figure 11. Thermal resistance junction to ambient versus copper surface under each lead (typical values, epoxy printed board FR4, $e_{Cu} = 70 \mu m$)

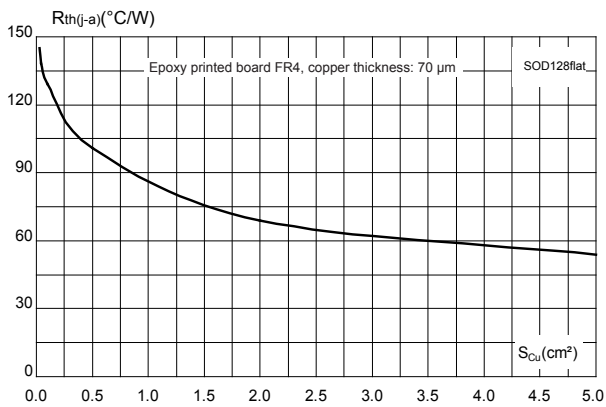


Figure 12. Thermal resistance junction to ambient versus copper surface under each lead (typical values, epoxy printed board FR4, $e_{Cu} = 70 \mu m$)

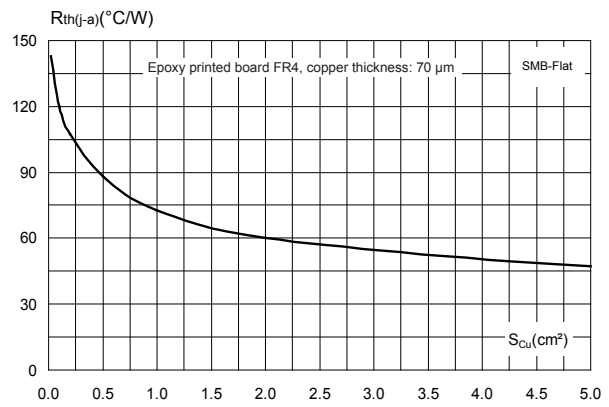
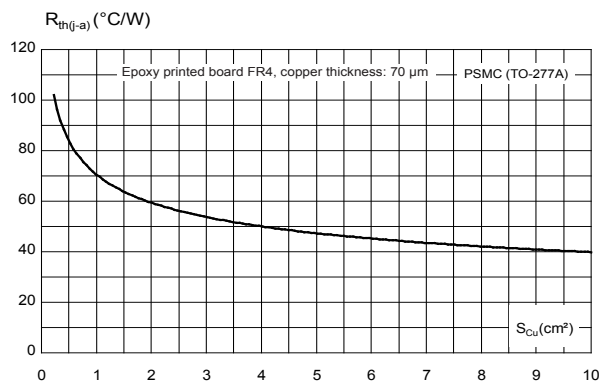


Figure 13. Thermal resistance junction to ambient versus copper surface under tab (typical values, epoxy printed board FR4, $e_{Cu} = 70 \mu m$)



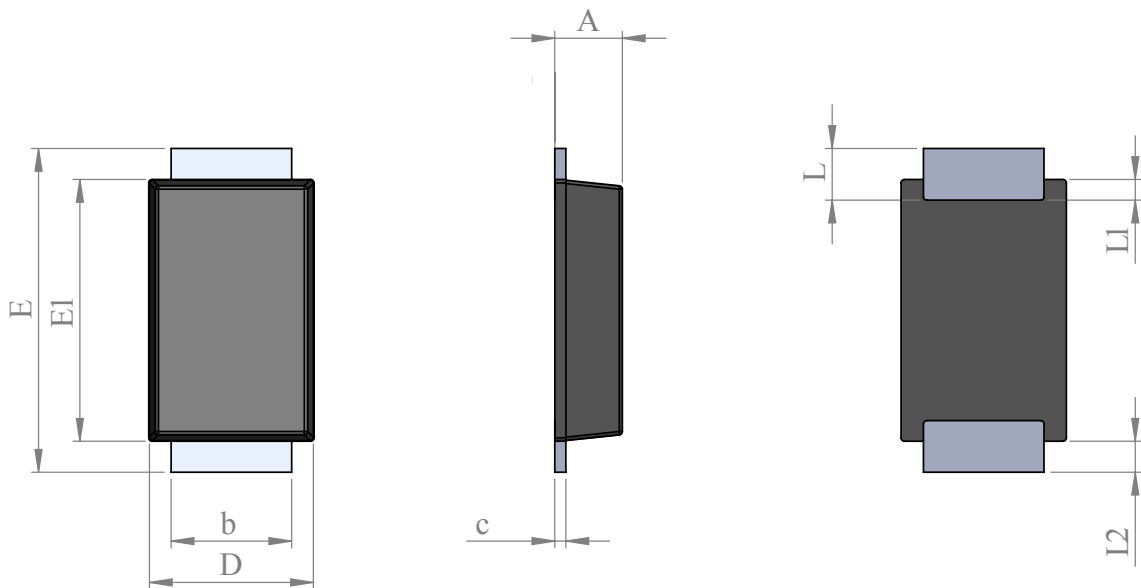
2 Package information

In order to meet environmental requirements, ST offers these devices in different grades of **ECOPACK** packages, depending on their level of environmental compliance. ECOPACK specifications, grade definitions and product status are available at: www.st.com. ECOPACK is an ST trademark.

2.1 SOD128Flat package information

- Lead-free package

Figure 14. SOD128Flat package outline

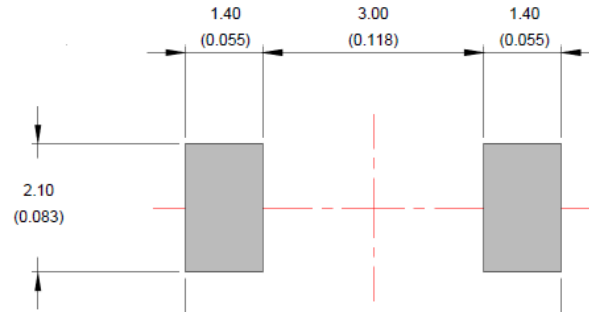


Note: This package drawing may slightly differ from the physical package. However, all the specified dimensions are guaranteed.

Table 4. SOD128Flat package mechanical data

Ref.	Dimensions			
	Millimeters		Inches	
	Min.	Max.	Min.	Max.
A	0.93	1.03	0.037	0.041
b	1.69	1.81	0.067	0.071
c	0.10	0.22	0.004	0.009
D	2.30	2.50	0.091	0.098
E	4.60	4.80	0.181	0.189
E1	3.70	3.90	0.146	0.154
L	0.55	0.85	0.026	0.033
L1	0.30 typ.		0.012 typ.	
L2	0.45 typ.		0.018 typ.	

Figure 15. SOD128Flat footprint in mm (inches)

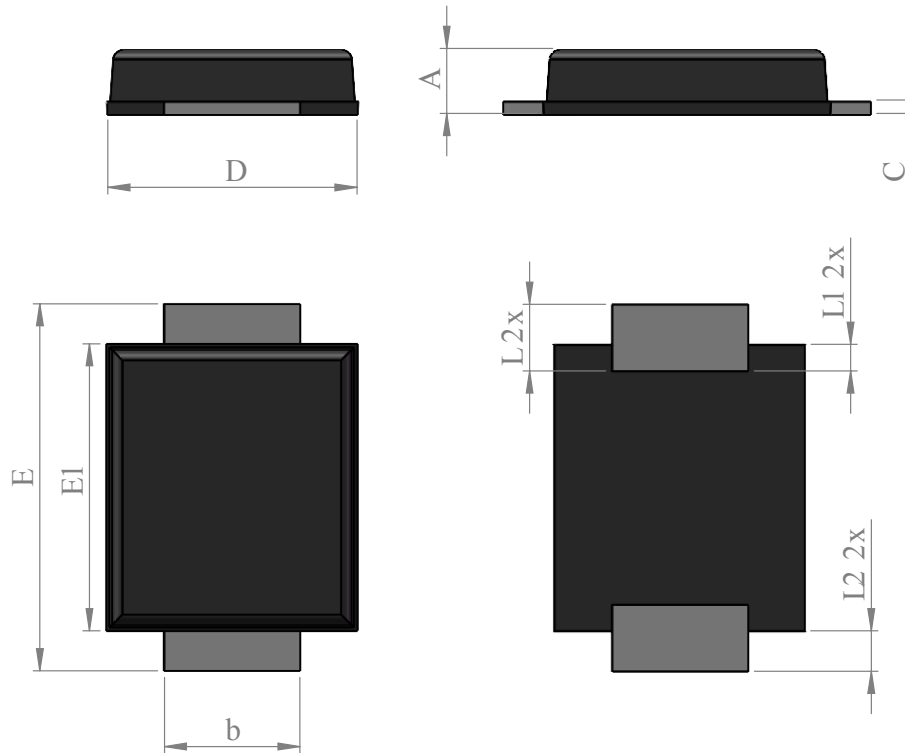


Note: For package and tape orientation, reel and inner box dimensions and tape outline please check [TN1173](#).

2.2 SMB Flat package information

- Epoxy meets UL94, V0
- Lead-free package

Figure 16. SMB Flat package outline

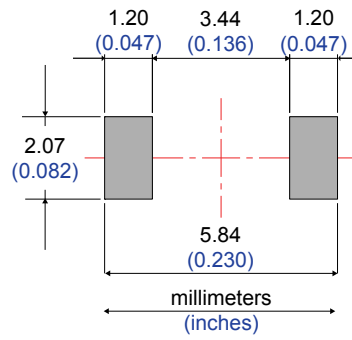


Note: This package drawing may slightly differ from the physical package. However, all the specified dimensions are guaranteed.

Table 5. SMB Flat mechanical data

Ref.	Dimensions					
	Millimeters			Inches		
	Min.	Typ.	Max.	Min.	Typ.	Max.
A	0.90		1.10	0.035		0.044
b	1.95		2.20	0.076		0.087
C	0.15		0.40	0.005		0.016
D	3.30		3.95	0.129		0.156
E	5.10		5.60	0.200		0.221
E1	4.05		4.60	0.159		0.182
L	0.75		1.50	0.029		0.060
L1		0.40			0.016	
L2		0.60			0.024	

Figure 17. Footprint recommendations, dimensions in mm (inches)

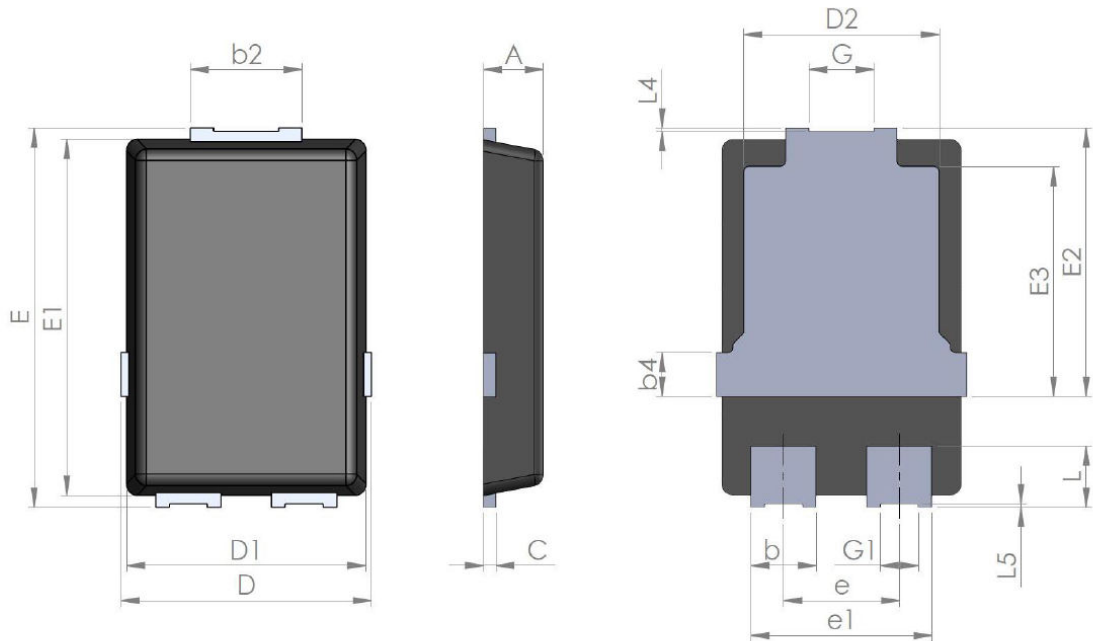


Note: For package and tape orientation, reel and inner box dimensions and tape outline please check [TN1173](#).

2.3 PSMC (TO-277A) package information

- Epoxy meets UL94, V0
- Cooling method: by conduction (C)

Figure 18. PSMC (TO-277A) package outline

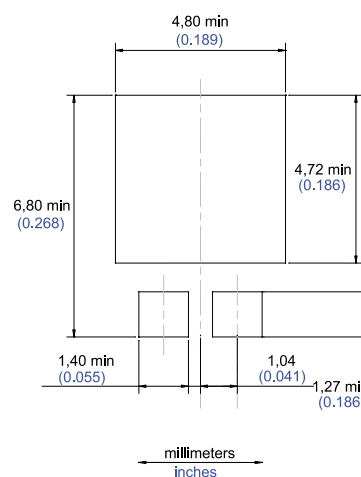


Note: This package drawing may slightly differ from the physical package. However, all the specified dimensions are guaranteed.

Table 6. PSMC (TO-277A) package mechanical data

Ref.	Dimensions					
	Millimeters			Inches (for reference only)		
	Min.	Typ.	Max.	Min.	Typ.	Max.
A	1.00	1.10	1.20	0.039	0.043	0.047
b	1.05	1.20	1.35	0.041	0.047	0.053
b2	1.90	2.05	2.20	0.075	0.081	0.087
b4		0.75			0.029	
C	0.15	0.23	0.40	0.006	0.009	0.016
D	4.45	4.60	4.75	0.175	0.181	0.187
D1	4.25	4.40	4.45	0.167	0.173	0.175
D2	3.40	3.60	3.70	0.134	0.142	0.146
E	6.35	6.50	6.65	0.250	0.256	0.262
E1	6.05	6.10	6.15	0.238	0.240	0.242
E2	4.50	4.60	4.70	0.177	0.181	0.185
E3		3.94			1.55	
e		2.13			0.084	
e1		3.33			0.131	
G		1.20			0.047	
G1		0.70			0.027	
L	0.90	1.05	1.24	0.035	0.041	0.049
L4	0.02			0.0008		
L5	0.02			0.0008		

Figure 19. PSMC (TO-277A) package footprint in mm (in inches)



Note: For package and tape orientation, reel and inner box dimensions and tape outline please check [TN1173](#).

3 Ordering information

Table 7. Ordering information

Order code	Marking	Package	Weight	Base qty.	Delivery mode
STPST5H100AF	T5H1	SOD128Flat	26.4 mg	3000	Tape and reel
STPST5H100UF		SMB Flat	50.0 mg	5000	
STPST5H100SF		PSMC (TO-277A)	90.0 mg	6000	

Revision history

Table 8. Document revision history

Date	Revision	Changes
02-Jan-2023	1	Initial release.
26-May-2023	2	Updated Figure 14 .
21-Jul-2023	3	Updated <i>Features</i> .

IMPORTANT NOTICE – READ CAREFULLY

STMicroelectronics NV and its subsidiaries (“ST”) reserve the right to make changes, corrections, enhancements, modifications, and improvements to ST products and/or to this document at any time without notice. Purchasers should obtain the latest relevant information on ST products before placing orders. ST products are sold pursuant to ST’s terms and conditions of sale in place at the time of order acknowledgment.

Purchasers are solely responsible for the choice, selection, and use of ST products and ST assumes no liability for application assistance or the design of purchasers’ products.

No license, express or implied, to any intellectual property right is granted by ST herein.

Resale of ST products with provisions different from the information set forth herein shall void any warranty granted by ST for such product.

ST and the ST logo are trademarks of ST. For additional information about ST trademarks, refer to www.st.com/trademarks. All other product or service names are the property of their respective owners.

Information in this document supersedes and replaces information previously supplied in any prior versions of this document.

© 2023 STMicroelectronics – All rights reserved