

2112297-1 ✓ ACTIVE

AMP | Heavy Duty Sealed Connector Series

TE Internal #: 2112297-1

15 / 16 / 18 Position, Black, Cover, PA, 180 ° Cable Exit, -40 – 120 °C [-40 – 248 °F], Heavy Duty Sealed Connector Series

[View on TE.com >](#)



Automotive Parts > Automotive Connector Accessories > Automotive Connector Caps & Covers >

Heavy Duty Sealed Connector Series Protection Caps



Number of Positions: 4, 12, 15, 16, 18

Primary Product Color: **Black**

Protection & Strain Relief Accessory Type: **Cover**

Primary Product Material: **PA**

Cable Exit Angle: **180 °**

[All Heavy Duty Sealed Connector Series Protection Caps \(10\)](#)

Features

Product Type Features

Sealable	Yes
Protection & Strain Relief Accessory Type	Cover

Configuration Features

Number of Positions	4, 12, 15, 16, 18
---------------------	-------------------

Body Features

Primary Product Color	Black
Primary Product Material	PA
Cable Exit Angle	180 °

Mechanical Attachment

Strain Relief	Without
---------------	---------

Usage Conditions

Compatible With Connector Style	Housing For Male Terminals
---------------------------------	----------------------------



Operating Temperature (Max)	65 °C, 70 °C, 75 °C, 80 °C, 85 °C, 90 °C, 100 °C, 105 °C, 110 °C, 120 °C[248 °F]
-----------------------------	--

Operating Temperature Range	-40 – 120 °C[-40 – 248 °F]
-----------------------------	----------------------------

Industry Standards

UL Flammability Rating	UL 94V-0
------------------------	----------

Packaging Features

Packaging Method	Box
------------------	-----

Packaging Quantity	400
--------------------	-----

Other

Serviceable	Yes
-------------	-----

Product Compliance

[For compliance documentation, visit the product page on TE.com>](#)

EU RoHS Directive 2011/65/EU	Compliant
------------------------------	-----------

EU ELV Directive 2000/53/EC	Compliant
-----------------------------	-----------

China RoHS 2 Directive MIIT Order No 32, 2016	有害物质含量符合标准要求 No Restricted Substance(s) Above Threshold
---	---

EU REACH Regulation (EC) No. 1907/2006	Current ECHA Candidate List: JUNE 2025 (250) Candidate List Declared Against: JUNE 2025 (250) Does not contain REACH SVHC
--	---

Halogen Content	BFR/CFR/PVC Free, but Br/Cl >900 ppm in other sources.
-----------------	--

Solder Process Capability	Not applicable for solder process capability
---------------------------	--

Product Compliance Disclaimer

This information is provided based on reasonable inquiry of our suppliers and represents our current actual knowledge based on the information they provided. This information is subject to change. The part numbers that TE has identified as EU RoHS compliant have a maximum concentration of 0.1% by weight in homogenous materials for lead, hexavalent chromium, mercury, PBB, PBDE, DBP, BBP, DEHP, DIBP, and 0.01% for cadmium, or qualify for an exemption to these limits as defined in the Annexes of Directive 2011/65/EU (RoHS2). Finished electrical and electronic equipment products will be CE marked as required by Directive 2011/65/EU. Components may not be CE marked. Additionally, the part numbers that TE has identified as EU ELV compliant have a maximum concentration of 0.1% by weight in homogenous materials for lead, hexavalent chromium, and mercury, and 0.01% for cadmium, or qualify for an exemption to these limits as defined in the Annexes of Directive 2000/53/EC (ELV). Regarding the REACH Regulation, the information TE provides on SVHC in articles for this part number is based on the latest European Chemicals Agency (ECHA) 'Guidance on requirements for substances in articles' posted at this URL: <https://echa.europa.eu/guidance-documents/guidance-on-reach>

Compatible Parts




TE Part # CAT-NB3-MRC48
48V Ready Mixed (Signal and Power) Connectors



TE Part # CAT-H3399-CH8172
Heavy Duty Sealed Connector Series Housings



TE Part # 1-1564534-1
4POS,TAB 5.8X0.8,TAB HSG,ASSY



TE Part # 1-1564412-1
18POS,TAB 1.6X0.6,TAB HSG,ASSY



TE Part # 2-1564536-1
4POS,TAB5.8X0.8,TABHSG,ASSY, COD. B



TE Part # 2348741-2
HD MATEnet 3+0 TAB HSG ASSY, GRP E



TE Part # CAT-J4A-HDSCH
Heavy Duty Sealed Connector Headers

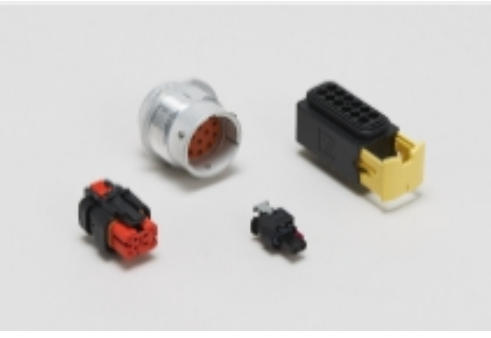


TE Part # 2348741-1
HD MATEnet 3+0 TAB HSG ASSY, GRP E




TE Part # 3-1579018-8
UNLOCK TOOL

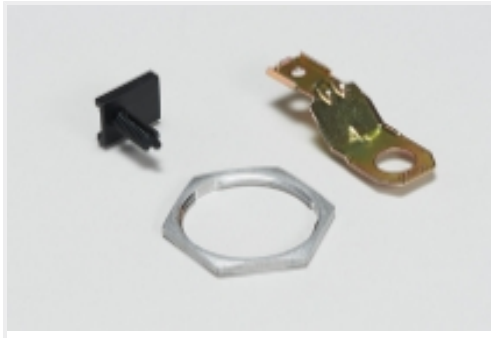
Also in the Series | **Heavy Duty Sealed Connector Series**



Automotive Housings(215)

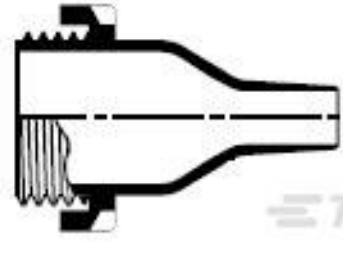


Automotive Seals & Cavity Plugs(5)



Other Automotive Connector Accessories(36)

Customers Also Bought



TE Part #878129-000
207W256-3-01/42-0



TE Part #K1167031
Relay (HVR) 60-311-12-905



TE Part #7-188431-6
MM 6p FIB SMD connector



TE Part #CAT-D9932-M6641
Receptacle Housing Assembly



Documents

Product Drawings

[PROTECTION CAP, GROUP E, ASSY](#)

English

CAD Files

Customer View Model

[ENG_CVM_CVM_2112297-1_B.2d_dxf.zip](#)

English

[3D PDF](#)

3D

Customer View Model

[ENG_CVM_CVM_2112297-1_B.3d_igs.zip](#)

English

Customer View Model

[ENG_CVM_CVM_2112297-1_B.3d_stp.zip](#)

English

By downloading the CAD file I accept and agree to the [Terms and Conditions](#) of use.

Datasheets & Catalog Pages

[Heavy Duty Sealed Connector Series](#)

English

[HDSCS Catalog](#)

English

[ICT Terminals and Connectors Catalogue](#)

English

[CONNECTOR SELECTOR](#)

English



[Product Specifications](#)

[Application Specification](#)

English