



SPLICE

TE Internal #: 63130-2

Pigtail Splice / Thru Splice, 1500 – 5000 CMA, Uninsulated, Serrated, Brass, 3 Serration, 8.26 mm [.325 in] Length, Reel, Open Barrel, SPLICE

[View on TE.com >](#)

Terminals & Splices > Splices



Splice Type: **Pigtail Splice, Thru Splice**

Sealable: **No**

Splice Features: **Serrated**

Wire Size: **1500 – 5000 CMA**

Contact Base Material: **Brass**

Features

Product Type Features

Splice Type	Pigtail Splice, Thru Splice
Sealable	No
Compatible With Discrete Wire Type	Solid, Stranded
Wire Insulation Support Retention Type	Non-Insulation Support

Configuration Features

Number of Serrations	3
Compatible With Wire & Cable Type	Discrete Wire

Body Features

Product Weight	.151 g
Splice Features	Serrated

Contact Features

Contact Base Material	Brass
Barrel Type	Open

Mechanical Attachment

Wire Insulation Support	Without
-------------------------	---------

Dimensions

Wire Size	1500 – 5000 CMA
Terminal Material Thickness	.51 mm[.02 in]
Product Length	8.26 mm[.325 in]

Usage Conditions

Insulation Option	Uninsulated
Operating Temperature Range	-40 – 110 °C[-40 – 230 °F]

Operation/Application

Compatible With Wire Base Material	Copper
------------------------------------	--------

Industry Standards

Government Qualified Splice	No
-----------------------------	----

Packaging Features

Packaging Quantity	7500
Packaging Method	Reel

Product Compliance

[For compliance documentation, visit the product page on TE.com>](#)

EU RoHS Directive 2011/65/EU	Compliant
EU ELV Directive 2000/53/EC	Compliant
China RoHS 2 Directive MIIT Order No 32, 2016	有害物质含量符合标准要求 No Restricted Substance(s) Above Threshold
EU REACH Regulation (EC) No. 1907/2006	Current ECHA Candidate List: JUNE 2025 (250) Candidate List Declared Against: JUNE 2025 (250) Does not contain REACH SVHC
Halogen Content	Low Halogen - Br, Cl, F < 900 ppm per homogenous material. Also BFR/CFR/PVC Free
Solder Process Capability	Not applicable for solder process capability

Product Compliance Disclaimer

This information is provided based on reasonable inquiry of our suppliers and represents our current actual knowledge based on the information they provided. This information is subject to change. The part numbers that TE has identified as



EU RoHS compliant have a maximum concentration of 0.1% by weight in homogenous materials for lead, hexavalent chromium, mercury, PBB, PBDE, DBP, BBP, DEHP, DIBP, and 0.01% for cadmium, or qualify for an exemption to these limits as defined in the Annexes of Directive 2011/65/EU (RoHS2). Finished electrical and electronic equipment products will be CE marked as required by Directive 2011/65/EU. Components may not be CE marked. Additionally, the part numbers that TE has identified as EU ELV compliant have a maximum concentration of 0.1% by weight in homogenous materials for lead, hexavalent chromium, and mercury, and 0.01% for cadmium, or qualify for an exemption to these limits as defined in the Annexes of Directive 2000/53/EC (ELV). Regarding the REACH Regulation, the information TE provides on SVHC in articles for this part number is based on the latest European Chemicals Agency (ECHA) 'Guidance on requirements for substances in articles' posted at this URL: <https://echa.europa.eu/guidance-documents/guidance-on-reach>

Compatible Parts



TE Part # 2151546-1
OCEAN_2.0_APPLICATOR-S-110F-RSM



TE Part # 2151546-2
OCEAN_2.0_APPLICATOR-S-110FA-RSA



TE Part # 62754-1
SPLICE 14000-30000 .030 BR



TE Part # 7-2151546-7
OCEAN_2.0_SPARE_PART_KIT-110F



TE Part # 2305570-1
Strip Terminal Cutter-Side Feed-No Crimp



TE Part # 60806-1
SPLICE IS 1600-4100 .0126 BR

Also in the Series | SPLICE



Crimp Wire Pins, Tabs & Ferrules(1)



Splices(63)

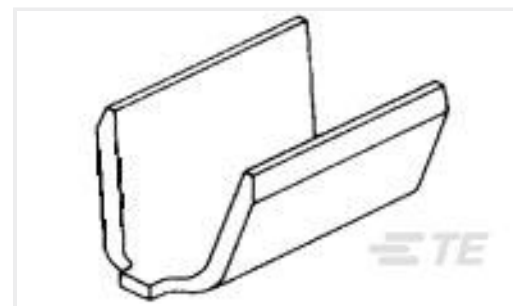
Customers Also Bought



TE Part #580397-000
SCT-NO.4-E2-0-150MM



TE Part #530219P009
RNF-150-1/4-0-1.25IN



TE Part #62357-1
SPLICE 7400-10000 .025 BR



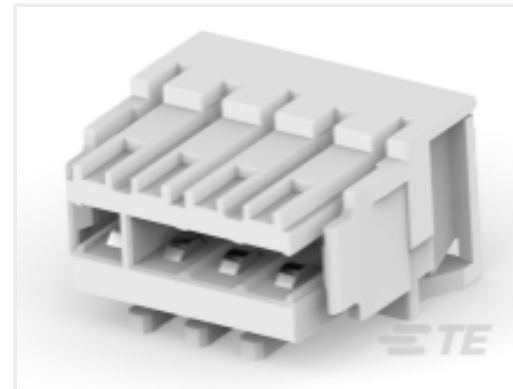
TE Part #62759-1
SPLICE 400-1300 .016 BR



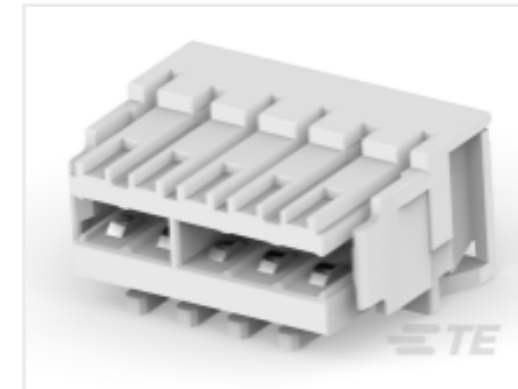
TE Part #1969759-1
Pos Lock 250 M INF SW Hsg 3P MKII V0



TE Part #2238156-2
POS LOCK 250 Rec, MKII, 22-18 BR



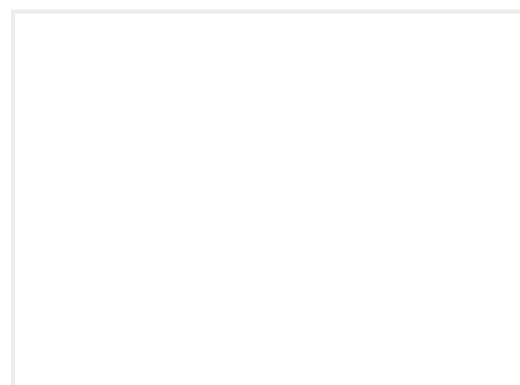
TE Part #2306286-4
4P DUOPLUG MARK II SIDE LOCKING, FUL



TE Part #2306286-5
5P DUOPLUG MARK II SIDE LOCKING, FUL



TE Part #2306286-9
9P DUOPLUG MARK II SIDE LOCKING, FUL



TE Part #356247-1
CLAMP

Documents

Product Drawings

[SPLICE REC. 1500-5000 .020 BR](#)

English

CAD Files

[3D PDF](#)

3D

Customer View Model

[ENG_CVM_CVM_63130-2_AD.2d_dxf.zip](#)

English

Customer View Model

[ENG_CVM_CVM_63130-2_AD.3d_igs.zip](#)

English

Customer View Model

[ENG_CVM_CVM_63130-2_AD.3d_stp.zip](#)

English

By downloading the CAD file I accept and agree to the [Terms and Conditions](#) of use.

Product Specifications



Application Specification

English

Agency Approvals

UL Report

English