



[All Multilock Connector Housing \(127\)](#)

Product Compliance

[For compliance documentation, visit the product page on TE.com>](#)

EU RoHS Directive 2011/65/EU	Compliant
EU ELV Directive 2000/53/EC	Compliant
China RoHS 2 Directive MIIT Order No 32, 2016	有害物质含量符合标准要求 No Restricted Substance(s) Above Threshold
EU REACH Regulation (EC) No. 1907/2006	Current ECHA Candidate List: JUNE 2025 (250) Candidate List Declared Against: JUNE 2025 (250) Does not contain REACH SVHC
Halogen Content	Low Halogen - Br, Cl, F < 900 ppm per homogenous material. Also BFR/CFR/PVC Free
Solder Process Capability	Not applicable for solder process capability

Product Compliance Disclaimer

This information is provided based on reasonable inquiry of our suppliers and represents our current actual knowledge based on the information they provided. This information is subject to change. The part numbers that TE has identified as EU RoHS compliant have a maximum concentration of 0.1% by weight in homogenous materials for lead, hexavalent chromium, mercury, PBB, PBDE, DBP, BBP, DEHP, DIBP, and 0.01% for cadmium, or qualify for an exemption to these limits as defined in the Annexes of Directive 2011/65/EU (RoHS2). Finished electrical and electronic equipment products will be CE marked as required by Directive 2011/65/EU. Components may not be CE marked. Additionally, the part numbers that TE has identified as EU ELV compliant have a maximum concentration of 0.1% by weight in homogenous materials for lead, hexavalent chromium, and mercury, and 0.01% for cadmium, or qualify for an exemption to these limits as defined in the Annexes of Directive 2000/53/EC (ELV). Regarding the REACH Regulation, the information TE provides on SVHC in articles for this part number is based on the latest European Chemicals Agency (ECHA) 'Guidance on requirements for substances in articles' posted at this URL: <https://echa.europa.eu/guidance-documents/guidance-on-reach>

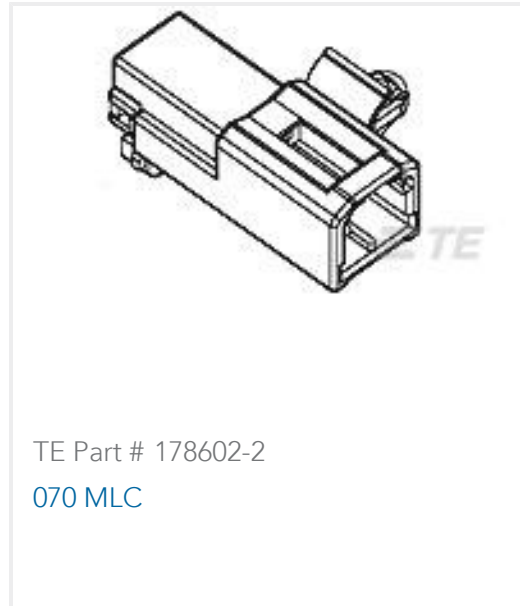
Compatible Parts



TE Part # CAT-M9194-T273
MULTILOCK, RECEPTACLE AND TAB



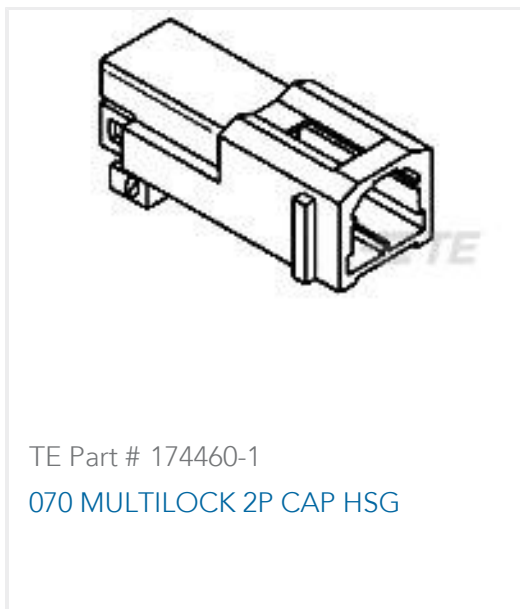
TE Part # 85284-1
070 MLC 2P CAP HSG(CLIP TYPE)



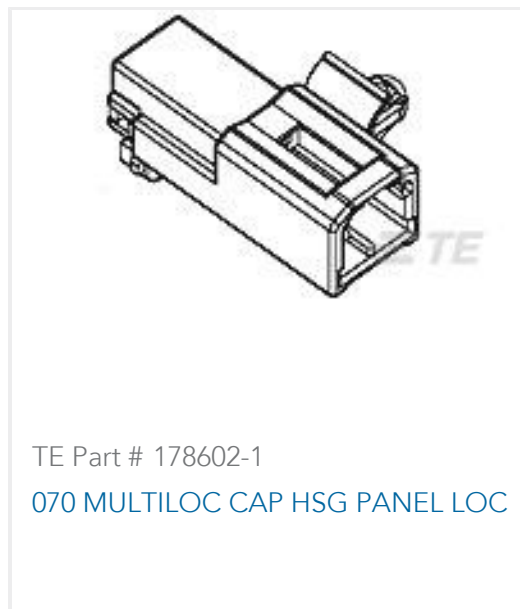
TE Part # 178602-2
070 MLC



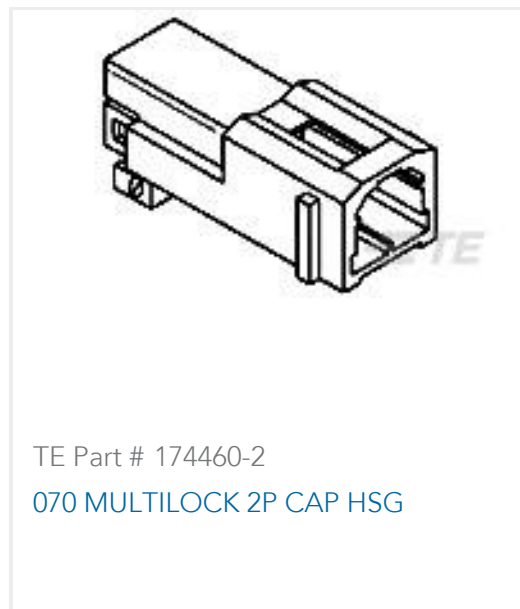
TE Part # 345208-1
070 SERIES RECEPT.



TE Part # 174460-1
070 MULTILOCK 2P CAP HSG



TE Part # 178602-1
070 MULTILOC CAP HSG PANEL LOC



TE Part # 174460-2
070 MULTILOCK 2P CAP HSG

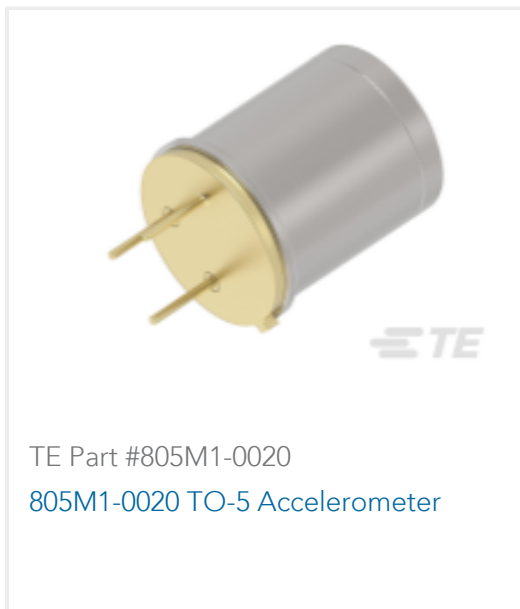


TE Part # 755430-2
EXT,TOOL ASSY



TE Part # 175026-1
070 REC CONTACT L.P 24-22

Customers Also Bought



TE Part #805M1-0020
805M1-0020 TO-5 Accelerometer



TE Part #DT06-6S-CE13
PLG, 6P, BLK, E, SEAL RET, XCAP



TE Part #173631-1
MCI/O REC CONTACT REEL



TE Part #770063-1
01P .093 COMM P&S RECPT HSG



TE Part #770064-1
01P .093 COMM P&S PLUG HSG



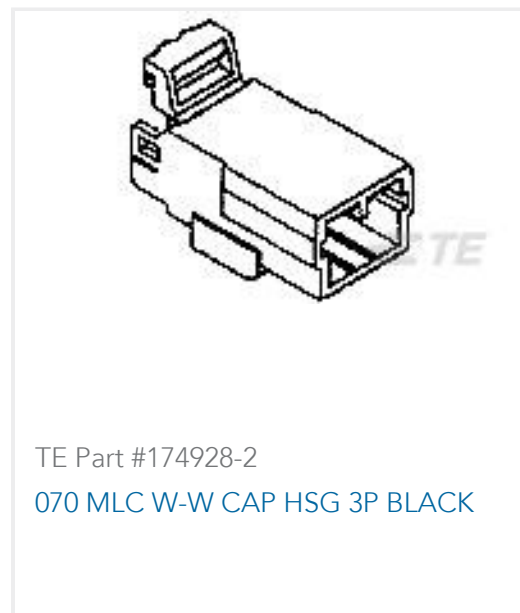
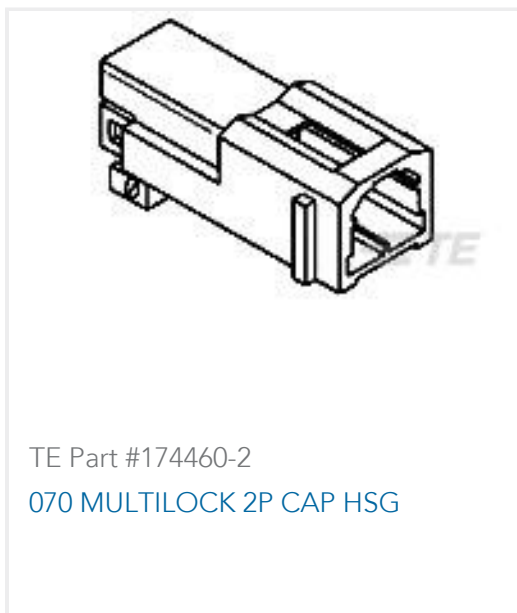
TE Part #1-2176492-9
BMC 0402 600R 25% A Gen C



TE Part #2204529-2
ELCON MINI 3P RA HEADER,SOLDER, STANDARD



TE Part #2306960-1
3POS,AMP MCP 1.5K,REC HSG ASSY, SLD,COD A



Documents

Product Drawings

070 MCL 2P P B

English

CAD Files

3D PDF

3D

Customer View Model

[ENG_CVM_CVM_174463-2_J.2d_dxf.zip](#)

English

Customer View Model

[ENG_CVM_CVM_174463-2_J.3d_igs.zip](#)

English

Customer View Model

[ENG_CVM_CVM_174463-2_J.3d_stp.zip](#)

English

By downloading the CAD file I accept and agree to the [Terms and Conditions](#) of use.

Datasheets & Catalog Pages

MULTILOCK Connector System

English

Product Specifications

Product Specification

Japanese