

352110RFT ✓ ACTIVE

CGS | CGS 3521

TE Internal #: 2176070-1

10 ohm, Thick Film, Power Resistor, 1 %, 2512, 2 W, ± 200 ppm/ $^{\circ}$ C,

Solder, 2 Terminations, .55 mm [.022 in] Height, 6.35 mm [.25 in]

Length, CGS 3521

[View on TE.com >](#)



Passive Components > Resistors > Surface Mount Resistors > SMD Power Resistor: 2 Watt, 3521 Series



Resistor Type: **Power Resistor**

Element Type: **Thick Film**

Package Size Code: **2512**

Power Rating: **2 W**

Resistance Value: **10 Ω**

[All SMD Power Resistor: 2 Watt, 3521 Series \(120\)](#)

Features

Product Type Features

Resistor Type	Power Resistor
Element Type	Thick Film
Package Size Code	2512

Configuration Features

Number of Resistors	1
---------------------	---

Electrical Characteristics

Operating Voltage	250 V
Power Rating	2 W
Resistance Value	10 Ω
Resistance Class	Up to 1k Ω
Passive Component Tolerance	1 %

Termination Features

Surface Mount Resistor Termination Type	Solder
Number of Terminations	2

Dimensions

Product Height	.55 mm [.022 in]
----------------	------------------



Product Length	6.35 mm [.25 in]
----------------	------------------

Product Width	3.2 mm [.126 in]
---------------	------------------

Usage Conditions

Operating Temperature Range	-55 – 155 $^{\circ}\text{C}$ [-67 – 311 $^{\circ}\text{F}$]
-----------------------------	--------------------------------------------------------------

Temperature Coefficient	± 200 ppm/ $^{\circ}\text{C}$
-------------------------	-----------------------------------

Packaging Features

Packaging Method	Taped & Reeled
------------------	----------------

Product Compliance

[For compliance documentation, visit the product page on TE.com>](#)

EU RoHS Directive 2011/65/EU	Compliant with Exemptions
------------------------------	---------------------------

EU ELV Directive 2000/53/EC	Not Compliant
-----------------------------	---------------

China RoHS 2 Directive MIIT Order No 32, 2016	Restricted Materials Above Threshold
-----------------------------------------------	--------------------------------------

EU REACH Regulation (EC) No. 1907/2006	Current ECHA Candidate List: JUNE 2025 (250) Candidate List Declared Against: JAN 2025 (247) Does not contain REACH SVHC
----------------------------------------	--------------------------------------------------------------------------------------------------------------------------------

Halogen Content	Low Halogen - Br, Cl, F < 900 ppm per homogenous material. Also BFR/CFR/PVC Free
-----------------	----------------------------------------------------------------------------------

Solder Process Capability	Reflow solder capable to 260 $^{\circ}\text{C}$
---------------------------	-------------------------------------------------

Product Compliance Disclaimer

This information is provided based on reasonable inquiry of our suppliers and represents our current actual knowledge based on the information they provided. This information is subject to change. The part numbers that TE has identified as EU RoHS compliant have a maximum concentration of 0.1% by weight in homogenous materials for lead, hexavalent chromium, mercury, PBB, PBDE, DBP, BBP, DEHP, DIBP, and 0.01% for cadmium, or qualify for an exemption to these limits as defined in the Annexes of Directive 2011/65/EU (RoHS2). Finished electrical and electronic equipment products will be CE marked as required by Directive 2011/65/EU. Components may not be CE marked. Additionally, the part numbers that TE has identified as EU ELV compliant have a maximum concentration of 0.1% by weight in homogenous materials for lead, hexavalent chromium, and mercury, and 0.01% for cadmium, or qualify for an exemption to these limits as defined in the Annexes of Directive 2000/53/EC (ELV). Regarding the REACH Regulation, the information TE provides on SVHC in articles for this part number is based on the latest European Chemicals Agency (ECHA) 'Guidance on requirements for substances in articles' posted at this URL: <https://echa.europa.eu/guidance-documents/guidance-on-reach>

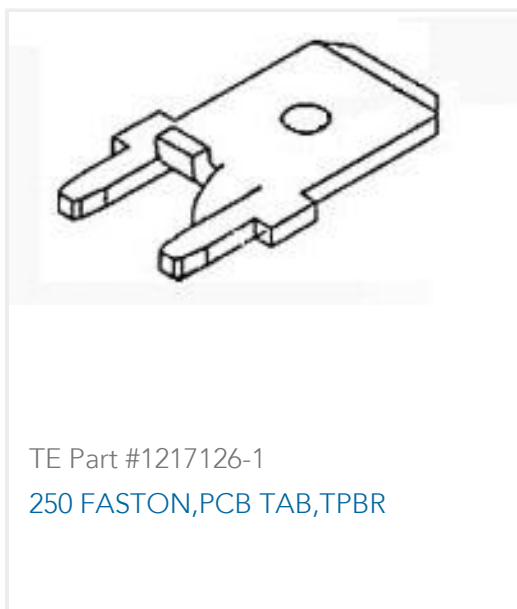
Compatible Parts



Also in the Series | CGS 3521



Customers Also Bought





Documents

CAD Files

3D PDF

3D

Customer View Model

[ENG_CVM_CVM_2176070-1_BB.2d_dxf.zip](#)

English

Customer View Model

[ENG_CVM_CVM_2176070-1_BB.3d_igs.zip](#)

English

Customer View Model

[ENG_CVM_CVM_2176070-1_BB.3d_stp.zip](#)

English

By downloading the CAD file I accept and agree to the [Terms and Conditions](#) of use.

Datasheets & Catalog Pages

[SMD Power Resistor - Type 3521 Series](#)

English