



FPC

TE Internal #: 2328702-6

.5 mm [.02 in] Centerline, Right Angle, Surface Mount, Back Flip-Lock Actuator, Gold Flash, 6 Position, FPC Connectors

[View on TE.com >](#)

Connectors > PCB Connectors > Wire-to-Board Connectors > FFC, FPC & Ribbon Connectors > FPC Connectors



Centerline (Pitch): .5 mm [.02 in]

Mating Retention Type: **Zero Insertion Force (ZIF)**PCB Mount Orientation: **Right Angle**Contact Mating Location: **Dual Side**Termination Method to PCB: **Surface Mount**

Features

Product Type Features

PCB Connector Type	PCB Mount Receptacle
Connector & Contact Terminates To	Printed Circuit Board
Connector Product Type	Connector Assembly
Connector System	Wire-to-Board
FPC Actuator Type	Back Flip-Lock

Configuration Features

Compatible With Wire & Cable Type	FFC, FPC
Number of Rows	1
PCB Mount Orientation	Right Angle
Number of Positions	6

Electrical Characteristics

Operating Voltage	50 VDC
-------------------	--------

Body Features

Primary Product Color	Natural
Actuator Color	Black

Contact Features

Contact Current Rating (Max)	.5 A
Contact Shape & Form	Standard Flat



Contact Layout	Inline
Contact Base Material	Copper Alloy
PCB Contact Termination Area Plating Material	Gold
Contact Mating Location	Dual Side
Contact Mating Area Plating Material	Gold Flash

Termination Features

Termination Method to PCB	Surface Mount
---------------------------	---------------

Mechanical Attachment

Mating Alignment	With
Mating Retention Type	Zero Insertion Force (ZIF)

Housing Features

Housing Material	LCP
Centerline (Pitch)	.5 mm [.02 in]

Dimensions

Accepts Flex Cable Thickness	.3 mm [.012 in]
Connector Height	1 mm [.039 in]
Connector Length	5 mm

Usage Conditions

Operating Temperature Range	-40 – 85 °C [-40 – 185 °F]
-----------------------------	----------------------------

Packaging Features

Packaging Method	Tape & Reel
------------------	-------------

Product Compliance

[For compliance documentation, visit the product page on TE.com>](#)

EU RoHS Directive 2011/65/EU	Compliant
EU ELV Directive 2000/53/EC	Out of Scope
China RoHS 2 Directive MIIT Order No 32, 2016	No Restricted Materials Above Threshold
EU REACH Regulation (EC) No. 1907/2006	Current ECHA Candidate List: JAN 2025 (247) Candidate List Declared Against: JAN 2025 (247) Does not contain REACH SVHC
Halogen Content	Low Halogen - Br, Cl, F, I < 900 ppm per homogenous material. Also BFR/CFR/PVC

Free

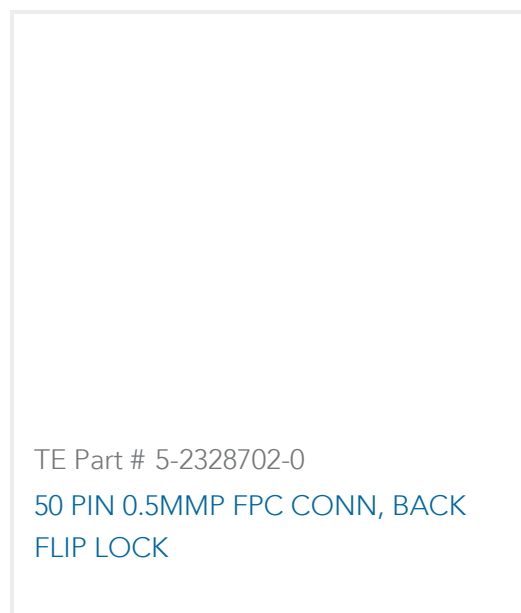
Solder Process Capability

Not reviewed for solder process capability

Product Compliance Disclaimer

This information is provided based on reasonable inquiry of our suppliers and represents our current actual knowledge based on the information they provided. This information is subject to change. The part numbers that TE has identified as EU RoHS compliant have a maximum concentration of 0.1% by weight in homogenous materials for lead, hexavalent chromium, mercury, PBB, PBDE, DBP, BBP, DEHP, DIBP, and 0.01% for cadmium, or qualify for an exemption to these limits as defined in the Annexes of Directive 2011/65/EU (RoHS2). Finished electrical and electronic equipment products will be CE marked as required by Directive 2011/65/EU. Components may not be CE marked. Additionally, the part numbers that TE has identified as EU ELV compliant have a maximum concentration of 0.1% by weight in homogenous materials for lead, hexavalent chromium, and mercury, and 0.01% for cadmium, or qualify for an exemption to these limits as defined in the Annexes of Directive 2000/53/EC (ELV). Regarding the REACH Regulation, the information TE provides on SVHC in articles for this part number is based on the latest European Chemicals Agency (ECHA) 'Guidance on requirements for substances in articles' posted at this URL: <https://echa.europa.eu/guidance-documents/guidance-on-reach>

Compatible Parts



TE Part # 5-2328702-0
50 PIN 0.5MMP FPC CONN, BACK FLIP LOCK

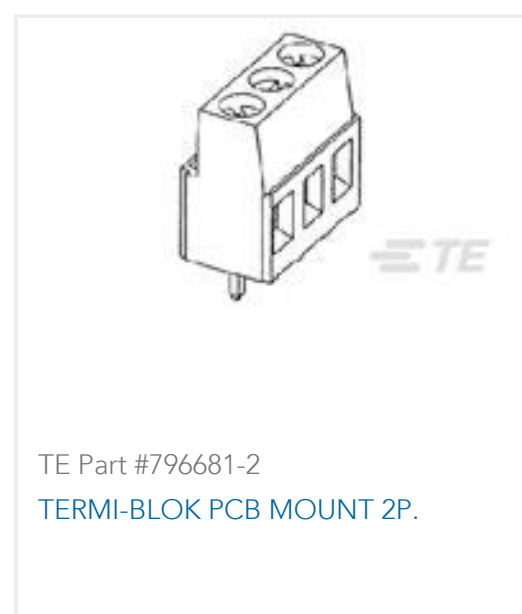


TE Part # 2495219-6
0.5 pitch, 6pin, Vertical, GF, SMT

Customers Also Bought



TE Part #9333-BBE-S-125-000
125PA DIFF. DIGITAL PRESSURE SENSOR



TE Part #796681-2
TERMI-BLOK PCB MOUNT 2P.



TE Part #1-1241150-0
10P MOD II BREAK AWAY HDR,SMD, BLISTER



TE Part #6-1393224-0
RY213005



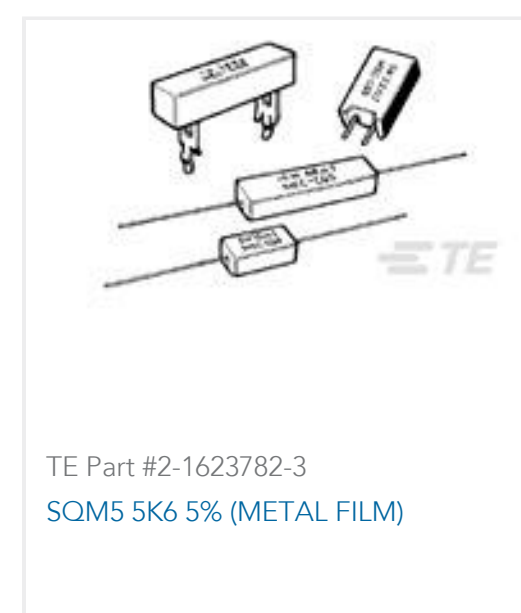
TE Part #2-1393480-8
V23529B1122B209=SUB D FEDERLEI



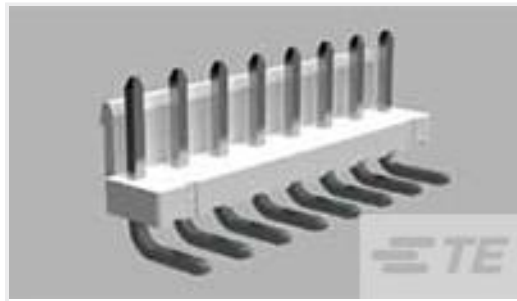
TE Part #9-1415029-1
PB114024



TE Part #2-1437186-9
FST-21A-15



TE Part #2-1623782-3
SQM5 5K6 5% (METAL FILM)



TE Part #8-1744056-2
3.96 EP HDR ASSY 2P R/A HT,TAPE



TE Part #1932869-2
FBIS-II REC ASSY 6 POS, 1.27um Gold

Documents

CAD Files

[3D PDF](#)

3D

Customer View Model

[ENG_CVM_CVM_2328702-6_A.2d_dxf.zip](#)

English

Customer View Model

[ENG_CVM_CVM_2328702-6_A.3d_igs.zip](#)

English

Customer View Model

[ENG_CVM_CVM_2328702-6_A.3d_stp.zip](#)

English

By downloading the CAD file I accept and agree to the [Terms and Conditions](#) of use.

Datasheets & Catalog Pages

[1-1773959-7-FPC-Connectors-CN](#)

English

Product Specifications

[Product Specification](#)

English

[Product Specification](#)

English