

PCF-112D2M,000 × OBSOLETE

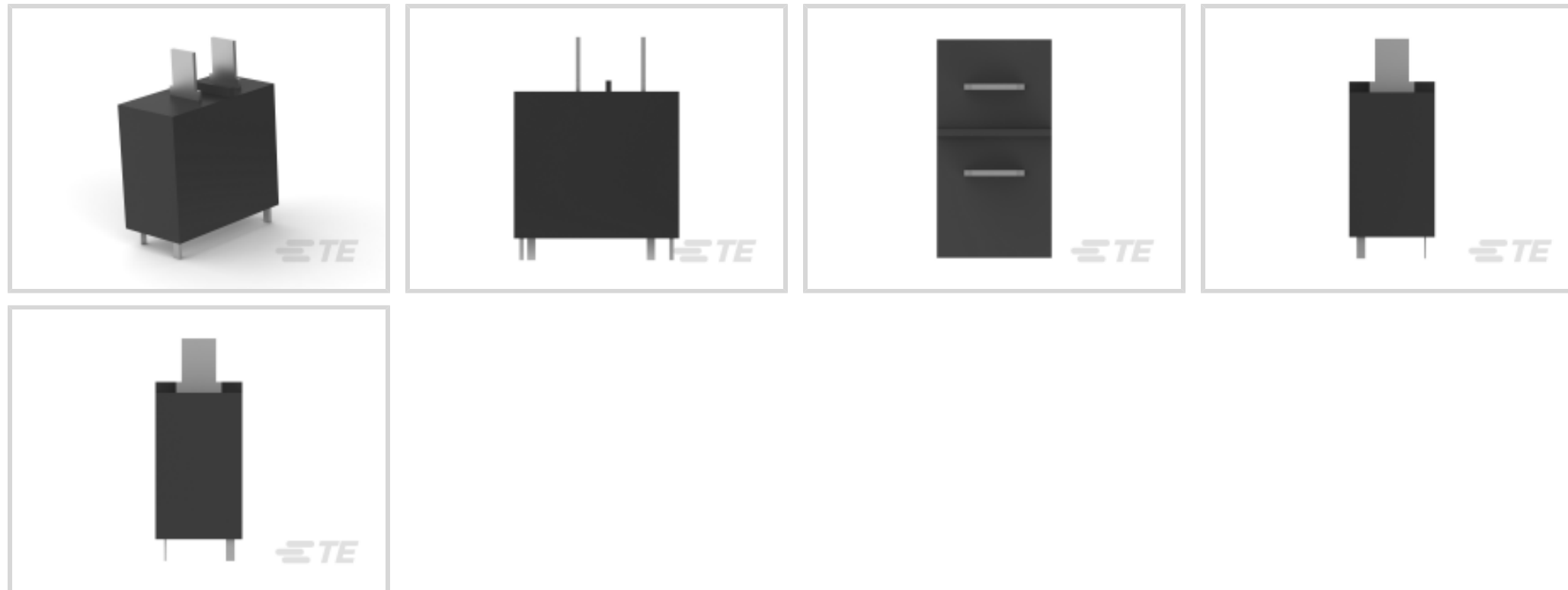
OEG | OEG Miniature Relay PCF

TE Internal #: 3-1419153-4

TE Internal Description: PCF-112D2M,000

Slim PCB Relay, PCN 3A/5A, 5VDC

[View on TE.com >](#)



[All Slim PCB Relay, PCN 3A/5A, 5VDC \(2\)](#)

Product Compliance

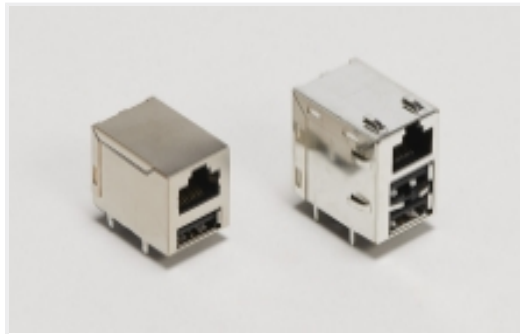
[For compliance documentation, visit the product page on TE.com>](#)

EU RoHS Directive 2011/65/EU	Compliant
EU ELV Directive 2000/53/EC	Compliant
China RoHS 2 Directive MIIT Order No 32, 2016	有害物质含量符合标准要求 No Restricted Substance(s) Above Threshold
EU REACH Regulation (EC) No. 1907/2006	Current ECHA Candidate List: JUNE 2025 (250) Candidate List Declared Against: JUNE 2022 (224) Does not contain REACH SVHC
Halogen Content	Not Low Halogen - contains Br or Cl > 900 ppm.
Solder Process Capability	Wave solder capable to 265°C

Product Compliance Disclaimer

This information is provided based on reasonable inquiry of our suppliers and represents our current actual knowledge based on the information they provided. This information is subject to change. The part numbers that TE has identified as EU RoHS compliant have a maximum concentration of 0.1% by weight in homogenous materials for lead, hexavalent chromium, mercury, PBB, PBDE, DBP, BBP, DEHP, DIBP, and 0.01% for cadmium, or qualify for an exemption to these limits as defined in the Annexes of Directive 2011/65/EU (RoHS2). Finished electrical and electronic equipment products will be CE marked as required by Directive 2011/65/EU. Components may not be CE marked. Additionally, the part numbers that TE has identified as EU ELV compliant have a maximum concentration of 0.1% by weight in homogenous materials for lead, hexavalent chromium, and mercury, and 0.01% for cadmium, or qualify for an exemption to these limits as defined in the Annexes of Directive 2000/53/EC (ELV). Regarding the REACH Regulation, the information TE provides on SVHC in articles for this part number is based on the latest European Chemicals Agency (ECHA) 'Guidance on requirements for substances in articles' posted at this URL: <https://echa.europa.eu/guidance-documents/guidance-on-reach>

Also in the Series | OEG Miniature Relay PCF



Combo Jacks(1)



Connector Contacts(1)



Power Contacts(1)

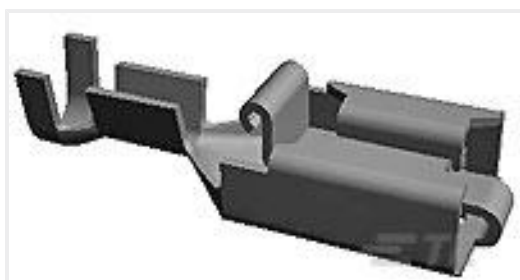


RJ14 Connectors(1)

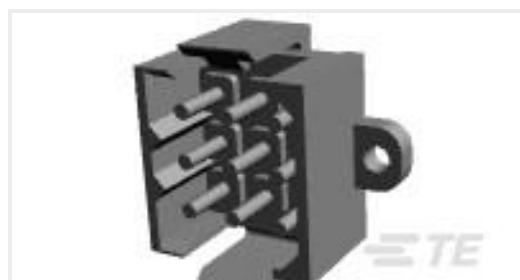


RJ25 Connectors(7)

Customers Also Bought



TE Part #170265-2
PL 250 REC 12-10 AWG 0.406 X 42.3



TE Part #1-207441-0
METRIMATE PIN HDR ASY,9P LF



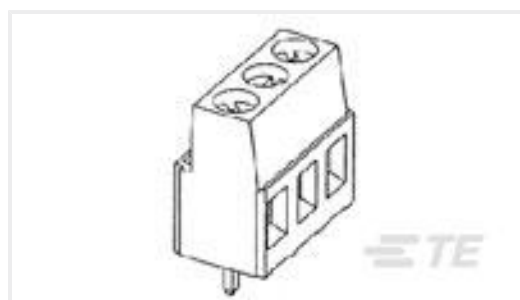
TE Part #641972-3
09P UMNL PIN HDR ASSY 94VO LF



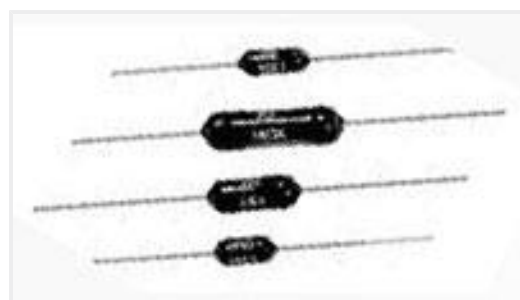
TE Part #641974-3
12P UMNL PIN HDR ASSY 94VO LF



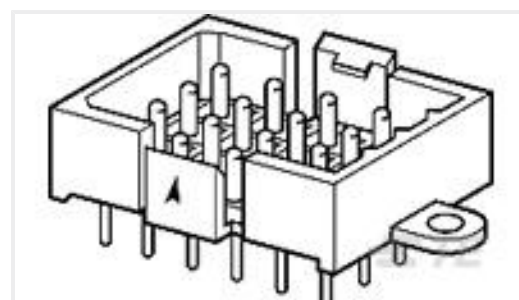
TE Part #643430-1
15P UMNL HDR ASSY POL 94VO



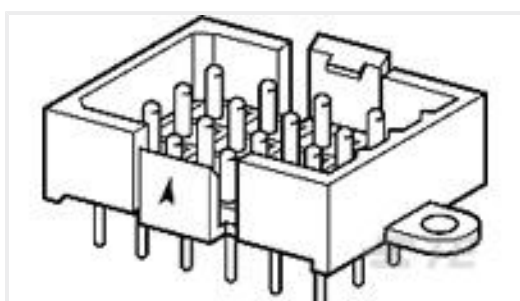
TE Part #1-796683-0
TERMI-BLOK PCB MOUNT 90 10P.



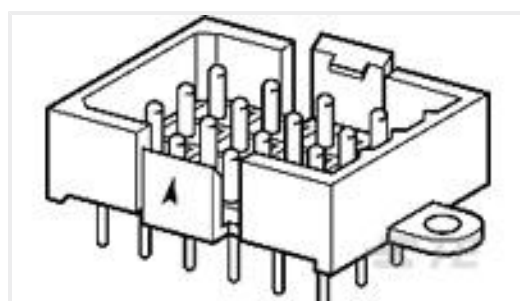
TE Part #5-1879663-5
H8 392R 0.1% 15PPM



TE Part #1986567-1
METRIMATE PIN HDR ASY,9P LF



TE Part #1986569-1
METRIMATE PIN HDR ASY,12P LF



TE Part #1986647-1
SKT HDR ASSY,9P,MMATE LF



Documents

Product Drawings

[PCF-112D2M,000](#)

English

CAD Files

[3D PDF](#)

3D

Customer View Model

[ENG_CVM_CVM_3-1419153-4_B_c-3-1419153-4-b.2d_dxf.zip](#)

English

Customer View Model

[ENG_CVM_CVM_3-1419153-4_B_c-3-1419153-4-b.3d_igs.zip](#)

English

Customer View Model

[ENG_CVM_CVM_3-1419153-4_B_c-3-1419153-4-b.3d_stp.zip](#)

English

By downloading the CAD file I accept and agree to the [Terms and Conditions](#) of use.

Datasheets & Catalog Pages

[PCF Series Relay Data Sheet - English](#)

English

Product Specifications

[PCF-112D2M,000 Spec sheet](#)

Japanese

[Definitions General Purpose Relays](#)

English