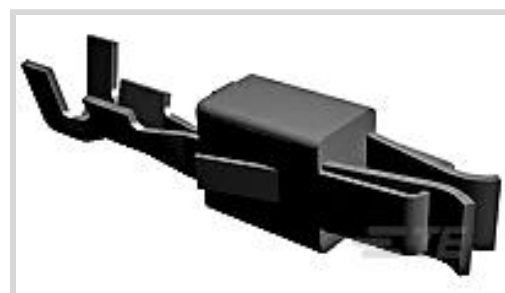




Automotive Parts > Automotive Terminals > TIMER, RECEPTACLE AND TAB



Terminal Type: **Receptacle**

Wire Size: **20 – 17 AWG**

Mating Tab Width: **2.8 mm [.11 in]**

Interface Plating: **Tin (Sn)**

[All TIMER, RECEPTACLE AND TAB \(280\)](#)

Features

Product Type Features

Receptacle Style	180°
Primary Locking Feature	Locking Lance
Sealable	No

Body Features

Terminal Seal Type	Unsealed
--------------------	----------

Contact Features

Typical Current Rating	30 A
Crimp Type	F-Crimp
Contact Size	2.8mm
Contact Fabrication	Stamped & Formed
Wire Contact Termination Area Plating Material	Tin
Terminal Type	Receptacle
Mating Tab Width	2.8 mm [.11 in]
Interface Plating	Tin (Sn)
Mating Tab Thickness	.8 mm [.031 in]

Termination Features

Termination Method to Wire & Cable	Crimp
------------------------------------	-------



Product Terminates To

Wire

Dimensions

Compatible Insulation Diameter Range

2 – 2.7 mm [.079 – .106 in]

Wire Size

20 – 17 AWG

Wire Size Search

.5 mm², .6 mm², .75 mm², 1 mm²

Tab Length

18.8 mm [.74 in]

Usage Conditions

Insulation Option

Uninsulated

Operating Temperature (Max)

130 °C [266 °F]

Operating Temperature Range

-40 – 130 °C [-40 – 266 °F]

Operation/Application

Compatible With Wire Base Material

Copper

Industry Standards

Compatible With Agency/Standards Products

DIN 72 551 Part 6, DIN ISO 6722 part 3

Packaging Features

Packaging Method

Reel

Packaging Quantity

4000

Other

Terminal Transmits

25 – 40 A (Power)

Product Compliance

For compliance documentation, visit the product page on [TE.com](https://www.te.com)>

EU RoHS Directive 2011/65/EU

Compliant

EU ELV Directive 2000/53/EC

Compliant

China RoHS 2 Directive MIIT Order No 32, 2016

有害物质含量符合标准要求 No Restricted Substance(s) Above Threshold

EU REACH Regulation (EC) No. 1907/2006

Current ECHA Candidate List: JUNE 2025 (250)
 Candidate List Declared Against: JUNE 2025 (250)
 Does not contain REACH SVHC

Halogen Content

Low Halogen - Br, Cl, F < 900 ppm per homogenous material. Also BFR/CFR/PVC Free

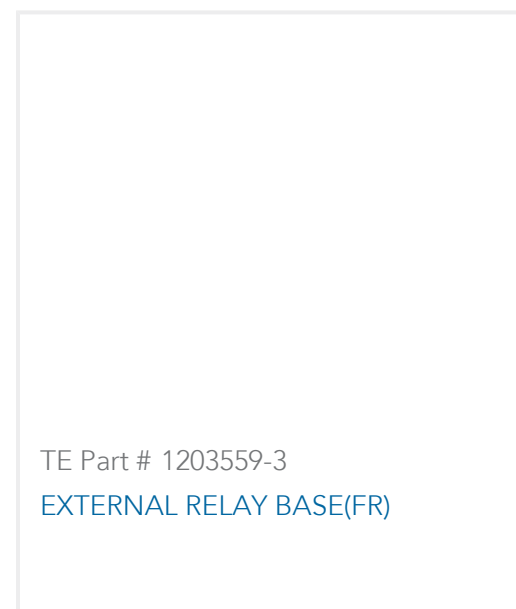
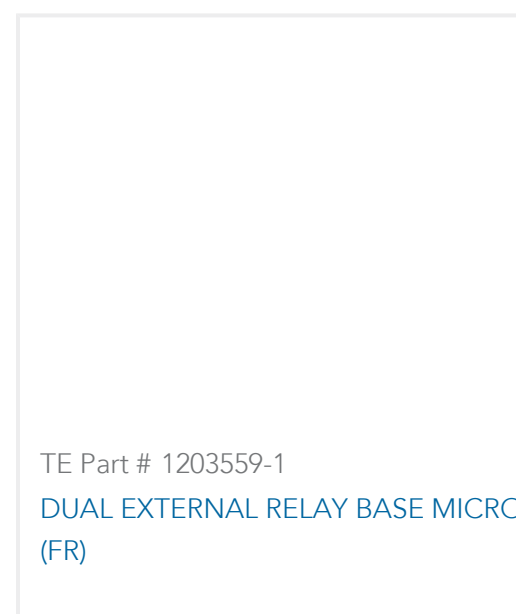
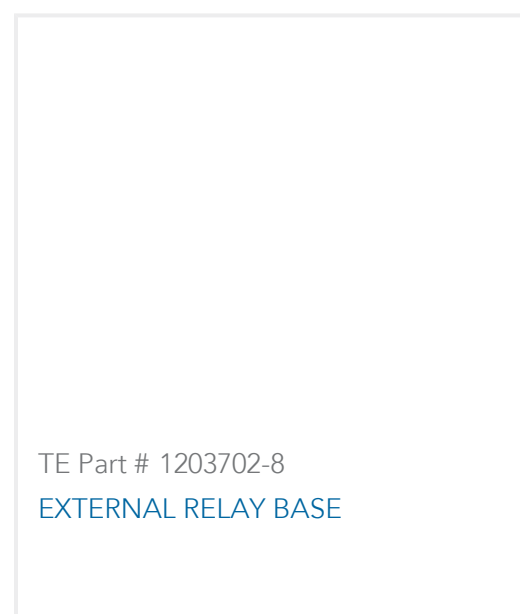
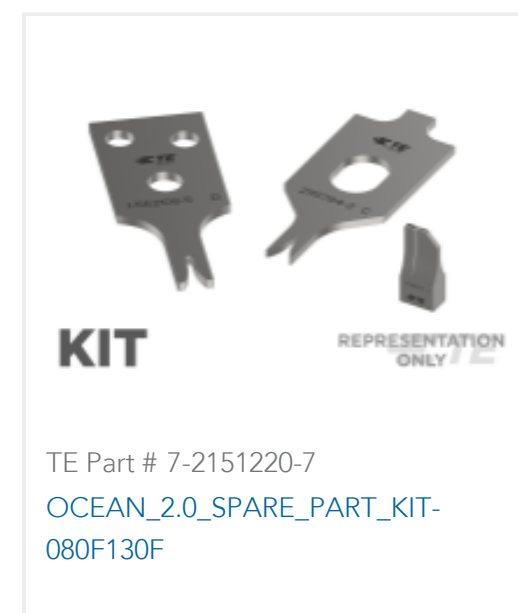
Solder Process Capability

Not applicable for solder process capability

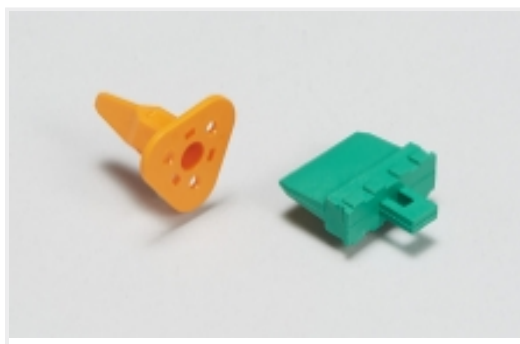
Product Compliance Disclaimer

This information is provided based on reasonable inquiry of our suppliers and represents our current actual knowledge based on the information they provided. This information is subject to change. The part numbers that TE has identified as EU RoHS compliant have a maximum concentration of 0.1% by weight in homogenous materials for lead, hexavalent chromium, mercury, PBB, PBDE, DBP, BBP, DEHP, DIBP, and 0.01% for cadmium, or qualify for an exemption to these limits as defined in the Annexes of Directive 2011/65/EU (RoHS2). Finished electrical and electronic equipment products will be CE marked as required by Directive 2011/65/EU. Components may not be CE marked. Additionally, the part numbers that TE has identified as EU ELV compliant have a maximum concentration of 0.1% by weight in homogenous materials for lead, hexavalent chromium, and mercury, and 0.01% for cadmium, or qualify for an exemption to these limits as defined in the Annexes of Directive 2000/53/EC (ELV). Regarding the REACH Regulation, the information TE provides on SVHC in articles for this part number is based on the latest European Chemicals Agency (ECHA) 'Guidance on requirements for substances in articles' posted at this URL: <https://echa.europa.eu/guidance-documents/guidance-on-reach>

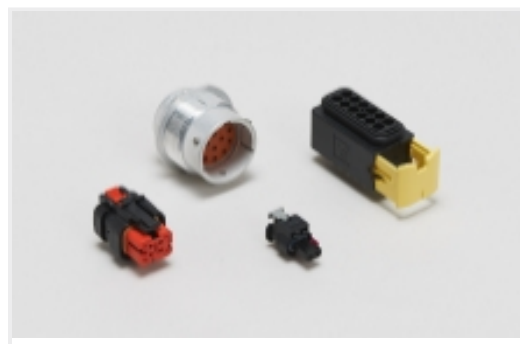
Compatible Parts



Also in the Series | [Junior Power Timer](#)



Automotive Connector Locks & Position Assurance(8)



Automotive Housings(279)



Automotive Seals & Cavity Plugs(8)



Automotive Signal & Power Connector Housings(275)



Busbars & Terminals(1)

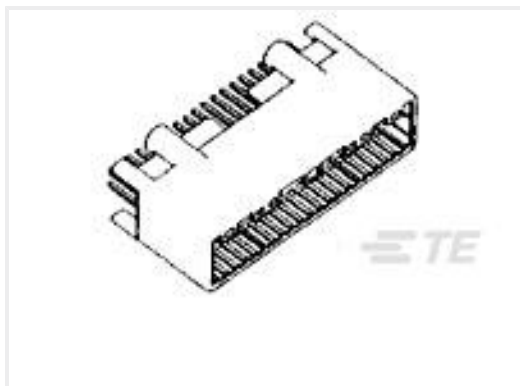


Module Components(1)



Other Automotive Connector Accessories(3)

Customers Also Bought



TE Part #1376113-1
025 CAP ASSY V-TYPE 40P



TE Part #2013029-4
0.50 SERIES 24POS CAP ASSY(SMT TYPE)



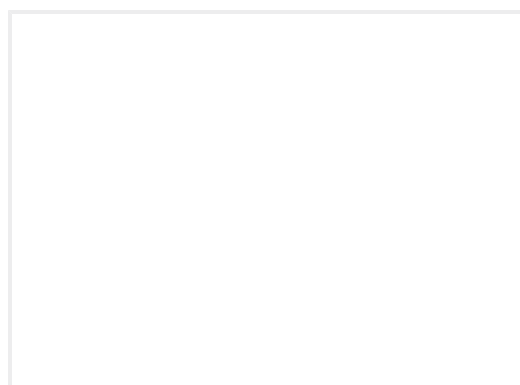
TE Part #1-2295435-1
36POS, HYBRID, HDR ASSY, 180DEG, SMD



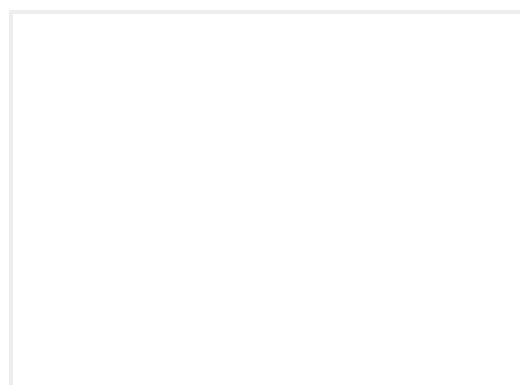
TE Part #1-2295435-2
36POS, HYBRID, HDR ASSY, 180DEG, SMD



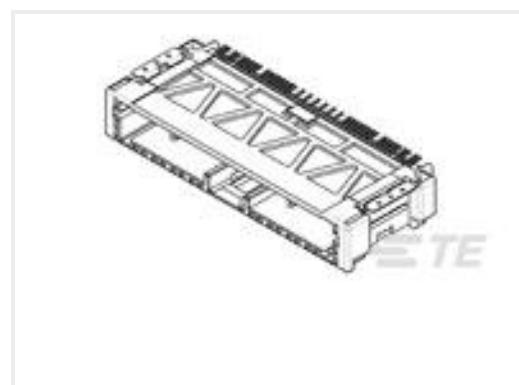
TE Part #CAT-SIGH262
Signal Header



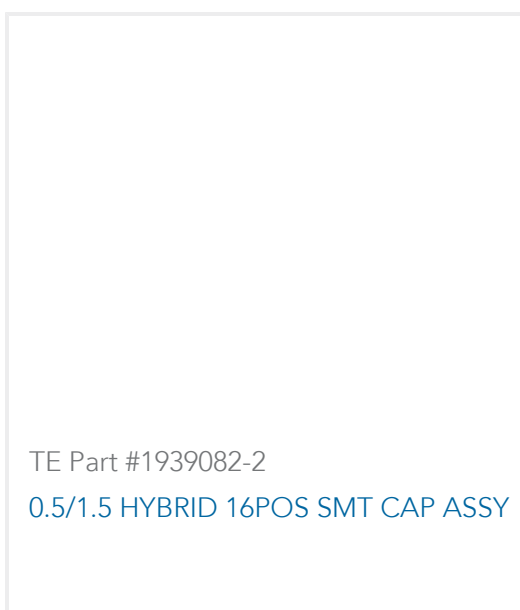
TE Part #1376111-8
025 24POS CAP ASSY V 3 Au



TE Part #1554558-1
0.64/1.5 13POSITION CAP ASSY S



TE Part #1871806-1
0.50 SERIES 40POS CAP ASSEMBLY (SMT TYPE)



TE Part #1939082-2
0.5/1.5 HYBRID 16POS SMT CAP ASSY

Documents



CAD Files

Customer View Model

[ENG_CVM_927775-3_N.3d_igs.zip](#)

English

Customer View Model

[ENG_CVM_927775-3_N.3d_stp.zip](#)

English

Customer View Model

[ENG_CVM_927775-3_N.2d_dxf.zip](#)

English

3D PDF

English

By downloading the CAD file I accept and agree to the [Terms and Conditions](#) of use.

Product Specifications

Application Specification

German

Application Specification

English