

968271-1 ✓ ACTIVE

AMP | Timer Connector System

TE Internal #: 968271-1

Blue, TPA (Terminal Position Assurance), PBT GF, -40 – 140 °C [-40 – 284 °F], Timer Connector System

[View on TE.com >](#)



Automotive Parts > Automotive Connector Accessories > Automotive Connector Locks & Position Assurance >

Unsealed Locks and Position Assurance



Primary Product Color: **Blue**

Connector & Contact Retention Accessory Type: **TPA (Terminal Position Assurance)**

Primary Product Material: **PBT GF**

Operating Temperature Range: **-40 – 140 °C [-40 – 284 °F]**

[All Unsealed Locks and Position Assurance \(9\)](#)

Features

Product Type Features

| | |
|--|-----------------------------------|
| Connector & Contact Retention Accessory Type | TPA (Terminal Position Assurance) |
|--|-----------------------------------|

Body Features

| | |
|-----------------------|------|
| Primary Product Color | Blue |
|-----------------------|------|

| | |
|--------------------------|--------|
| Primary Product Material | PBT GF |
|--------------------------|--------|

Usage Conditions

| | |
|-----------------------------|----------------------------|
| Operating Temperature Range | -40 – 140 °C[-40 – 284 °F] |
|-----------------------------|----------------------------|

Industry Standards

| | |
|------------------------|---------|
| UL Flammability Rating | UL 94HB |
|------------------------|---------|

Packaging Features

| | |
|------------------|--------|
| Packaging Method | Carton |
|------------------|--------|

Other

| | |
|-------------|-----|
| Serviceable | Yes |
|-------------|-----|

Product Compliance

[For compliance documentation, visit the product page on TE.com>](#)

| | |
|---|---|
| EU RoHS Directive 2011/65/EU | Compliant |
| EU ELV Directive 2000/53/EC | Compliant |
| China RoHS 2 Directive MIIT Order No 32, 2016 | 有害物质含量符合标准要求 No Restricted Substance(s) Above Threshold |
| EU REACH Regulation (EC) No. 1907/2006 | Current ECHA Candidate List: JUNE 2025 (250) Candidate List Declared Against: JUNE 2025 (250) Does not contain REACH SVHC |
| Halogen Content | BFR/CFR/PVC Free, but Br/Cl >900 ppm in other sources. |
| Solder Process Capability | Not applicable for solder process capability |

Product Compliance Disclaimer

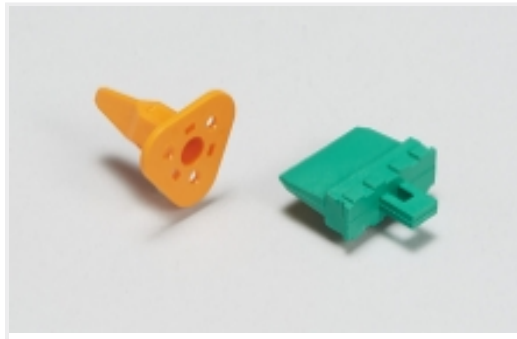
This information is provided based on reasonable inquiry of our suppliers and represents our current actual knowledge based on the information they provided. This information is subject to change. The part numbers that TE has identified as EU RoHS compliant have a maximum concentration of 0.1% by weight in homogenous materials for lead, hexavalent chromium, mercury, PBB, PBDE, DBP, BBP, DEHP, DIBP, and 0.01% for cadmium, or qualify for an exemption to these limits as defined in the Annexes of Directive 2011/65/EU (RoHS2). Finished electrical and electronic equipment products will be CE marked as required by Directive 2011/65/EU. Components may not be CE marked. Additionally, the part numbers that TE has identified as EU ELV compliant have a maximum concentration of 0.1% by weight in homogenous materials for lead, hexavalent chromium, and mercury, and 0.01% for cadmium, or qualify for an exemption to these limits as defined in the Annexes of Directive 2000/53/EC (ELV). Regarding the REACH Regulation, the information TE provides on SVHC in articles for this part number is based on the latest European Chemicals Agency (ECHA) 'Guidance on requirements for substances in articles' posted at this URL: <https://echa.europa.eu/guidance-documents/guidance-on-reach>

Compatible Parts

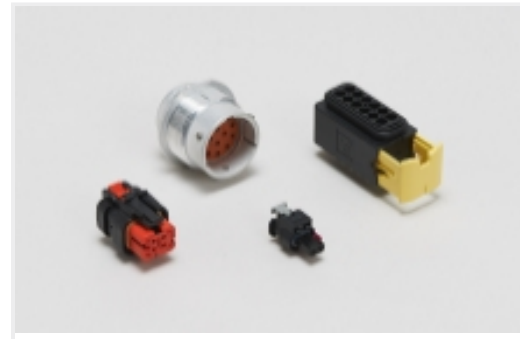


TE Part # CAT-T4827-CH8172
Timer Connector Housing

Also in the Series | [Timer Connector System](#)



Automotive Connector Locks & Position Assurance(15)



Automotive Housings(186)



Automotive Seals & Cavity Plugs(32)



Automotive Signal & Power Connector Housings(136)



Other Automotive Connector Accessories(1)

Customers Also Bought



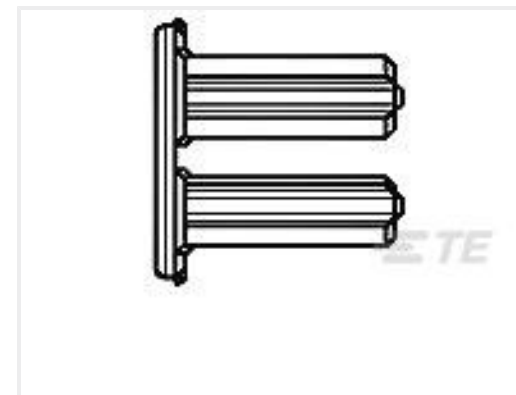
TE Part #176293-4
UNIV POWER CAP HSG 3P P/MOUNT



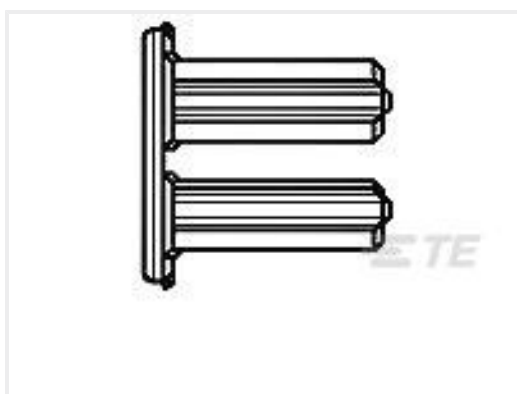
TE Part #CAT-T4827-CH8172
Timer Connector Housing



TE Part #CAT-AM705-CH8173
AMP Unsealed Connector Housing



TE Part #967633-1
2. KONT-SICHERUNG 15P



TE Part #967634-1
2. RETAINER FOR 18POS

Documents

Product Drawings

[2. KONT-SICHERUNG 6P](#)

English

CAD Files

Customer View Model

[ENG_CVM_CVM_968271-1_D.2d_dxf.zip](#)

English

[3D PDF](#)



3D

Customer View Model

[ENG_CVM_CVM_968271-1_D.3d_igs.zip](#)

English

Customer View Model

[ENG_CVM_CVM_968271-1_D.3d_stp.zip](#)

English

By downloading the CAD file I accept and agree to the [Terms and Conditions](#) of use.

Product Specifications

[Application Specification](#)

English