

**CHIP COILS (CHIP INDUCTORS) LQH3NPZ□□□□GR□**  
**Murata Standard Reference Specification [AEC-Q200]**

**1. Scope**

This reference specification applies to chip coils (chip inductors) LQH3NPZ\_GR series for automotive electronics based on AEC-Q200 except for power trains and safeties.

**2. Part Numbering**

(Ex.)

|            |           |                   |                                |          |            |           |               |       |   |
|------------|-----------|-------------------|--------------------------------|----------|------------|-----------|---------------|-------|---|
| LQ         | H         | 3N                | P                              | Z        | 220        | M         | G             | R     | L                                       |
| Product ID | Structure | Dimension (L × W) | Application and characteristic | Category | Inductance | Tolerance | Dimension (T) | Other | Packaging<br>L: ø180 taping<br>*B: bulk |

\*B: Bulk packing is also available.

**3. Part Number and Rating**

|                             |   |                 |
|-----------------------------|---|-----------------|
| Operating temperature range | (ambient temperature not including self-temperature rise) | -40°C to +105°C |
|                             | (product temperature including self-temperature rise)     | -40°C to +125°C |
| Storage temperature range   |   | -40°C to +105°C |

| Customer Part number | Murata Part number | Inductance         |               | DC resistance (Ω) | Self-resonant frequency (MHz min.) | Rated current (mA) <sup>3</sup>         |  |                           | ESD 5 A: 8 kV |
|----------------------|--------------------|--------------------|---------------|-------------------|------------------------------------|---|--|---------------------------|---------------|
|                      |                    | Nominal value (μH) | Tolerance (%) |                   |                                    | Based on inductance change <sup>1</sup> | Based on temperature rise <sup>2</sup> |                           |               |
|                      |                    |                    |               |                   |                                    |   | Ambient temperature 85°C               | Ambient temperature 105°C |               |
|                      | LQH3NPZR47NGRL     | 0.47               | N: ±30        | 0.047±20%         | 180                                | 2820                                    | 2540                                   | 1520                      | 5A            |
|                      | LQH3NPZ1R0MGRL     | 1.0                | M: ±20        | 0.062±20%         | 100                                | 1700                                    | 2080                                   | 1240                      | 5A            |
|                      | LQH3NPZ1R5MGRL     | 1.5                | M: ±20        | 0.074±20%         | 80                                 | 1400                                    | 2040                                   | 1220                      | 5A            |
|                      | LQH3NPZ2R2MGRL     | 2.2                | M: ±20        | 0.087±20%         | 50                                 | 1180                                    | 1730                                   | 1030                      | 5A            |
|                      | LQH3NPZ3R3MGRL     | 3.3                | M: ±20        | 0.12±20%          | 30                                 | 1050                                    | 1580                                   | 940                       | 5A            |
|                      | LQH3NPZ4R7MGRL     | 4.7                | M: ±20        | 0.14±20%          | 27                                 | 850                                     | 1520                                   | 910                       | 5A            |
|                      | LQH3NPZ6R8MGRL     | 6.8                | M: ±20        | 0.23±20%          | 25                                 | 720                                     | 1140                                   | 680                       | 5A            |
|                      | LQH3NPZ100MGRL     | 10                 | M: ±20        | 0.28±20%          | 20                                 | 570                                     | 1120                                   | 670                       | 5A            |
|                      | LQH3NPZ150MGRL     | 15                 | M: ±20        | 0.39±20%          | 15                                 | 480                                     | 900                                    | 540                       | 5A            |
|                      | LQH3NPZ220MGRL     | 22                 | M: ±20        | 0.53±20%          | 10                                 | 390                                     | 750                                    | 450                       | 5A            |
|                      | LQH3NPZ330MGRL     | 33                 | M: ±20        | 0.86±20%          | 8                                  | 320                                     | 600                                    | 360                       | 5A            |
|                      | LQH3NPZ470MGRL     | 47                 | M: ±20        | 1.4±20%           | 5                                  | 260                                     | 460                                    | 270                       | 5A            |

\*1 When rated current is applied to the products, inductance will be within ±30% of initial inductance value range.

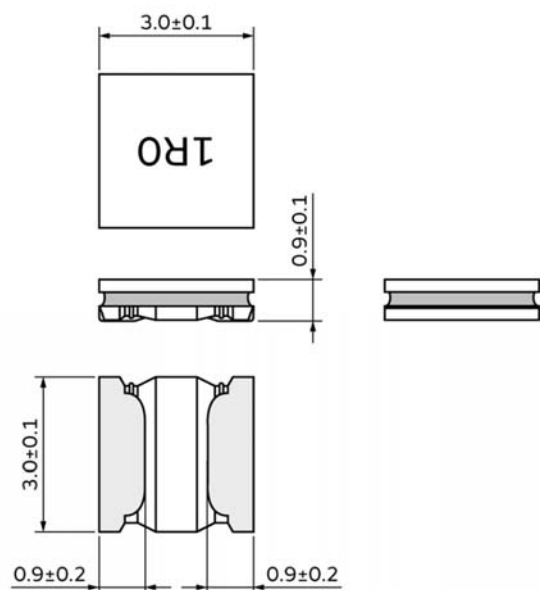
\*2 When rated current is applied to the products, temperature rise caused by self-generated heat shall be limited to 40°C max (ambient temperature 85°C max).

When rated current is applied to the products, temperature rise caused by self-generated heat shall be limited to 20°C max (ambient temperature 85°C to 105°C).

\*3 Keep the temperature (ambient temperature plus self-generation of heat) under 125°C.

**4. Testing Conditions**

|                            |   |
|----------------------------|---|
| Unless otherwise specified | Temperature: ordinary temperature (15°C to 35°C)<br>Humidity: ordinary humidity [25% to 85% (RH)] |
| In case of doubt           | Temperature: 20°C±2°C<br>Humidity: 60% to 70% (RH)<br>Atmospheric pressure: 86 kPa to 106 kPa     |

**5. Appearance and Dimensions**

(in mm)

Unit mass (typical value): 0.034 g

**6. Marking**

| Inductance   | 3 digits |
|--------------|----------|
| 0.47 $\mu$ H | R47      |
| 1.0 $\mu$ H  | 1R0      |
| 10 $\mu$ H   | 100      |

**7. Electrical Performance**

| No. | Item                    | Specification           | Test method   |
|-----|-------------------------|-------------------------|---|
| 7.1 | Inductance              | Meet chapter 3 ratings. | Measuring equipment: Keysight 4192A or the equivalent<br>Measuring frequency: 1 MHz |
| 7.2 | DC resistance           | Meet chapter 3 ratings. | Measuring equipment: digital multimeter   |
| 7.3 | Self-resonant frequency | Meet chapter 3 ratings. | Measuring equipment: Keysight E4991A or the equivalent                              |

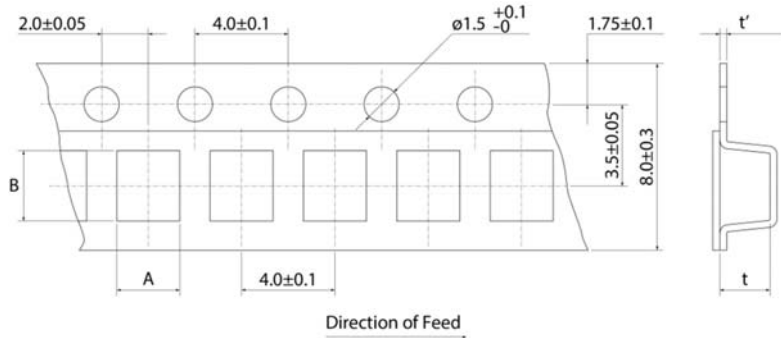
**8. AEC-Q200 Requirement****8.1 Performance [based on table 5 for magnetics (inductors/transformer) AEC-Q200 Rev. D issued June 1, 2010]**

| AEC-Q200                     |                           |  | Murata specification/deviation   |            |           |                              |                  |                      |                  |
|------------------------------|---------------------------|--|--|------------|-----------|------------------------------|------------------|----------------------|------------------|
| No.                          | Stress                    | Test method  |  |            |           |                              |                  |                      |                  |
| 3                            | High temperature exposure | 1000 h at 125°C<br>Set for 24 h at room condition, then measured.                | Meet table A after testing.<br>Table A <table border="1"> <tr> <td>Appearance</td> <td>No damage</td> </tr> <tr> <td>Inductance change (at 1 MHz)</td> <td>Within <math>\pm</math>10%</td> </tr> <tr> <td>DC resistance change</td> <td>Within <math>\pm</math>10%</td> </tr> </table> | Appearance | No damage | Inductance change (at 1 MHz) | Within $\pm$ 10% | DC resistance change | Within $\pm$ 10% |
| Appearance                   | No damage                 |  |  |            |           |                              |                  |                      |                  |
| Inductance change (at 1 MHz) | Within $\pm$ 10%          |  |  |            |           |                              |                  |                      |                  |
| DC resistance change         | Within $\pm$ 10%          |  |  |            |           |                              |                  |                      |                  |
| 4                            | Temperature cycling       | 1000 cycles<br>-40°C to +105°C<br>Set for 24 h at room condition, then measured. | Meet table A after testing.  |            |           |                              |                  |                      |                  |
| 7                            | Biased humidity           | 1000 h at 85°C, 85% (RH). Unpowered.   | Meet table A after testing.  |            |           |                              |                  |                      |                  |

| AEC-Q200                     |                              |   | Murata specification/deviation   |            |           |                              |             |                      |             |
|------------------------------|------------------------------|---|--|------------|-----------|------------------------------|-------------|----------------------|-------------|
| No.                          | Stress                       | Test method   |  |            |           |                              |             |                      |             |
| 8                            | Operational life             | Apply rated current 85°C 1000 h<br>Set for 24 h at room condition, then measured. | Meet table A after testing.  |            |           |                              |             |                      |             |
| 9                            | External visual              | Visual inspection   | No abnormalities   |            |           |                              |             |                      |             |
| 10                           | Physical dimension           | Meet chapter 5, "Appearance and Dimensions".                                      | No defects   |            |           |                              |             |                      |             |
| 12                           | Resistance to solvents       | Per MIL-STD-202<br>Method 215   | Not applicable   |            |           |                              |             |                      |             |
| 13                           | Mechanical shock             | Per MIL-STD-202<br>Method 213<br>Condition C:<br>100 g's/6 ms/half sine           | Meet table A after testing.  |            |           |                              |             |                      |             |
| 14                           | Vibration                    | 5 g's for 20 min, 12 cycles each of 3 orientations<br>Test from 10 Hz to 2000 Hz  | Meet table A after testing.  |            |           |                              |             |                      |             |
| 15                           | Resistance to soldering heat | No-heating<br>Solder temperature<br>260°C±5°C<br>Immersion time 10 s              | Pre-heating: 150°C to 180°C/90 s±30 s<br>Meet table B after testing.<br>Table B <table border="1" data-bbox="874 819 1401 927"> <tr> <td>Appearance</td> <td>No damage</td> </tr> <tr> <td>Inductance change (at 1 MHz)</td> <td>Within ±20%</td> </tr> <tr> <td>DC resistance change</td> <td>Within ±10%</td> </tr> </table> | Appearance | No damage | Inductance change (at 1 MHz) | Within ±20% | DC resistance change | Within ±10% |
| Appearance                   | No damage                    |   |  |            |           |                              |             |                      |             |
| Inductance change (at 1 MHz) | Within ±20%                  |   |  |            |           |                              |             |                      |             |
| DC resistance change         | Within ±10%                  |   |  |            |           |                              |             |                      |             |
| 17                           | ESD                          | Per AEC-Q200-002  | Meet chapter 3 ratings.<br>No defects  |            |           |                              |             |                      |             |
| 18                           | Solderability                | Per J-STD-002   | Method b: not applicable<br>95% of the terminations is to be soldered (except exposed wire).   |            |           |                              |             |                      |             |
| 19                           | Electrical characterization  | Measured: inductance  | No defects   |            |           |                              |             |                      |             |
| 20                           | Flammability                 | Per UL-94   | Not applicable   |            |           |                              |             |                      |             |
| 21                           | Board flex                   | Epoxy-PCB (1.6 mm)<br>Deflection 2 mm (min.)<br>60 s minimum holding time         | Holding time: 5 s<br>Meet table A after testing.   |            |           |                              |             |                      |             |
| 22                           | Terminal strength            | Per AEC-Q200-006<br>A force of 17.7 N for 60 s                                    | No defect  |            |           |                              |             |                      |             |

**9. Specification of Packaging**

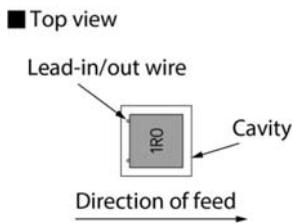
**9.1 Appearance and dimensions of tape (8 mm width/plastic tape)**



|    |         |
|----|---------|
| A  | 3.3±0.1 |
| B  | 3.3±0.1 |
| t  | 1.1±0.1 |
| t' | (0.3)   |

(in mm)

\* The dimensions of the cavity are measured at its bottom.



**9.2 Taping specifications**

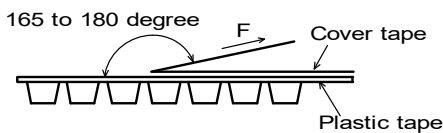
|                                      |  |
|--------------------------------------|--|
| Packing quantity (Standard quantity) | 3000 pcs/reel  |
| Packing method                       | The products are placed in embossed cavities of a plastic tape and sealed by a cover tape.   |
| Feed hole position                   | The feed holes on the plastic tape are on the right side when the cover tape is pulled toward the user.  |
| Joint                                | The plastic tape and the cover tape are seamless.  |
| Number of missing products           | Number of missing products within 0.1% of the number per reel or 1 pc., whichever is greater, and are not continuous. The specified quantity per reel is kept. |

**9.3 Break down force of tape**

|                                  |           |
|----------------------------------|-----------|
| Break down force of plastic tape | 10 N min. |
| Break down force of cover tape   | 5 N min.  |

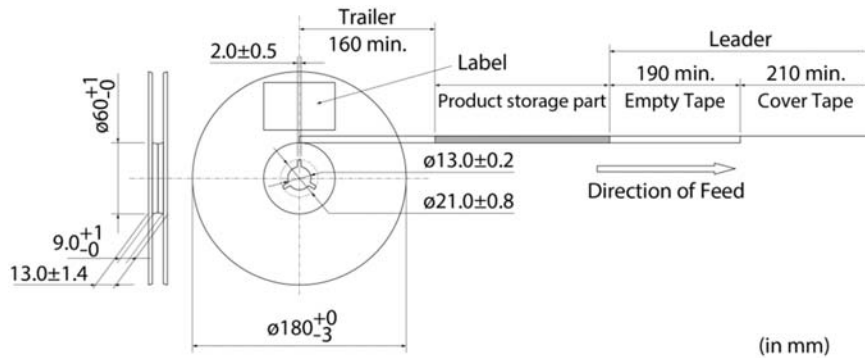
**9.4 Peeling off force of cover tape**

|                      |  |
|----------------------|--|
| Speed of peeling off | 300 mm/min   |
| Peeling off force    | 0.2 N to 0.7 N (The lower limit is for typical value.) |



### 9.5 Dimensions of leader section, trailer section and reel

A vacant section is provided in the leader (start) section and trailer (end) section of the tape for the product. The leader section is further provided with an area consisting only of the cover tape. (See the diagram below.)



### 9.6 Marking for reel

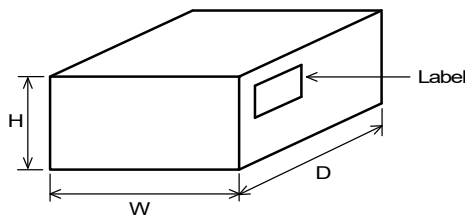
Customer part number, Murata part number, inspection number (\*1), RoHS marking (\*2), quantity, etc.

|  |   |
|--|---|
| *1 Expression of inspection No.:<br>$\frac{\square\square}{(1)} \quad \frac{\circ\circ\circ\circ}{(2)} \quad \frac{\diamond\diamond\diamond}{(3)}$ | (1) Factory code<br>(2) Date<br>First digit: year/last digit of year<br>Second digit: month/Jan. to Sep.→1 to 9, Oct. to Dec.→O, N, D<br>Third, Fourth digit: day<br>(3) Serial No. |
| *2 Expression of RoHS marking:<br>ROHS- $\frac{Y}{(1)} \quad \frac{(\Delta)}{(2)}$   | (1) RoHS regulation conformity<br>(2) Murata classification number  |

### 9.7 Marking on outer box (corrugated box)

Customer name, purchasing order number, customer part number, Murata part number, RoHS marking (\*2), quantity, etc.

### 9.8 Specification of outer box



| Dimensions of outer box (mm)   |     |    | Standard reel quantity in outer box (reel) |
|--|-----|----|--|
| W  | D   | H  |  |
| 186  | 186 | 93 | 5  |
| * Above outer box size is typical. It depends on a quantity of an order. |     |    |  |

## 10. ⚠Caution

### 10.1 Restricted applications

Please contact us before using our products for the applications listed below which require especially high reliability for the prevention of defects which might directly cause damage to the third party's life, body or property.

- |   |   |
|---|---|
| (1) Aircraft equipment<br>(2) Aerospace equipment<br>(3) Undersea equipment<br>(4) Power plant control equipment<br>(5) Medical equipment | (6) Disaster/crime prevention equipment<br>(7) Traffic signal equipment<br>(8) Transportation equipment (trains, ships, etc.)<br>(9) Data-processing equipment<br>(10) Applications of similar complexity and/or reliability requirements to the applications listed in the above |
|---|---|

### 10.2 Precautions on rating

Do not use the products in excess of their rated current. Doing so may cause the product to generate heat, resulting in short circuit between wires, wire breakage, or melted solder, which may cause dropping of parts.

**10.3 Fail-safe**

Be sure to provide an appropriate fail-safe function on your product to prevent a second damage that may be caused by the abnormal function or the failure of our product.

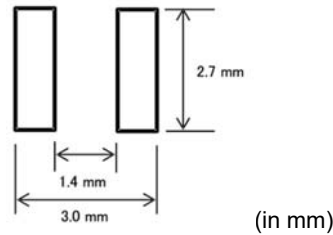
**11. Precautions for Use**

This product is for use only with reflow soldering. It is designed to be mounted by soldering. If you want to use other mounting method, for example, using a conductive adhesive, please consult us beforehand.

**11.1 Land dimensions**

The following diagram shows the recommended land dimensions for reflow soldering.

The land dimensions are designed in consideration of electrical characteristics and mountability. Use of other land dimensions may preclude achievement of performance. In some cases, it may result in poor solderability, including positional shift. If you use other land pattern, consider it adequately.

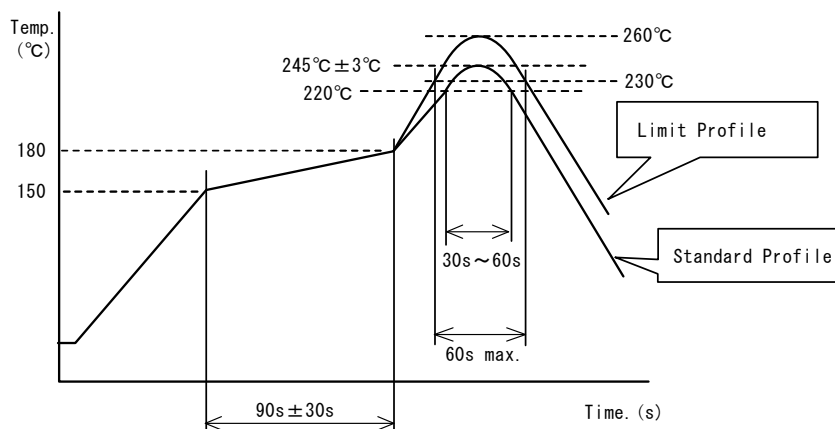
**11.2 Flux and solder used**

|        |  |
|--------|--|
| Flux   | <ul style="list-style-type: none"> <li>• Use a rosin-based flux.</li> <li>• Do not use a highly acidic flux with a halide content exceeding 0.2(wt)% (chlorine conversion value).</li> <li>• Do not use a water-soluble flux.</li> </ul> |
| Solder | <ul style="list-style-type: none"> <li>• Use Sn-3.0Ag-0.5Cu solder.</li> <li>• Standard thickness of solder paste: 100 μm to 150 μm</li> </ul>   |

If you want to use a flux other than the above, please consult our technical department.

**11.3 Soldering conditions (reflow)**

- Pre-heating should be in such a way that the temperature difference between solder and product surface is limited to 100°C max.  
Cooling into solvent after soldering also should be in such a way that the temperature difference is limited to 100°C max. Insufficient pre-heating may cause cracks on the product, resulting in the deterioration of product quality.
- Standard soldering profile and the limit soldering profile is as follows.  
The excessive limit soldering conditions may cause leaching of the electrode and/or resulting in the deterioration of product quality.



|                         | Standard profile           | Limit profile              |
|-------------------------|----------------------------|----------------------------|
| Pre-heating             | 150°C to 180°C/90 s ± 30 s | 150°C to 180°C/90 s ± 30 s |
| Heating                 | Above 220°C/30 s to 60 s   | Above 230°C/60 s max.      |
| Peak temperature        | 245°C ± 3°C                | 260°C/10 s                 |
| Number of reflow cycles | 2 times                    | 2 times                    |

**11.4 Reworking with soldering iron**

The following requirements must be met to rework a soldered product using a soldering iron.

| Item  | Requirement         |
|---|---------------------|
| Pre-heating   | 150°C/approx. 1 min |
| Tip temperature of soldering iron   | 350°C max.          |
| Power consumption of soldering iron   | 80 W max.           |
| Tip diameter of soldering iron  | ø3 mm max.          |
| Soldering time  | 3 s (+1 s, -0 s)    |
| Number of reworking operations  | 2 times max.        |
| * Avoid a direct contact of the tip of the soldering iron with the product. Such a direction contact may cause cracks in the ceramic body due to thermal shock. |                     |

**11.5 Solder volume**

Solder shall be used not to increase the volume too much.

An increased solder volume increases mechanical stress on the product. Exceeding solder volume may cause the failure of mechanical or electrical performance.

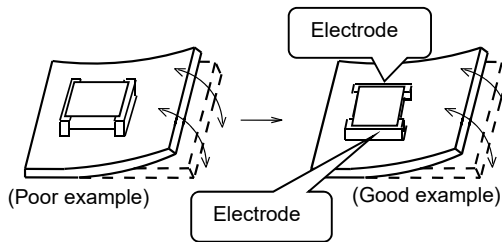
**11.6 Product's location**

The following shall be considered when designing and laying out PCBs.

(1) PCB shall be designed so that products are not subject to mechanical stress due to warping the board.

[Products direction]

Products shall be located in the sideways direction to the mechanical stress.

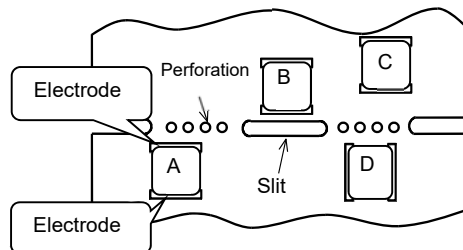


(2) Components location on PCB separation

It is effective to implement the following measures, to reduce stress in separating the board.

It is best to implement all of the following three measures; however, implement as many measures as possible to reduce stress.

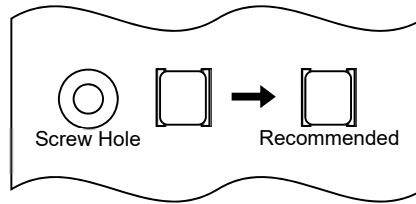
| Contents of measures   | Stress level |
|--|--------------|
| (1) Turn the mounting direction of the component parallel to the board separation surface.   | $A > D^{*1}$ |
| (2) Add slits in the board separation part.  | $A > B$      |
| (3) Keep the mounting position of the component away from the board separation surface.  | $A > C$      |
| *1 $A > D$ is valid when stress is added vertically to the perforation as with hand separation. If a cutting disc is used, stress will be diagonal to the PCB, therefore $A > D$ is invalid. |              |



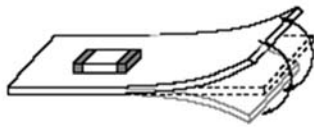
**(3) Mounting components near screw holes**

When a component is mounted near a screw hole, it may be affected by the board deflection that occurs during the tightening of the screw.

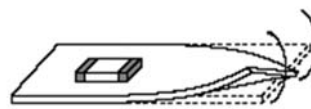
Mount the component in a position as far away from the screw holes as possible.

**11.7 Handling of substrate**

After mounting products on a substrate, do not apply any stress to the product caused by bending or twisting to the substrate when cropping the substrate, inserting and removing a connector from the substrate or tightening screw to the substrate. Excessive mechanical stress may cause cracking in the product.



Bending



Twisting

**11.8 Cleaning**

The product shall be cleaned under the following conditions.

- (1) The cleaning temperature shall be 60°C max. If isopropyl alcohol (IPA) is used, the cleaning temperature shall be 40°C max.
- (2) Perform ultrasonic cleaning under the following conditions. Exercise caution to prevent resonance phenomenon in mounted products and the PCB.

| Item      | Requirement      |
|-----------|------------------|
| Power     | 20 W/L max.      |
| Time      | 5 min max.       |
| Frequency | 28 kHz to 40 kHz |

**(3) Cleaner**

Alcohol-based cleaner: IPA

Aqueous agent: PINE ALPHA ST-100S

- (4) There shall be no residual flux or residual cleaner. When using aqueous agent, rinse the product with deionized water adequately and completely dry it so that no cleaner is left.

\* For other cleaning, consult our technical department.

**11.9 Storage and transportation**

|                    |  |
|--------------------|--|
| Storage period     | Use the product within 12 months after delivery.<br>If you do not use the product for more than 12 months, check solderability before using it.  |
| Storage conditions | <ul style="list-style-type: none"> <li>• The products shall be stored in a room not subject to rapid changes in temperature and humidity. The recommended temperature range is -10°C to +40°C. The recommended relative humidity range is 15% to 85%.<br/>Keeping the product in corrosive gases, such as sulfur, chlorine gas or acid, oxidizes the electrode, resulting in poor solderability or corrosion of the coil wire of the product.</li> <li>• Do not keep products in bulk packaging. Doing so may cause collision between the products or between the products and other products, resulting in core chipping or wire breakage.</li> <li>• Do not place the products directly on the floor; they should be placed on a palette so that they are not affected by humidity or dust.</li> <li>• Avoid keeping the products in a place exposed to direct sunlight, heat or vibration.</li> </ul> |
| Transportation     | Excessive vibration and impact reduces the reliability of the products. Exercise caution when handling the products.   |

### 11.10 Resin coating

The inductance value may change due to high cure-stress of resin to be used for coating/molding products.

A wire breakage issue may occur by mechanical stress caused by the resin, amount/cured shape of resin, or operating condition etc. Some resin contains some impurities or chloride possible to generate chlorine by hydrolysis under some operating condition may cause corrosion of wire of coil, leading to wire breakage.

So, please pay your careful attention when you select resin in case of coating/molding the products with the resin.

Prior to use the coating resin, please make sure no reliability issue is observed by evaluating products mounted on your board.

### 11.11 Handling of product

- Sharp material such as a pair of tweezers or other material such as bristles of cleaning brush, shall not be touched to the winding portion to prevent the breaking of wire.
- Mechanical shock should not be applied to the products mounted on the board to prevent the breaking of the core.

## 12. Note

- (1) Please make sure that your product has been evaluated in view of your specifications with our product being mounted to your product.
- (2) You are requested not to use our product deviating from the reference specifications.
- (3) The contents of this reference specification are subject to change without advance notice. Please approve our product specifications or transact the approval sheet for product specifications before ordering.

# Mouser Electronics

Authorized Distributor

Click to View Pricing, Inventory, Delivery & Lifecycle Information:

## Murata:

[LQH3NPZ1R0MGRL](#) [LQH3NPZ220MGRL](#) [LQH3NPZR47NGRL](#) [LQH3NPZ4R7MGRL](#) [LQH3NPZ6R8MGRL](#)  
[LQH3NPZ470MGRL](#) [LQH3NPZ100MGRL](#) [LQH3NPZ3R3MGRL](#) [LQH3NPZ330MGRL](#) [LQH3NPZ2R2MGRL](#)  
[LQH3NPZ1R5MGRL](#) [LQH3NPZ150MGRL](#)