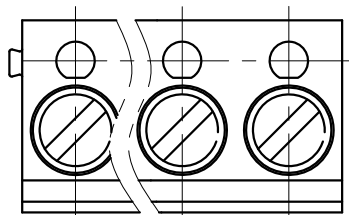


REVISION RECORD				
REV	ECN	DESCRIPTION	DRFT	DATE

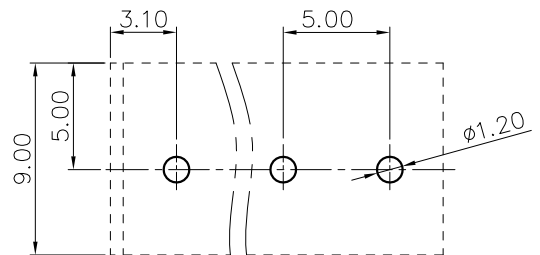
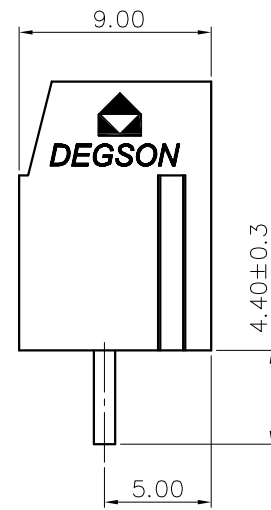
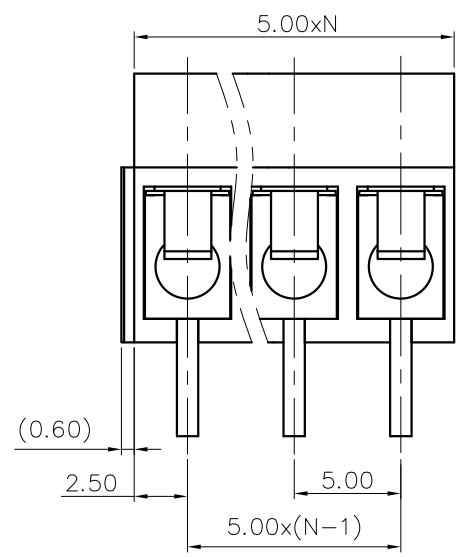
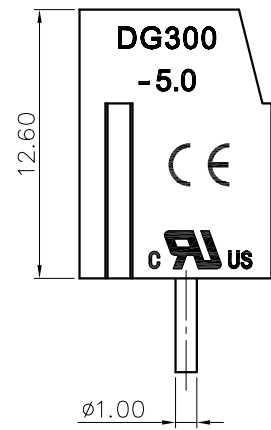


NOTES1:  
 UL Standard  
 1.Rated Voltage/Current : 300V / 10A  
 2.Torque Value : M3 , 2.6Lb.in  
 3.Wire Range : 22~14AWG  
 IEC Standard  
 1.Rated Voltage/Current : 250V / 24A  
 2.Torque Value : M3 , 0.29N.m  
 3.Wire Range : 2.5mm<sup>2</sup>

NOTES2:  
 1.Dimension shall be interpreted per ASME Y14.5-2009  
 2.Pitch : 5.0mm, Poles : N=02~24P  
 3.Stripping length : 5~6mm  
 4.Withstanding Voltage : AC2000V/1Min.  
 5.Operating temperature : -30°C~+120°C  
 6.Undimensioned Tolerances:

Pitch Range In mm		Nominal Dimension Range In mm				□	∇
TO	Over TO	Over TO	TO	Over TO	Over TO	0.1/10	<
6	10	10	30	60	100	150	<
±0.15	±0.20	±0.30	±0.30	±0.50	±0.70	±1.00	±2*

7.RoHS Compliance



PCB LAYOUT

DG300 - 5.0 - XXP - 1Y - 00A (H)  
 (Series No.) (Pitch) (Poles) (Single Pitch) (Color):1.(Grey)  
 2.(Blue)  
 3.(Black)  
 4.(Green)  
 5.(Orange)  
 6.(Red)  
 7.(Transparent)  
 8.(Yellow)  
 9.(White)

DETACHED LISTS	PART NO.:	/			宁波高松电子有限公司 NINGBO DEGSON ELECTRICAL CO., LTD		
	APPD:	/				NAME:	
	CHKD:	/			DG300-5.0-XXP-1Y-00A(H)		
	DRFT:	/			TITLE:	CUSTOMER DRAWING	REV
THIRD ANGLE PROJECTION		DRAWING NO.:		/		SHEET	1/1
		MM (INCH)		DO NOT SCALE DRAWING		SCALE	1:1