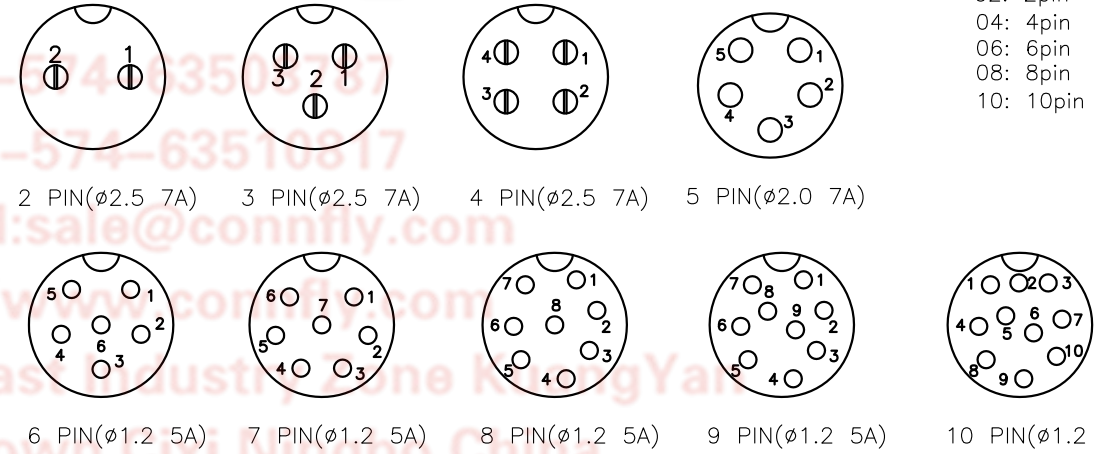
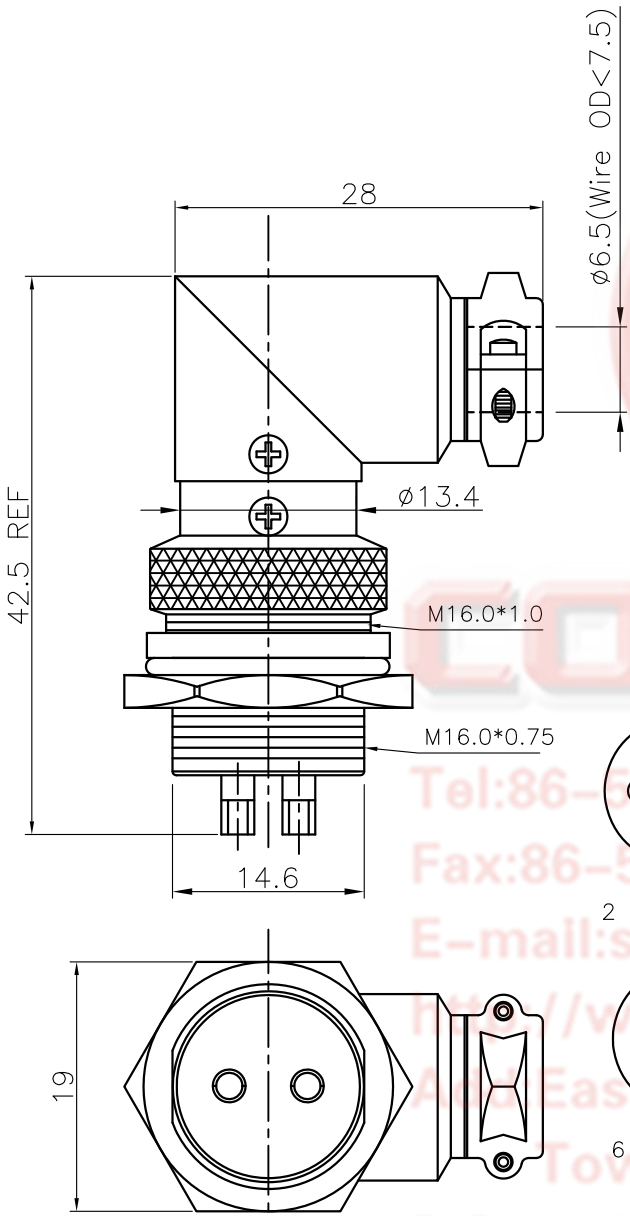


|      |   |
|------|---|
| Dept |   |
| Qty  |   |
| DC   | 1 |
| ED   | 1 |
| IE   | 1 |
| ISO  | 1 |
| PD   | 1 |
| R&D  | 1 |
| SD   | 1 |
| QA   | 1 |
| QC   | 1 |
| QE   | 1 |

| REV. | DESCRIPTION    | DRAWN         | CHECKED       | APPROVED      |
|------|----------------|---------------|---------------|---------------|
| A    | NEW RELEASE    | JLZ 05/20/17' | HZW 05/20/17' | LJC 05/20/17' |
| B    | DRAWING UPDATE | JLZ 11/10/18' |               |               |
|      |                |               |               |               |
|      |                |               |               |               |

The information provided herein is from CONNELY Electronic Co., Ltd. and is confidential. Any disclosure to a party other than the recipient is prohibited. The intellectual properties and its rights contained herein, including but not limited to, trademarks, patents, copyrights, trade secrets, and technical know-how, are owned exclusively by CONNELY or its affiliates. Unauthorized use of this information in any format or manner. CONNELY may enforce its intellectual property rights at its own discretion; failures or delays to exercise such rights does not constitute a waiver of such rights.



NOTES:

- SPECIFICATION
  - CURRENT RATING: 5A~7A.
  - DIELECTRIC WITH STANDING VOLTAGE: 1000V(AC)
  - CONTACT RESISTANCE: 20mΩ Max.
  - INSULATION RESISTANCE: 1000MΩ(DC)Min
- PRODUCT NUMBER CODE:

DS1110-20 - X X X X

- SHELL SURFACE FINISHED  
N: Nickel
- CONTACT PLATING  
6: Silver
- COLOR OF HOUSING:  
B: Black
- No. OF CONTACTS  
02: 2pin 03: 3pin  
04: 4pin 05: 5pin  
06: 6pin 07: 7pin  
08: 8pin 09: 9pin  
10: 10pin

| GENERAL TOLERANCE |       | ANGLE TOLERANCE |     |
|-------------------|-------|-----------------|-----|
| X.                | ±0.60 | X.              | ±5° |
| .X                | ±0.38 | .X              | ±3° |
| .XX               | ±0.25 | .XX             | ±2° |

|            |    |            |  |
|------------|----|------------|--|
| PROJECTION |    | TITLE      | Micro Jack Total Length=42.5mm Ref<br>(Pin Ø1.2~2.5) R/A Threaded Type |
| UNITS      | mm | SHEET SIZE | A4   |
| SHEET SIZE | A4 | SERIES     | DS1110-20 SERIES   |

|              |                   |       |        |
|--------------|-------------------|-------|--------|
| DRAWING TYPE | CUSTOMER          |       |        |
| SCALE        | 1:1               | SHEET | 1 OF 1 |
| DRAWING NO.  | C-DS1110-20-XXX-B |       |        |

晨翔电子有限公司  
**CONNFLY CONNELY ELECTRONIC CO. LTD**