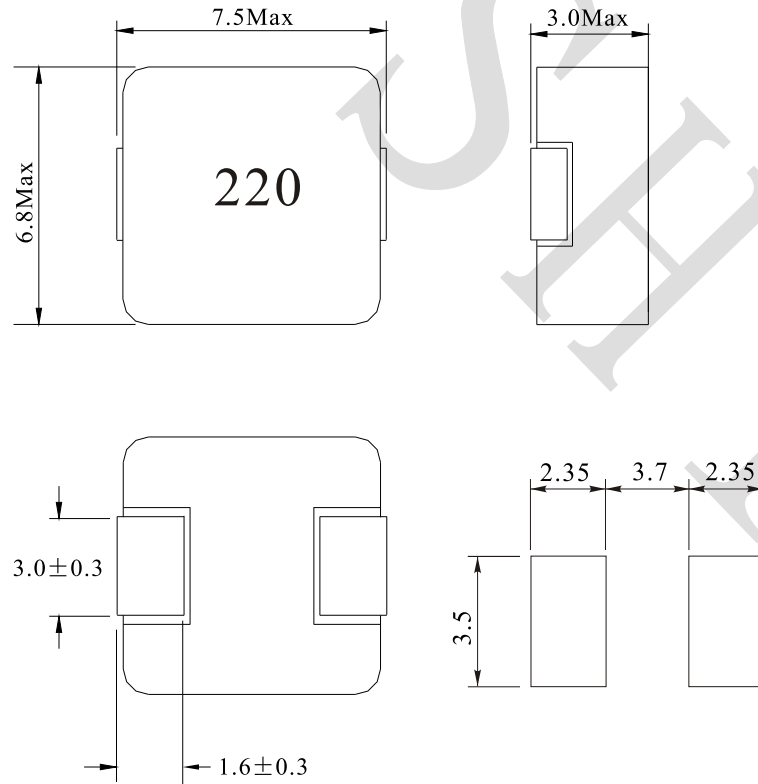
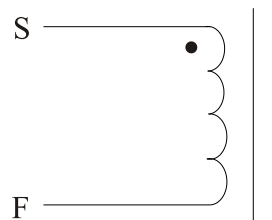


Rev.	Description	Date
A0	New release	2022.12.07

1. PHYSICAL CHARACTERISTICS (mm)



2. ELECTRONICAL SCHEMATIC



3. ELECTRONICAL SPECIFICATIONS

Inductance: 22uH ± 20% @ 100KHz, 1V

Rated current: 2.8A Max (temperature rise 40°C Max)

Saturation current: 3.5A Max (L drop 20% Max)

DCR: 135mΩ Max

Operating temperature: -40°C to +125°C

Storage temperature: -40°C to +85°C

Test Instrument:

L: HP4284A

RDC: HM2540

Note:

- Solderability: leads shall meet MIL-STD-202, Method 208D for solderability.
- Flammability: UL94V-0
- ASTM oxygen index: >28%

NAME:	Power inductors		
CUSTOMER P/N:	IHLP2525CZER220M11	DATE:	2022-12-07
SHINHOM P/N:	LPM0630-220M-2.5A	REV: A0	PAGE
DRAWN BY	CHECKED BY	APPROVE BY	



SHINHOM
SHAANXISHINHOM ENTERPRISE CO LTD

The Document property belong to SHINHOM & is not allowed to be duplicated without authorization