

Power Relay

TRIL

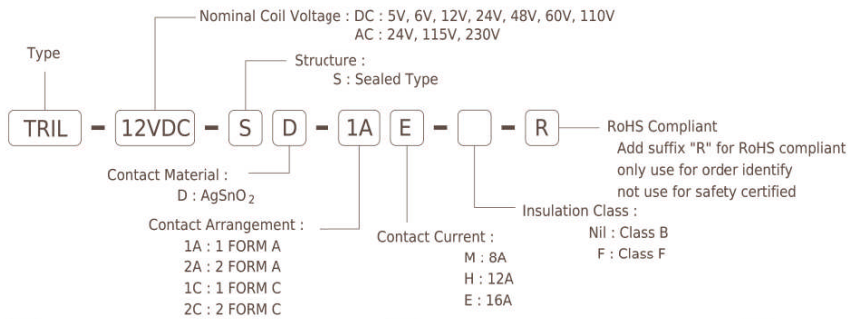
MAIN FEATURES

- 16A switching capabilities.
- Low height of 15.7mm.
- 1 & 2 pole configurations.
- Sealed & Unsealed types available.
- 5KV/10mm dielectric coil to contacts.
- UL & cUL recognized.

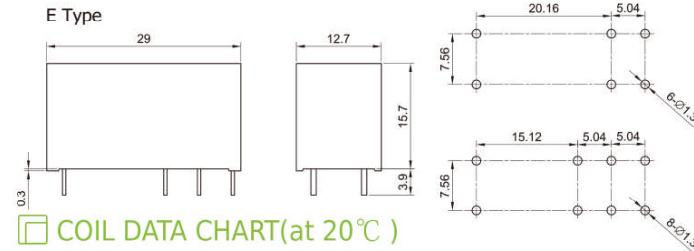
APPLICATIONS

- Microwave Oven; Facsimile; Refrigerator; Air Conditioner; Conditioner; Stereo Equipment; Copiers; TV Set; Monitor; Vending Machine; Temperature Controller, etc.

ORDERING INFORMATION



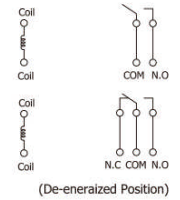
DIMENSION(unit:mm)



COIL DATA CHART(at 20°C)

Coil Sensitivity	Nominal Voltage (VDC)	Nominal Current (mA)	Coil Resistance (Ω) ± 10%	Power Consumption (W)	Pull-In Voltage (VDC)	Drop-Out Voltage (VDC)	Max-Allowable Voltage (VDC)
TRIL (DC TYPE)	5	80.6	62	abt. 0.4W	70% Max.	10% Min.	110% Max.
	6	66.7	90				
	12	33.3	360				
	24	16.7	1440				
	48	8.3	5760 ± 15%				
	60	8.0	7500 ± 15%				
TRIL (AC TYPE)	110	4.3	25200 ± 15%	abt. 0.75VA	75% Max.	15% Min.	110% Max.
	24	31.6	350				
	115	17.3	8100 ± 15%				
	230	34.5	32500 ± 15%				

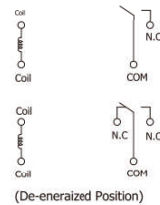
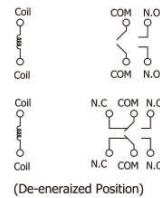
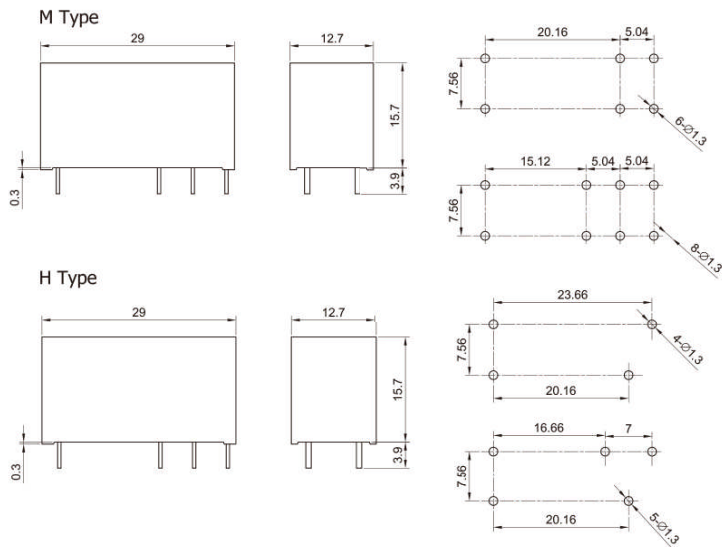
WIRING DIAGRAM



DIMENSION(unit:mm)

DRILLING(unit:mm)

WIRING DIAGRAM



CONTACT RATING

Item	SPST (1A), SPDT (1C) DPST (2A), DPDT (2C)		
	TRIL -E	TRIL -H	TRIL -M
Contact Capacity	16A 250VAC	12A 250VAC	8A 250VAC
Resistive Load (cosΦ=1)	16A	12A	8A
Rated Carrying Current	16A	12A	8A
Max. Switching Voltage	440VAC		
Contact Current(Res. Load)	10A	10A	5A
Max. Allowable Power Force	4000VA	3000VA	2000VA
Contact Material	Silver Alloy		

PERFORMANCE(at initial value)

Item	TRIL
Contact resistance	100mΩ max (measured at 1A 6VDC).
Operation time	15msec max.
Release time	8msec max.
Insulation resistance	1000 MΩ min. (at 500VDC)
Dielectric strength	Between coil & contacts: 5000VAC, 1min Between open contacts: 1000VAC, 1min Between contact sets: 2500VAC, 1min
Surge voltage (between coil & contacts)	10KV(1.2 x 50us)
Temperature rise(at nomi.volt.)	55K max. (DC TYPE)/ 65K max. (AC TYPE)
Shock resistance	Functional: 98 m/s ² Destructive: 980 m/s ²
Vibration resistance	10 to 150Hz 10g/5g
Operating ambient temperature	(DC TYPE) -40°C to +85°C. (AC TYPE) -40°C to +70°C.
Operating humidity	35% to 85% RH
Life expectancy	Mechanically: 1 x 10 ⁷ ops. Min. Electrically: 1 x 10 ⁵ ops. Min.(DC TYPE) 5 x 10 ⁵ ops. Min.(AC TYPE)
Weight	abt. 13.5g.
UL & cUL	E156406

Only for reference, won't notify if any change.

1. Tolerance ±0.5mm on all dimensions unless otherwise stated.
2. Tolerance ±0.1mm on PCB DRILLING dimension unless otherwise stated.