



Features

- 6.6mmx6.95mmx2.8mm Shielded
- Inductance Range: 0.10uH - 22uH
- Current Range: 3A - 40A
- Frequency range up to 1MHz

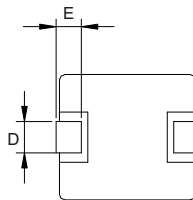
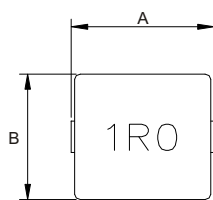
General Specifications

- Storage temp range: -55°C to +125°C
- Operating temp range: -55°C to +125°C
- Resistance to Soldering Heat +260°C for 5-10 Sec.

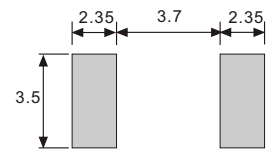
Application

- PDA, notebook, desktop, and server applications.
- Low profile, high current power supplies
- Battery powered devices
- DC/DC converters in distributed power systems

► Dimensions & Configurations (Unit:mm)



Recommended Layout



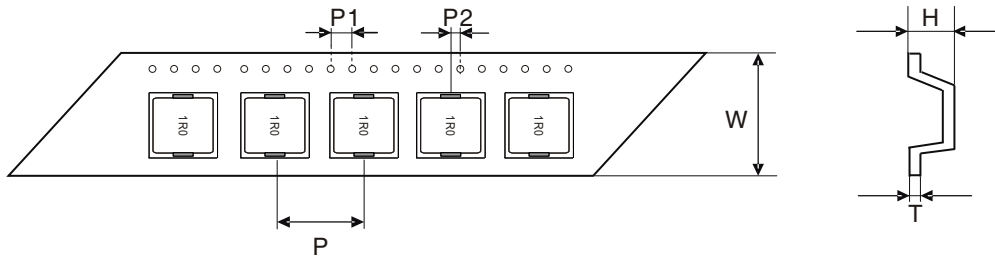
Type	A	B	C	D	E
HI0630	6.95±0.3	6.6±0.3	3.0Max	3.0±0.3	1.5±0.3

► Electrical Characteristics For HI0630 Series

Part Number	Inductance L0 [uH] (±20%) @0A	DCR [mΩ]		Heat Rating Current (Irms) [A] (Max.)	Saturation Current (Isat) [A] (Max.)
		(Typ.)	(Max.)		
HI0630-R10M	0.1	1.8	2.2	28.0	40.0
HI0630-R20M	0.2	2.4	3.0	24.0	34.0
HI0630-R33M	0.33	3.0	3.5	21.0	25.0
HI0630-R47M	0.47	3.4	4.1	18.0	20.0
HI0630-R68M	0.68	4.8	5.3	16.0	17.0
HI0630-R82M	0.8	5.4	6.0	14.0	16.0
HI0630-1R0M	1	8.4	9.2	12.0	15.0
HI0630-1R5M	1.5	10.6	12.1	10.0	14.0
HI0630-2R2M	2.2	13.5	15.0	8.0	10.0
HI0630-3R3M	3.3	18.0	22.0	6.5	9.5
HI0630-4R7M	4.7	28.0	38.0	5.5	6.5
HI0630-6R8M	6.8	43.9	50.0	4.5	6.0
HI0630-8R2M	8.2	54.0	60.0	4.0	6.0
HI0630-100M	10	62.0	68.0	3.5	5.5
HI0630-150M	15	90.0	95.0	3.0	4.0
HI0630-220M	22	125	135	2.5	3.0

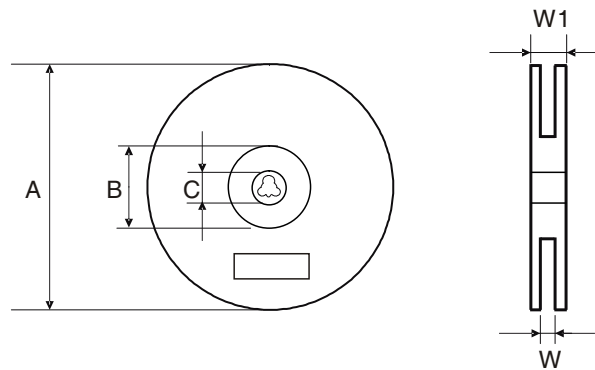
- Inductance tested at 100kHz, 1.0Vrms, 0.0Adc
- Heat Rating Current (Irms): Current that cause the temperature 40°C rise from 25°C
- Saturation Current (Isat): DC current at which the inductance drops 30% from its value without current

▶ Tape & Reel Specifications:



Unit: mm

Type	Dimension	W	P	P1	P2	H	T
	Tolerance	±0.3	±0.1	±0.1	±0.1	±0.15	±0.05
HI0630		16.0	12.0	4.00	2.00	3.20	0.35



Unit: mm

Type	Dimension	QTY Per Reel	A	B	C	W	W1
	Tolerance	Pcs	±2.0	min	±0.5	±0.5	±3.0
HI0630		1000	330	100	13.5	16.4	22.4