

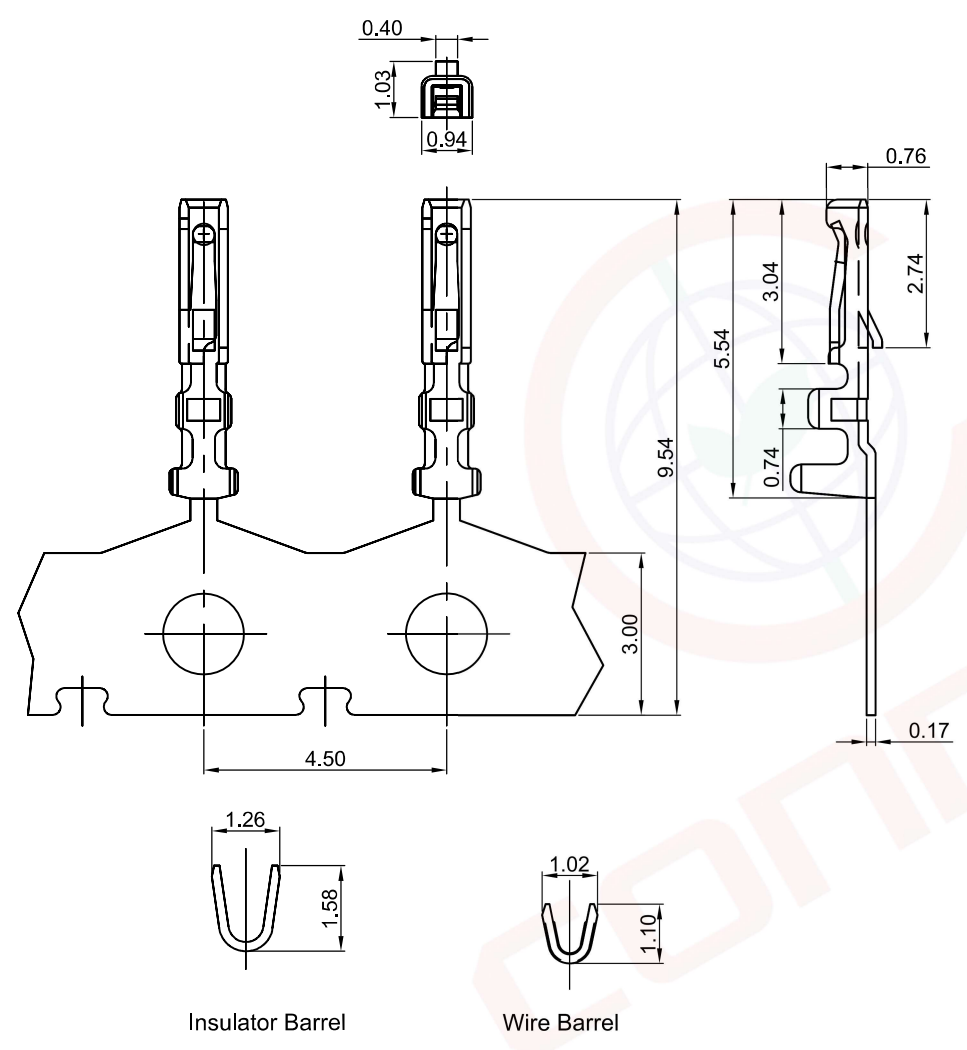
Dept	Qty
DC	1
ED	1
IE	1
ISO	1
PD	1
R&D	1
SD	1
QA	1
QC	1
QE	1

The information provided herein is from CONNELY Electronic Co., Ltd. and is confidential. Any disclosure to a party other than the recipient is prohibited. The intellectual properties and its rights contained herein, including but not limited to, trademarks, patents, copyrights, trade secrets, and technical know-how, are owned exclusively by CONNELY or its affiliates. Unauthorized use or modification is strictly prohibited without prior written consent from CONNELY. All intellectual properties provided herein are for reference purposes only and does not constitute authorization of its use in any format or manner. CONNELY may enforce its intellectual property rights at its own discretion; failures or delays to exercise such rights does not constitute a waiver of such rights.

REV.	DESCRIPTION	DRAWN	CHECKED	APPROVED
A	NEW RELEASE	JLZ 05/07/18'		
B	DRAWING UPDATE	JLZ 09/12/20'		

- Notes:
1. Material: Copper Alloy, Gold Plated.
  2. Current Rating: 1.0A AC/DC.
  3. Voltage Rating: 125V AC/DC.
  4. Temperature Range: -25~+85°C.
  5. Part Number Code:  
T - DS1147-06 - S C X 0 0

Plating Type  
8: Gold flash



GENERAL TOLERANCE		ANGLE TOLERANCE	
X.	±0.60	X.	±5°
.X	±0.38	.X	±3°
.XX	±0.25	.XX	±2°
DRAWING TYPE		CUSTOMER	
SCALE	1:1	SHEET	3 OF 3
DRAWING NO.	C-DS1147-06-XXXXXX-B		

PROJECTION		TITLE	
UNITS	mm	1.25mm Connector Terminal	
SHEET SIZE	A4	SERIES	DS1147-06 SERIES

晨翔电子有限公司  
CONNELY CONNELY ELECTRONIC CO. LTD