

REV.	DESCRIPTION	DRAWN	DATE
4	New frame	Willis	2012/08/03
5	ECR2000003	FROS	2020/04/16
5.1	ECR2000010	FROS	2020/07/24

SPECIFICATION:

1. ELECTRICAL
 - 1.1 Current Rating: 0.5A per pin
 - 1.2 Voltage Rating: 50V AC
 - 1.3 Contact Resistance: 55mΩ Max
 - 1.4 Insulation Resistance: 500MΩ Min
 - 1.5 Dielectric Withstanding Voltage: 300VAC
2. MECHANICAL
 - 2.1 Durability: 50 Cycles
 - 2.2 Total Mating/Unmating Force: 2.3Kgf max.
3. ENVIRONMENTAL
 - 3.1 Operating temperature range: -40°C ~ +85°C
 - 3.2 Storage temperature range: -40°C ~ +85°C
4. SOLDER ABILITY
 - 4.1 Recommended IR-Reflow Temperature: 260°C 10Sec

Date Code: Y WW D

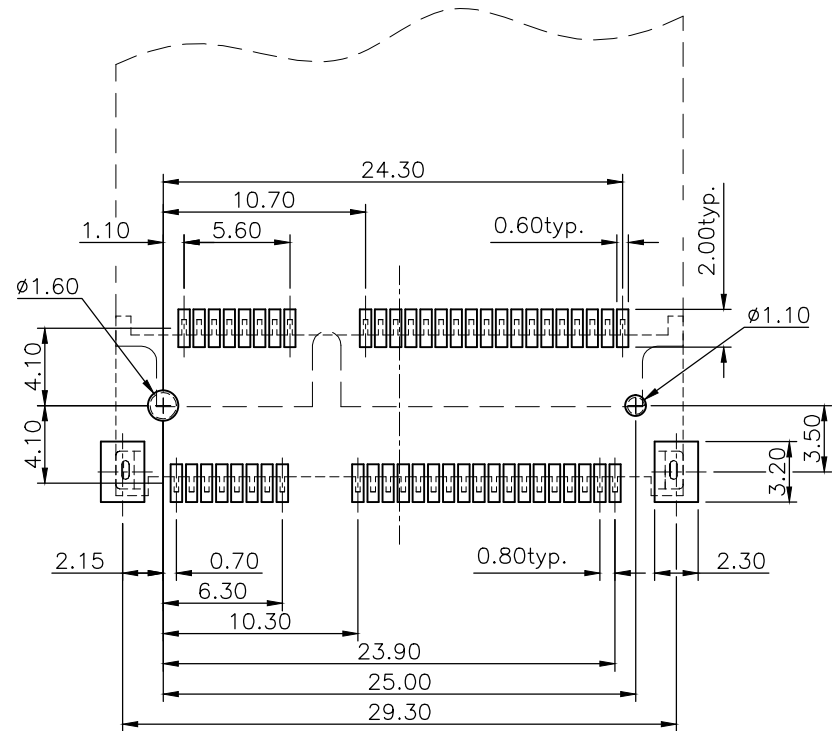
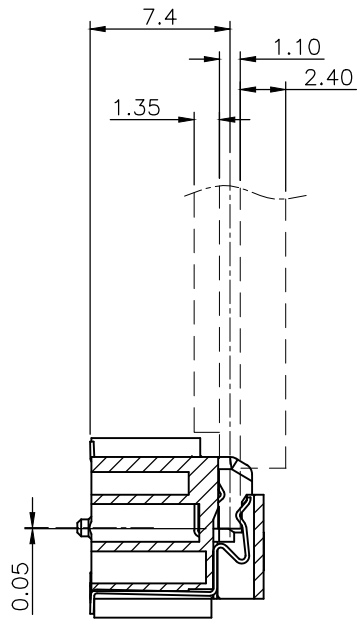
Year | | Day(1~7)
Week(1~52)

3	HOLDDOWN	Brass, Tin plated under nickel plating	
2	CONTACT	Phosphor Bronze, contact area: G/F solder area: Tin, under plating Nickel	
1	HOUSING	LCP UL94V-0, Black	
NO. PART NAME		DESCRIPTION	
UNLESS OTHERWISE SPECIFIED TOLERANCE			
UNIT:	DECIMAL	LINEAR	ANGLES
mm	X.	±0.50	±5°
	X.X	±0.25	±3°
	X.XX	±0.12	±1°
DRAWN		Willis	2009/11/11
CHECKED		Angel	2009/11/11
APPROVED		Ken	2009/11/11
SCALE		2.25/1	SHEET 1/2
SIZE		A4	FILE NAME
DRAWN NAME:		Mini PCI Express Socket H:9.2mm	
PRODUCT NO.		119A-92A00-R02	
FILE NAME		119A-92A00-R02_B_5.1	




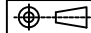
www.attend.com.tw

REV.	DESCRIPTION	DRAWN	DATE
	see sheet one		

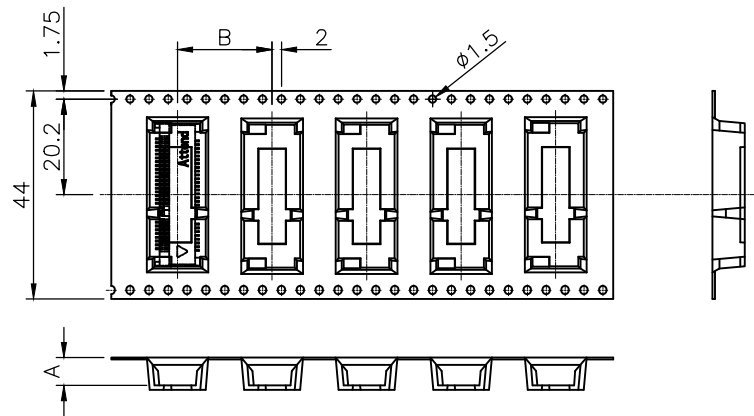
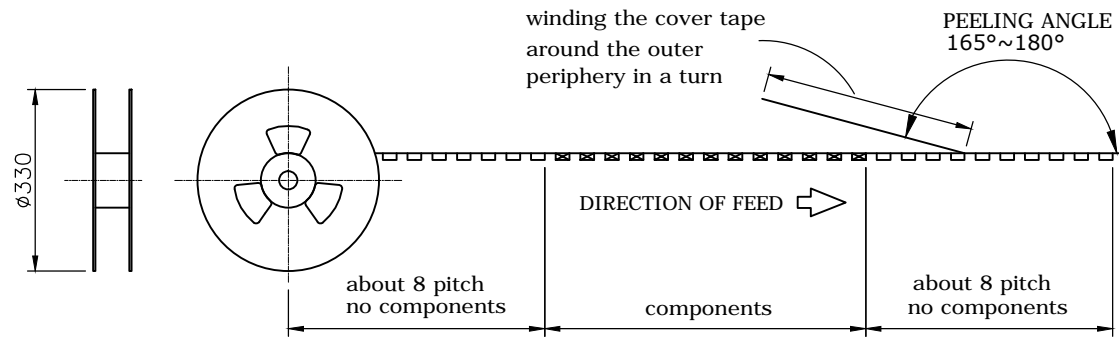


--- CARD
 --- PAD LAYOUT

RECOMMEND LAYOUT (TOP VIEW)
GENERAL TOLERANCE: ±0.05

UNLESS OTHERWISE SPECIFIED TOLERANCE				 www.attend.com.tw	
UNIT:	DECIMAL	LINEAR	ANGLES		
mm	X.	±0.50	±5°		
	X.X	±0.25	±3°		
	X.XX	±0.12	±1°		
DRAWN	Willis	2009/11/11	DRAWN NAME:		
CHECKED	Angel	2009/11/11	Mini PCI Express Socket H: 9.2mm		
APPROVED	Ken	2009/11/11	PRODUCT NO.	119A-92A00-R02	
	SCALE	SHEET	SIZE	FILE NAME	
	2.25/1	2/2	A4	119A-92A00-R02_B_5.1	

REV.	DESCRIPTION	DRAWN	DATE
3	Note 9.2H 300 PCS/REEL	Willis	2010/04/30
4	New frame	Willis	2012/08/03
5	ECR2000003	FROS	2020/04/16



Dimension table:

P/N	DIM. A	DIM. B
119A-40A00-R02	4.30	16.00
119A-56A00-R02	5.90	16.00
119A-80A00-R02	8.30	16.00
119A-92A00-R02	9.50	20.00

PACKAGING SPECIFICATION:

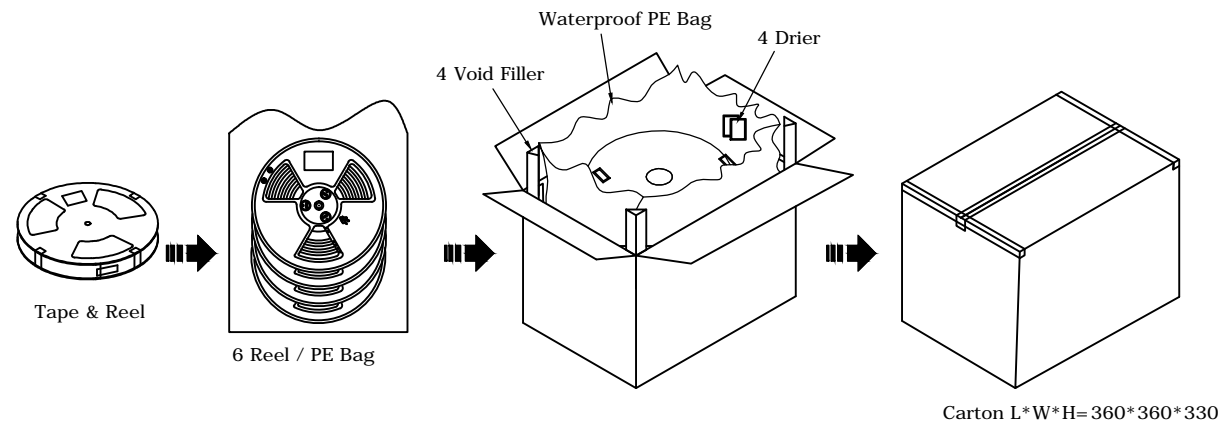
1. MATERIAL

- 1.1 Embossed Carrier Tape: PS Black
- 1.2 Top Cover Tape: PET 20-80g (Peel Speed 300mm/Minute)
- 1.3 Taping Reel: Plastic

2. PACKING

2.1 Quantity:

P/N	PCS/ REEL	PCS/ CARTON
119A-40A00-R02	700	4200
119A-56A00-R02	550	3300
119A-80A00-R02	400	2400
119A-92A00-R02	300	1800



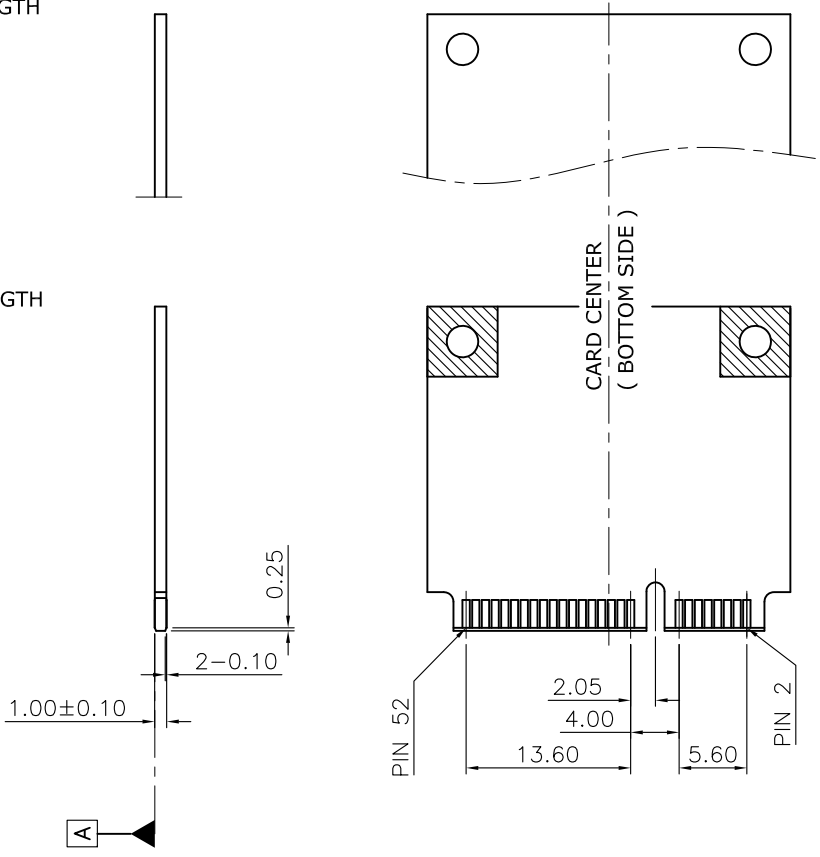
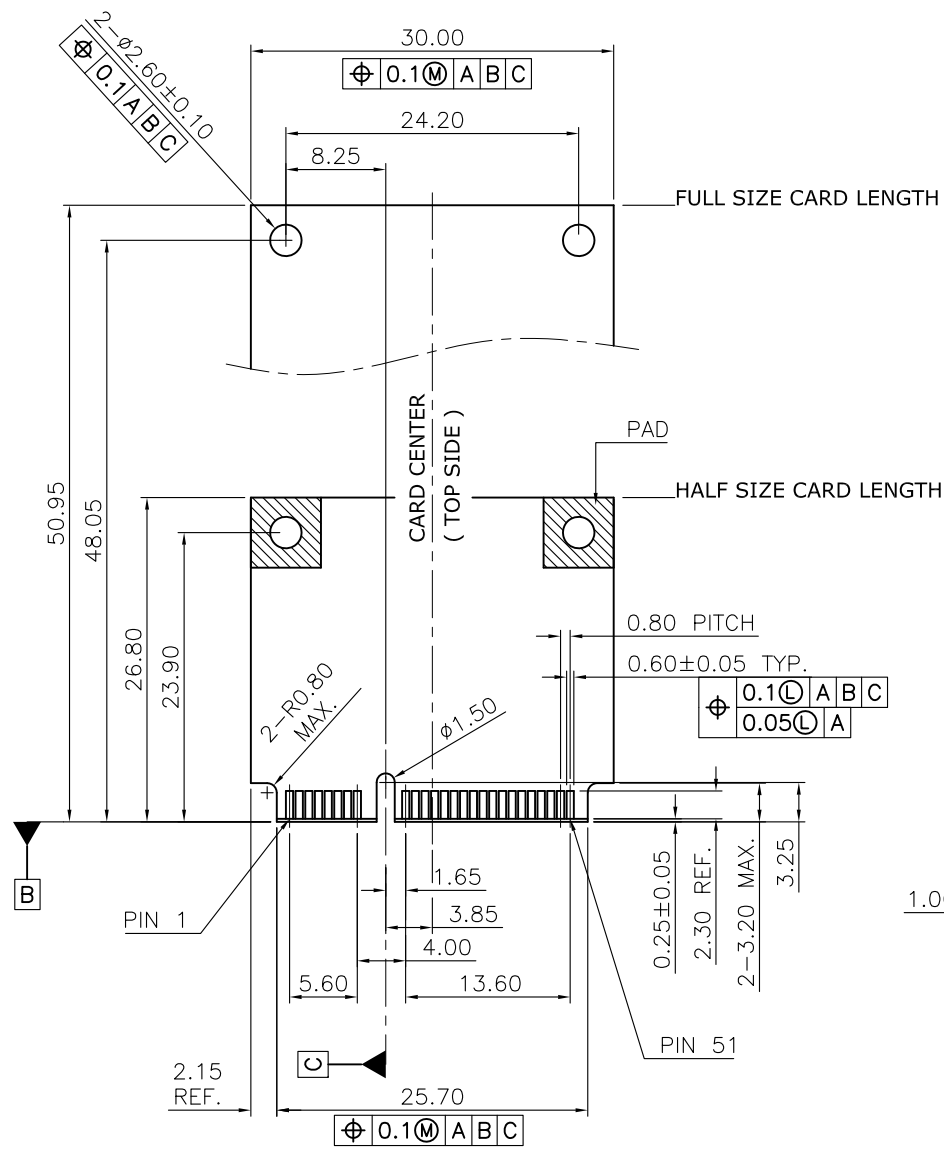
UNLESS OTHERWISE SPECIFIED TOLERANCE			
UNIT:	DECIMAL	LINEAR	ANGLES
mm	X.	±0.50	±5°
	X.X	±0.25	±3°
	X.XX	±0.12	±1°




www.attend.com.tw

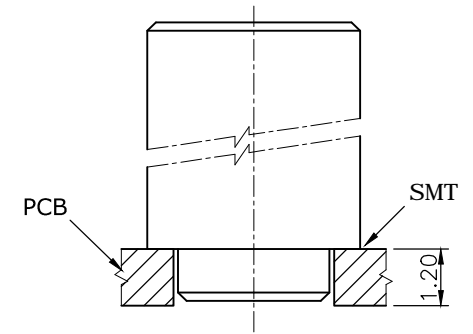
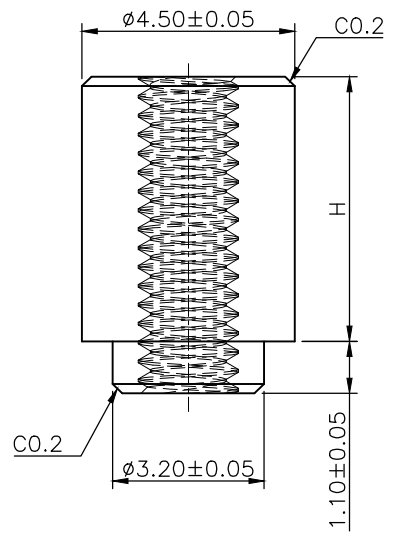
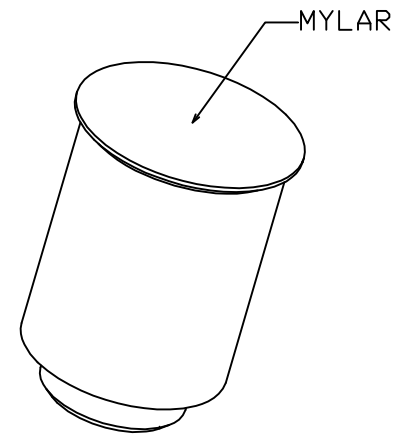
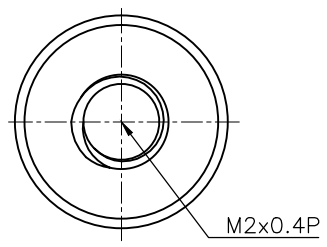
DRAWN	Willis	2009/11/11	DRAWN NAME:	Mini PCI Express Socket Packaging drawing
CHECKED	Angel	2009/11/11	PRODUCT NO.	
APPROVED	Ken	2009/11/11	FILE NAME	119A-XXA00-R02_D_5
SCALE	n/a	SHEET 1/1	SIZE	A4

REV.	DESCRIPTION	DRAWN	DATE
1	Initial Release	FROS	2014/12/03

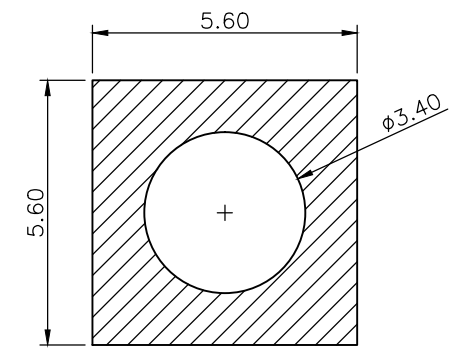


UNLESS OTHERWISE SPECIFIED TOLERANCE					
UNIT:	DECIMAL	LINEAR	ANGLES		
mm	X.	±0.50	±5°	WWW.ATTEND.COM.TW	
	X.X	±0.25	±3°		
	X.XX	±0.12	±1°		
DRAWN	Fros	2014/12/03	DRAWN NAME:		
CHECKED	Ron	2014/12/03	PHYSICAL DIMENSIONS OF		
APPROVED	Albert	2014/12/03	PCI EXPRESS MINI CARD		
SCALE	1.6/1	SHEET	1/1	SIZE	A4
FILE NAME	119A-CARD_1				

REV.	DESCRIPTION	DRAWN	DATE
2	Revised frame	Willis	2013/01/25
3	Revised frame & p/n table	FROS	2017/06/14
4	ECR2000003	TIM	2020/04/24





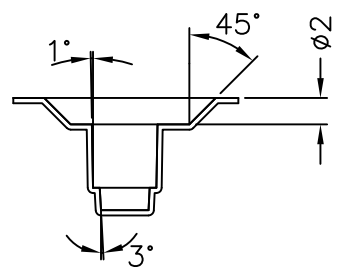
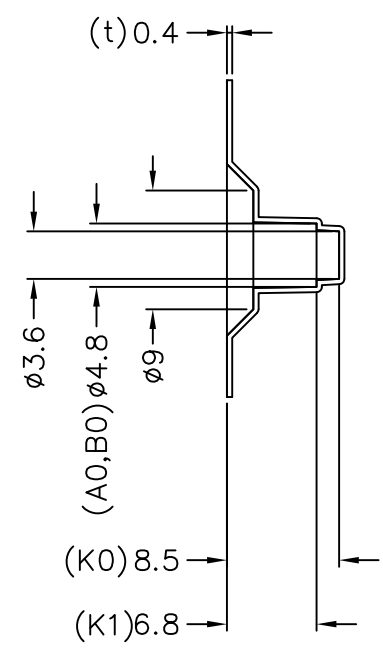
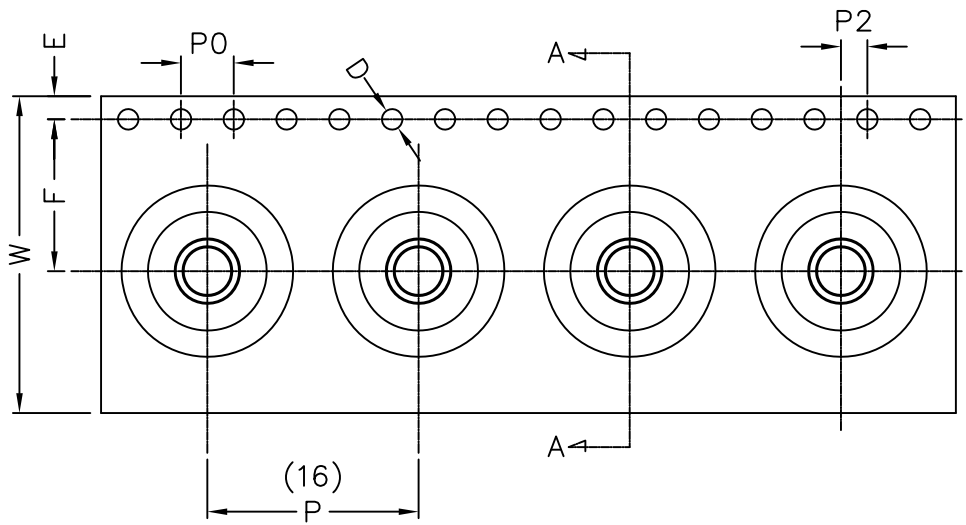
NOTE:
 1. MATERIAL: Copper Alloy
 2. Plating: Sn.



PCB Recommend Layout Pattern

NUT P/N	"H"±0.1	Mini PCI E P/N
119A-NUT-40-R02	1.6	119A-40A00-R02
119A-NUT-40-R02	1.6	119A-40A00-R04
119A-NUT-56-R02	3.2	119A-56A00-R02
119A-NUT-56-R02	3.2	119A-56A00-R04
119A-NUT-80-R02	5.6	119A-80A00-R02
119A-NUT-92-R02	6.8	119A-92A00-R02

UNLESS OTHERWISE SPECIFIED TOLERANCE				 WWW.ATTEND.COM.TW
UNIT:	DECIMAL	LINEAR	ANGLES	
mm	X.	±0.50	±5°	
	X.X	±0.25	±3°	
	X.XX	±0.12	±1°	
DRAWN	Willis	2012/12/10	DRAWN NAME: Mini PCI Express Stand Off	
CHECKED	Angel	2012/12/10	PRODUCT NO. see p/n table	
APPROVED	Ken	2012/12/10	FILE NAME	119A-NUT-XX-R02_B_4
 SCALE 6.25		SHEET 1/1	SIZE A4	



1. Material: Black Anti-static Polystyrene ,T=0.4mm
 2. Reel : 300 pcs.

ITEM	W	A ₀	B ₀	K ₀	K ₁	P	F	E	D	D ₁	P ₀	P ₂
DIM	24.0 ^{+0.30} _{-0.30}	4.80 ^{+0.20} _{-0.10}	4.80 ^{+0.20} _{-0.10}	8.50 ^{+0.20} _{-0.10}	6.80 ^{+0.20} _{-0.10}	16.0 ^{+0.10} _{-0.10}	11.50 ^{+0.10} _{-0.10}	1.75 ^{+0.10} _{-0.10}	1.50 ^{+0.10} _{-0.00}	0.00 ^{+0.25} _{-0.00}	4.00 ^{+0.10} _{-0.10}	2.00 ^{+0.10} _{-0.10}

UNLESS OTHERWISE SPECIFIED TOLERANCE		
ANGLES	ANG.	±5°
LINEAR	0.	±0.3
	0.0	±0.25
	0.00	±0.20
SCALE	AS SHOWN	UNIT: mm
DRAWN	Willis	2014/06/16
CHECKED	Angel	2014/06/16
APPROVED	Ken	2014/06/16



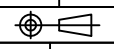
www.attend.com.tw

DRAWN NAME:
Mini PCI Express Stand Off

PRODUCT NO. 119A-NUT-92-R02

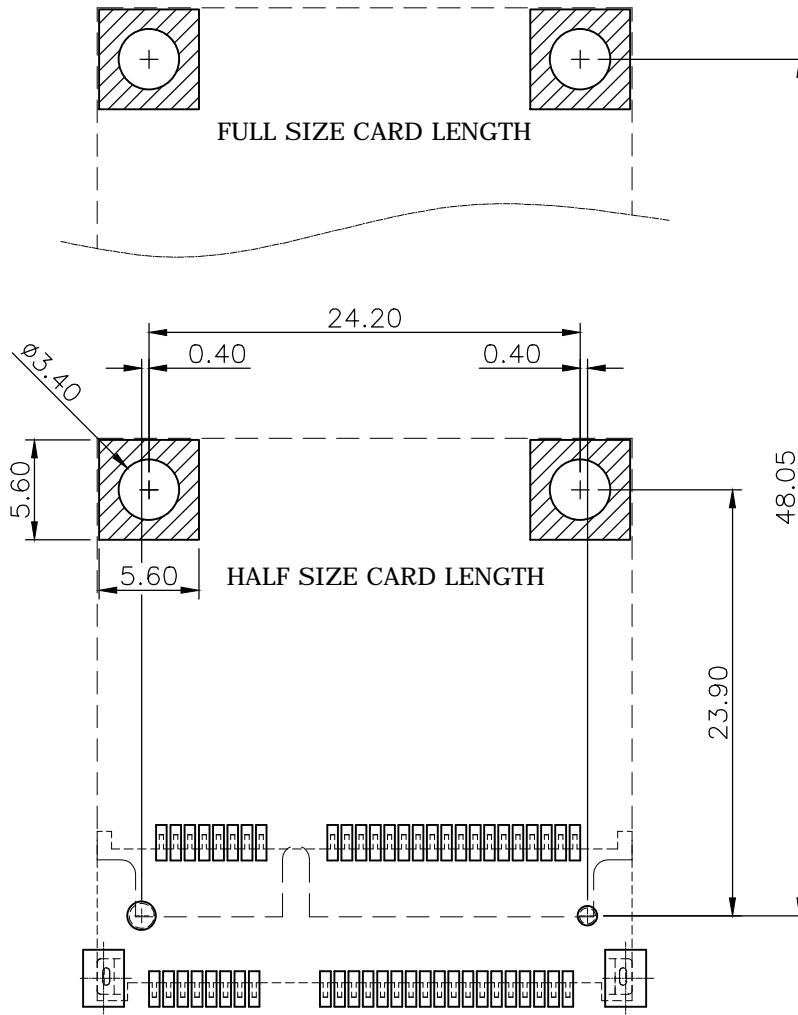
FILE NAME 119A-NUT-92-R02_D_3

REV.	DESCRIPTION	DATE	REV.	DESCRIPTION	DATE
3	Revise:				
2	Revise:				
1	Revise:				


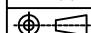


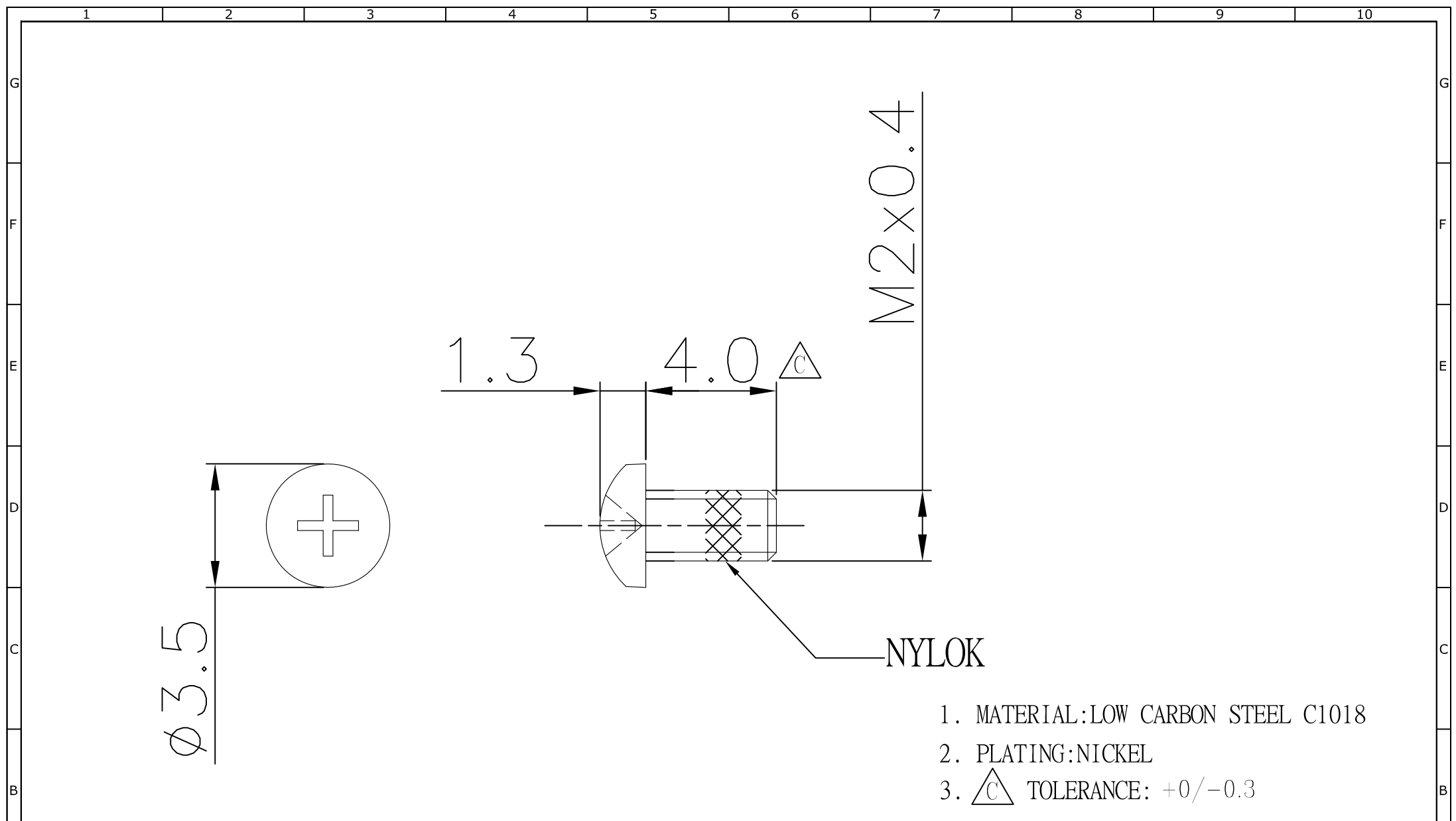
SIZE A4 REV. 1.0

REV.	DESCRIPTION	DRAWN	DATE
1	Initial Release	FROS	2020/04/16



RECOMMEND LAYOUT (TOP VIEW)
GENERAL TOLERANCE: ± 0.05

UNLESS OTHERWISE SPECIFIED TOLERANCE					
UNIT:	DECIMAL	LINEAR	ANGLES		
mm	X.	± 0.50	$\pm 5^\circ$	WWW.ATTEND.COM.TW	
	X.X	± 0.25	$\pm 3^\circ$		
	X.XX	± 0.12	$\pm 1^\circ$		
DRAWN	Fros	2020/04/16	DRAWN NAME: Mini PCI Express Stand Off Layout		
CHECKED	Tim	2020/04/16	PRODUCT NO.		
APPROVED	Ken	2020/04/16	FILE NAME 119A-NUT-XX-R02_LAYOUT		
		SCALE 6.25	SHEET 1/1	SIZE A4	



1. MATERIAL: LOW CARBON STEEL C1018
2. PLATING: NICKEL
3. $\triangle C$ TOLERANCE: +0/-0.3

REV.	DESCRIPTION	DATE	REV.	DESCRIPTION	DATE		
1							
2							
3							
4							
5							
6							
7							
8							
9							
10							

NOTES: UNLESS OTHERWISE SPECIFIED TOLERANCE	ANGLES	ANG.	±5°	 www.attend.com.tw
	LINEAR	0.0	±0.3	
		0.00	±0.25	
	SCALE	AS SHOWN	UNIT: mm	
DRAWN	Willis	2013/01/25	DRAWN NAME: Mini PCI Express M2 Nylok Screw	
CHECKED	Angel	2013/01/25	PRODUCT NO. 119A-Screw-R02	
APPROVED	Ken	2013/01/25	FILE NAME 119A-Screw-R02_B_2	