

EM-FECS(A) - Evaluation Module for FECS-series Sensors

Description:

The EM-FECS(A) evaluation module is designed to perform the testing and evaluation of the three-electrode electrochemical gas sensors in the FECS-series. Since the output voltage (V_{OUT}) corresponding to the sensitivity characteristics can be obtained, the characteristics of the FECS sensor can be easily evaluated.

Operation:

The FECS-series sensor is placed into the sensor socket on the EM-FECS(A). If target gas is present, the output current generated from the FECS-series sensor ⁽¹⁾ is converted into output voltage. A linear relationship exists between output voltage and target gas concentration. By measuring in advance the output voltage in a known target gas concentration, that gas concentration can be calculated from the measured output voltage values. ⁽²⁾

¹ For more detailed specifications of FECS-series sensors, refer to *Product Information* for each model.

² The main function of this module is to simply convert sensor output current into voltage output without temperature compensation.

Features:

- * Converts sensor output current to voltage output
- * Compatible with all FECS-series sensors
- * Anti-polarization circuit during power OFF period

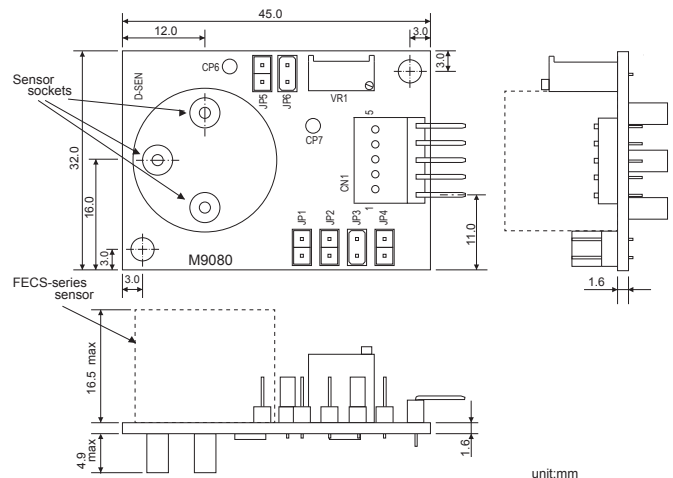


* Sensor not included

Specifications:

Item	Specification
Model No.	EM-FECS(A)
Product name	Evaluation module for FECS-series sensors
Target gases	CO (FECS40-1000) NO (FECS41-250) NO ₂ (FECS42-20) SO ₂ (FECS43-20) NH ₃ (FECS44-100/200/1000/5000) Cl ₂ (FECS45-10) H ₂ S (FECS50-100)
Input voltage range (V _{IN})	5.0 ± 0.2V DC
Current consumption	<2.0mA
Output voltage (V _{OUT})	- 1.00±0.05V DC in zero air [FECS40-1000, FECS41-250, FECS43-20, FECS50-100, FECS44-100/200/1000/5000] - 4.00±0.05V DC in zero air [FECS42-20, FECS45-10]
Operating conditions	0~60°C, <95%RH (no condensation) For more details of operating conditions, refer to Product Information for each model.

Dimensions:

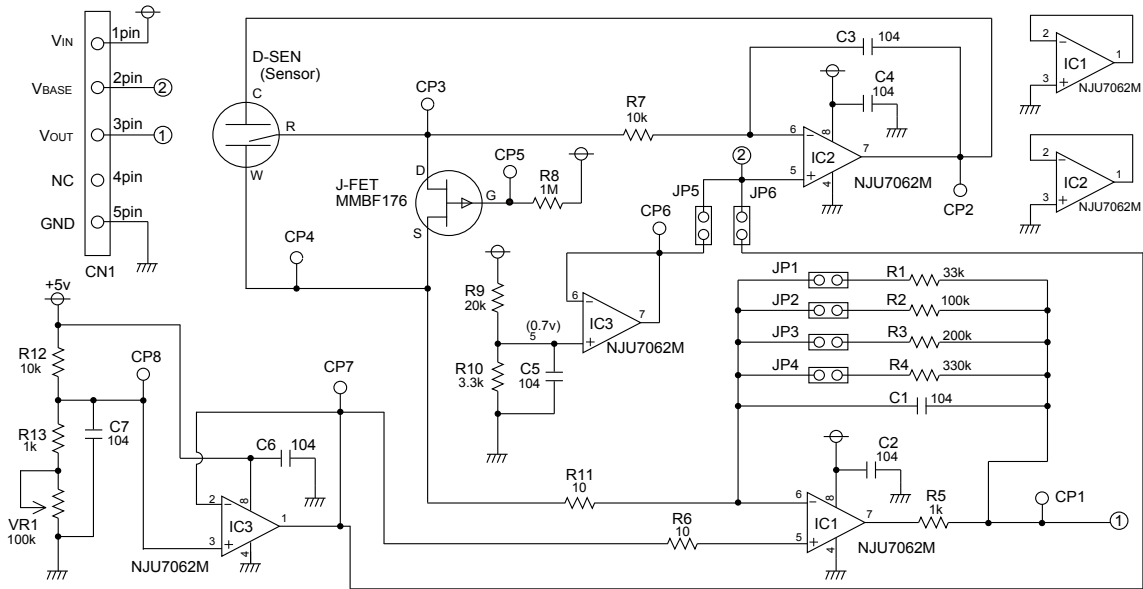


*FECS-series sensor is to be put in the sensor socket as shown in the above photo.

*Suggested female connectors mating to the 5-pin connector (JST MB5P-90S):

JST XHP-5P or JST 05JQ-BT

Schematic Diagram:



Settings by sensor model (Jumper pin connections and Volume adjustment)^{(*)3}

Sensor Model No.	Amplifying factor for I-V conversion		Bias voltage		Base voltage	Volume adjustment
	Jumper	Factor	Jumper	Value		
FECS40, FECS50	JP1	33,000 x	JP6	-	1.00V	No need
FECS44-5000	JP2	100,000 x	JP6	-	1.00V	No need
FECS43, FECS44-100, FECS-1000	JP3	200,000 x	JP6	-	1.00V	No need
FECS44-200	JP4	330,000 x	JP6	-	1.00V	No need
FECS41	JP1	33,000 x	JP5	+300mV	1.00V	No need
FECS42	JP3	200,000 x	JP6	-	4.00V	Necessary ^{(*)4}
FECS45	JP4	330,000 x	JP6	-	4.00V	Necessary ^{(*)4}

^{(*)3} Jumper pins are connected to JP3 and JP6 respectively at time of factory setting.

^{(*)4} Base voltage adjustment method: Please adjust base voltage to 4.0V by VR1 while measuring the voltage value between VBASE (Pin 2) and GND (Pin 5).

Pin connections:

Pin No.	Name	Description	
1	V _{IN}	Input voltage	5.0±0.2V DC
2	V _{BASE}	Base voltage	1.00V±0.05V at time of factory setting
3	V _{OUT}	Output voltage	
4	-	No connection	
5	GND	Ground	

Sensor output current I_s (μA) is calculated from output voltage V_{OUT} (V) between Pin #3 (V_{OUT}) and Pin #5 (GND) using the following formula:

$$I_s = ((V_{OUT}[\text{Gas}] - V_{OUT}[\text{Air}]) / \text{I-V conversion amp. factor}) \times 10^6$$

where: $V_{OUT}[\text{Air}]$: sensor output voltage in zero air
 $V_{OUT}[\text{Gas}]$: sensor output voltage in target gas

Example: When output voltage of FECS 50-100 (typical sensitivity of 0.7 μA for H₂S) are as follows:

$$V_{OUT}[\text{Air}] = 1.00\text{V}$$

$$V_{OUT}[\text{Gas}] = 1.23\text{V}$$

$$I_s = ((1.23 - 1.00) / 33,000) \times 10^6 \approx 7\mu\text{A}$$

* The calculated I_s value corresponds to the sensor output in around 10ppm H₂S.

FIGARO USA, INC.

121 S. Wilke Rd. Suite 300
 Arlington Heights, IL 60005
 Phone: (847)-832-1701
 Fax: (847)-832-1705
 email: figarousa@figarosensor.com

Caution:

This module is designed for evaluation of the FECS-series sensors only. Please do not use this module for any other purpose.