

Features

- Voltage Offset: $\pm 100 \mu\text{V}$ (Max) at $V_{\text{CM}} = 2.75 \text{ V}$ for TPA191A2, A3, A4, A5, A6, A7
- Wide Common-Mode Voltage: -0.3 V to $+36 \text{ V}$
- Supply Voltage: 2.7 V to 36 V
- Accuracy and Zero-Drift Performance:
 - $\pm 1\%$ Gain Error (Max over Temperature)
 - $0.2\text{-}\mu\text{V}/^\circ\text{C}$ Offset Drift (Typ)
 - $10\text{-ppm}/^\circ\text{C}$ Gain Drift (Max)
- Gain Options for Voltage Output
 - TPA191A1: 20 V/V
 - TPA191A2: 50 V/V
 - TPA191A3: 75 V/V
 - TPA191A4: 100 V/V
 - TPA191A5: 200 V/V
 - TPA191A6: 500 V/V
 - TPA191A7: 1000 V/V
- Low Supply Current: $80 \mu\text{A}$ (Typ)
- Rail-to-Rail Output
- Package: SOT363 (SC70-6)
- Industrial Operating Range: -40°C to 125°C

Applications

- Current Sensing (High-Side/Low-Side)
- Battery Charger
- Power Management
- Cell Phone Charger
- Electrical Cigarette
- Wireless Charger
- Telecom Equipment

Description

The TPA191 is a series of zero-drift, bi-directional current sense amplifiers that can sense voltage drops across shunts at common-mode voltages from -0.3 V to 36 V , independent of the supply voltage. Five fixed gains are available: 20 V/V , 50 V/V , 75 V/V , 100 V/V , and 200 V/V . The integration-matched gain resistor network minimizes gain errors and reduces the temperature drift. The low offset of the zero-drift architecture enables current sensing with the maximum drops across the shunt as low as 10 mV full-scale.

The TPA191 series operates from a single 2.7-V to 36-V power supply, while drawing $80\text{-}\mu\text{A}$ supply current (typical). All versions are specified from -40°C to 125°C , and offered in the SOT363 (SC70-6) package.

Typical Application Circuit

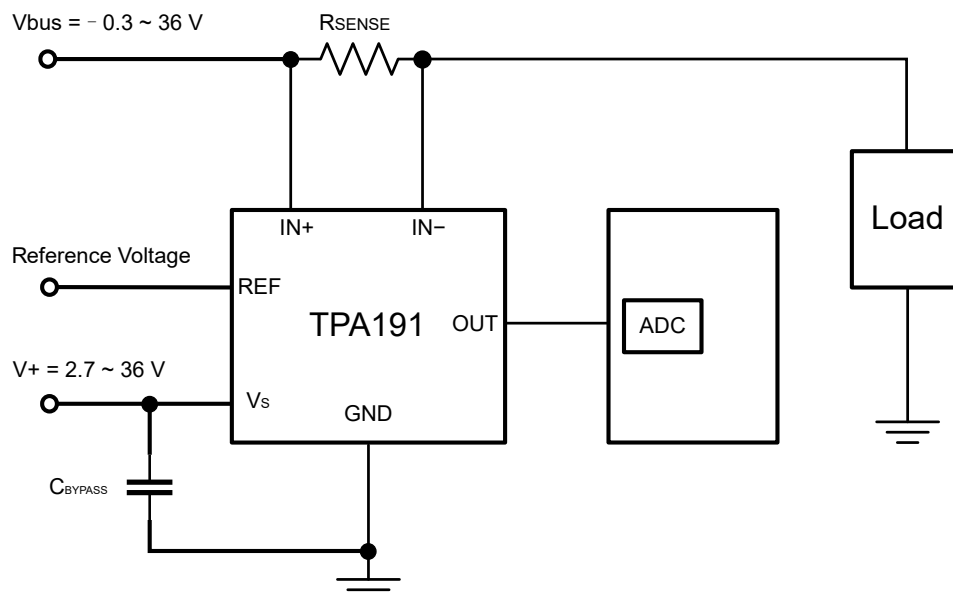


Table of Contents

| | |
|---|-----------|
| Features | 1 |
| Applications | 1 |
| Description | 1 |
| Typical Application Circuit | 1 |
| Revision History | 3 |
| Pin Configuration and Functions | 4 |
| Specifications | 5 |
| Absolute Maximum Ratings ⁽¹⁾ | 5 |
| ESD, Electrostatic Discharge Protection..... | 5 |
| Recommended Operating Conditions..... | 5 |
| Thermal Information..... | 5 |
| Electrical Characteristics..... | 6 |
| Typical Performance Characteristics..... | 8 |
| Detailed Description | 11 |
| Overview..... | 11 |
| Functional Block Diagram..... | 11 |
| Feature Description..... | 11 |
| Application and Implementation | 12 |
| Application Information | 12 |
| Typical Application..... | 12 |
| Layout | 14 |
| Layout Guideline..... | 14 |
| Layout Example..... | 14 |
| Tape and Reel Information | 15 |
| Package Outline Dimensions | 16 |
| SOT363 (SC70-6)..... | 16 |
| Order Information | 17 |
| IMPORTANT NOTICE AND DISCLAIMER | 18 |

Revision History

| Date | Revision | Notes |
|------------|-----------|--|
| 2023-02-10 | Rev.Pre.0 | Preliminary version. |
| 2023-03-15 | Rev.A.0 | Initial release. |
| 2023-03-31 | Rev.A.1 | Modified the Marking Information: from "9Ax" to "1Ax", in which "x" represents 1, 2, 3, 4, 5. |
| 2023-04-19 | Rev.A.2 | Added new parts: TPA191A6 (G = 500), TPA191A7 (G = 1000). Updated HBM: from 2 kV to 3 kV, based on new test result. |
| 2024-04-27 | Rev.A.3 | Updated Electrical Characteristics: <ul style="list-style-type: none"> • V_{OS} at $V_{IN+} = 12\text{ V}$, $V_{SENSE} = 0\text{ mV}$: <ul style="list-style-type: none"> – Changed the minimum value: from -180 to -250. – Changed the maximum value: from 180 to 250. – Added the typical value. • V_{OS} at $V_{IN+} = 2.75\text{ V}$, $V_{SENSE} = 0\text{ mV}$: <ul style="list-style-type: none"> – Changed the minimum value: from -50 to -100. – Changed the maximum value: from 50 to 100. – Added the typical value. |
| 2024-12-18 | Rev.A.4 | Updated Electrical Characteristics: <ul style="list-style-type: none"> • Added a new orderable part number TPA191A3, and updated specification of TPA191A3 accordingly. • Breakdown of V_{OS}, CMRR, and PSRR specifications based on different gain options. • Modified maximum value of V_{OH} from 0.11-V to 0.12-V. Updated the Features. Corrected handwriting errors. Updated the Tape and Reel Information. |
| 2025-08-25 | Rev.A.5 | Corrected a handwriting error. Added the requirement for Reference Input Range. The actual product remains unchanged. |
| 2026-01-30 | Rev.A.6 | The following updates are all about the new datasheet formats or typos, and the actual product remains unchanged. <ul style="list-style-type: none"> • Added the Power Supply Rejection Ratio vs. Frequency plot and Common-Mode Rejection Ration vs. Frequency plot . |

Pin Configuration and Functions

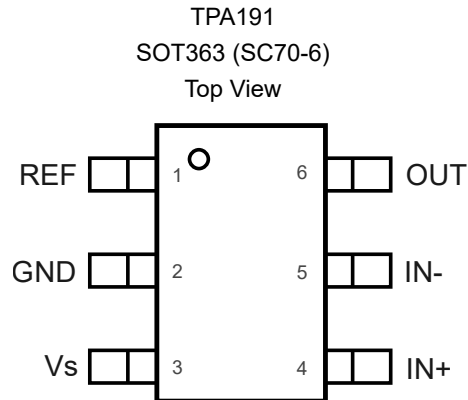


Table 1. Pin Functions: TPA191

| Pin No. | Pin Name | I/O | Description |
|---------|----------------|-----|-----------------------------|
| 1 | REF | I | Reference voltage |
| 2 | GND | | Ground |
| 3 | V _s | I | Power supply, 2.7 V to 36 V |
| 4 | IN+ | I | Non-inverting input |
| 5 | IN- | I | Inverting input |
| 6 | OUT | O | Output |

Zero-Drift, Bi-Directional Current Sense Amplifier
Specifications
Absolute Maximum Ratings ⁽¹⁾

| Symbol | Parameter | Min | Max | Unit |
|------------------------|--|-----------|----------------------|------|
| | Supply Voltage | | 42 | V |
| Analog Input, IN+, IN- | Differential (IN+) - (IN-) | -42 | 42 | V |
| | Common Mode | GND - 0.3 | 42 | V |
| | REF Input | GND - 0.3 | V _S + 0.3 | V |
| | Output | GND - 0.3 | V _S + 0.3 | V |
| | Input Current into All Pins ⁽²⁾ | -10 | 10 | mA |
| T _A | Operating Temperature Range | -40 | 125 | °C |
| T _J | Maximum Junction Temperature | | 150 | °C |
| T _{STG} | Storage Temperature Range | -65 | 150 | °C |

(1) Stresses beyond those listed under Absolute Maximum Ratings may cause permanent damage to the device. Exposure to any Absolute Maximum Rating condition for extended periods may affect device reliability and lifetime.

(2) Input voltage at any pin can exceed the voltage shown if the current at that pin is limited to 10 mA.

ESD, Electrostatic Discharge Protection

| Parameter | | Condition | Minimum Level | Unit |
|-----------|--------------------------|---------------------------------------|---------------|------|
| HBM | Human Body Model ESD | ANSI/ESDA/JEDEC JS-001 ⁽¹⁾ | 3 | kV |
| CDM | Charged Device Model ESD | ANSI/ESDA/JEDEC JS-002 ⁽²⁾ | 1.5 | kV |

(1) JEDEC document JEP155 states that 500-V HBM allows safe manufacturing with a standard ESD control process.

(2) JEDEC document JEP157 states that 250-V CDM allows safe manufacturing with a standard ESD control process.

Recommended Operating Conditions

| Parameter | | Min | Typ | Max | Unit |
|-----------------|--------------------------------|------|-----|-----|------|
| V _S | Operating Supply Voltage | 2.7 | | 36 | V |
| V _{CM} | Common-Mode Input Voltage | -0.3 | | 36 | V |
| T _A | Operating Free-Air Temperature | -40 | | 125 | °C |

Thermal Information

| Package Type | θ _{JA} | θ _{JC} | Unit |
|-----------------|-----------------|-----------------|------|
| SOT363 (SC70-6) | 227 | 80 | °C/W |

Zero-Drift, Bi-Directional Current Sense Amplifier
Electrical Characteristics

All test conditions: $T_A = 27^\circ\text{C}$, $V_S = 5\text{ V to }5.5\text{ V}$, $V_{IN+} = 12\text{ V}$, $V_{SENSE} = V_{IN+} - V_{IN-}$, $V_{REF} = V_S / 2$, unless otherwise noted.

| Parameter | | Conditions | Min | Typ | Max | Unit |
|-----------------------------------|---|--|------|------------|-----|------------------------------|
| Supply Voltage and Current | | | | | | |
| V_S | Operating Voltage Range | $T_A = -40^\circ\text{C to }125^\circ\text{C}$ | 2.7 | | 36 | V |
| I_Q | Quiescent Current | $V_{SENSE} = 0\text{ mV}$, $T_A = -40^\circ\text{C to }125^\circ\text{C}$ | | 80 | 115 | μA |
| Input | | | | | | |
| V_{OS} | Input Offset Voltage | $V_{SENSE} = 0\text{ mV}$, TPA191A1 | -440 | ± 200 | 440 | μV |
| | | $V_{SENSE} = 0\text{ mV}$, TPA191A2 | -255 | ± 100 | 255 | |
| | | $V_{SENSE} = 0\text{ mV}$, TPA191A3 | -150 | ± 60 | 150 | |
| | | $V_{SENSE} = 0\text{ mV}$, TPA191A4, TPA191A5, TPA191A6, TPA191A7 | -100 | ± 40 | 100 | |
| | | $V_{IN+} = 2.75\text{ V}$, $V_{SENSE} = 0\text{ mV}$, TPA191A1 | -160 | ± 50 | 160 | |
| | | $V_{IN+} = 2.75\text{ V}$, $V_{SENSE} = 0\text{ mV}$, TPA191A2, TPA191A3, TPA191A4, TPA191A5, TPA191A6, TPA191A7 | -100 | ± 50 | 100 | |
| $V_{OS\ TC}$ | Input Offset Voltage Drift ⁽¹⁾ | $T_A = -40^\circ\text{C to }125^\circ\text{C}$ | | 0.2 | | $\mu\text{V}/^\circ\text{C}$ |
| V_{CM} | Common-Mode Input Range | $T_A = -40^\circ\text{C to }125^\circ\text{C}$ | -0.3 | | 36 | V |
| CMRR | Common Mode Rejection Ratio | $V_{IN+} = 0\text{ V to }26\text{ V}$, $V_{SENSE} = 0\text{ mV}$, $T_A = -40^\circ\text{C to }125^\circ\text{C}$, TPA191A1 | 90 | 120 | | dB |
| | | $V_{IN+} = 0\text{ V to }26\text{ V}$, $V_{SENSE} = 0\text{ mV}$, $T_A = -40^\circ\text{C to }125^\circ\text{C}$, TPA191A2 | 93 | 120 | | dB |
| | | $V_{IN+} = 0\text{ V to }26\text{ V}$, $V_{SENSE} = 0\text{ mV}$, $T_A = -40^\circ\text{C to }125^\circ\text{C}$, TPA191A3 | 95 | 120 | | dB |
| | | $V_{IN+} = 0\text{ V to }26\text{ V}$, $V_{SENSE} = 0\text{ mV}$, $T_A = -40^\circ\text{C to }125^\circ\text{C}$, TPA191A4, TPA191A5, TPA191A6, TPA191A7 | 98 | 120 | | dB |
| I_B | Input Bias Current | $V_{SENSE} = 0\text{ mV}$ | | 22 | | μA |
| I_{OS} | Input Offset Current | $V_{SENSE} = 0\text{ mV}$ | | ± 0.05 | | μA |
| PSRR | Power Supply Rejection Ratio | $V_S = 2.7\text{ V to }18\text{ V}$, $V_{IN+} = 18\text{ V}$, $V_{SENSE} = 0\text{ mV}$, $T_A = -40^\circ\text{C to }125^\circ\text{C}$, TPA191A1 | 91 | 128 | | dB |
| | | $V_S = 2.7\text{ V to }18\text{ V}$, $V_{IN+} = 18\text{ V}$, $V_{SENSE} = 0\text{ mV}$, $T_A = -40^\circ\text{C to }125^\circ\text{C}$, TPA191A2, TPA191A3, TPA191A4, TPA191A5, TPA191A6, TPA191A7 | 100 | 128 | | dB |
| Output | | | | | | |
| G | Gain | TPA191A1 | | 20 | | V/V |

Zero-Drift, Bi-Directional Current Sense Amplifier

| Parameter | | Conditions | Min | Typ | Max | Unit |
|---------------------------|--|--|---------------------------|------------|----------------|---------------------------|
| | | TPA191A2 | | 50 | | |
| | | TPA191A3 | | 75 | | |
| | | TPA191A4 | | 100 | | |
| | | TPA191A5 | | 200 | | |
| | | TPA191A6 | | 500 | | |
| | | TPA191A7 | | 1000 | | |
| GE | Gain Error | $V_{SENSE} = -5 \text{ mV to } 5 \text{ mV}$, $T_A = -40^\circ\text{C to } 125^\circ\text{C}$ | | ± 0.05 | ± 1 | % |
| GE TC | Gain Error vs Temperature ⁽¹⁾ | $V_{SENSE} = -5 \text{ mV to } 5 \text{ mV}$, $T_A = -40^\circ\text{C to } 125^\circ\text{C}$ | | 3 | 10 | ppm/ °C |
| NE | Nonlinearity Error | $V_{SENSE} = -5 \text{ mV to } 5 \text{ mV}$ | | ± 0.05 | | % |
| C _{LOAD} | Maximum Capacitive Load | No sustained oscillation | | 1 | | nF |
| V _{OH} | Output Swing from V _S | $R_L = 10 \text{ k}\Omega$ to REF, $T_A = -40^\circ\text{C to } 125^\circ\text{C}$ | | 0.05 | 0.12 | V |
| V _{OL} | Output Swing from GND | $R_L = 10 \text{ k}\Omega$ to REF, $T_A = -40^\circ\text{C to } 125^\circ\text{C}$ | | 0.01 | 0.05 | V |
| Frequency Response | | | | | | |
| BW | Bandwidth | TPA191A1 | C _{LOAD} = 10 pF | | 150 | kHz |
| | | TPA191A2 | | | 80 | |
| | | TPA191A3 | | | 50 | |
| | | TPA191A4 | | | 30 | |
| | | TPA191A5 | | | 15 | |
| | | TPA191A6 | | | 6 | |
| | | TPA191A7 | | | 1 | |
| SR | Slew Rate | $T_A = -40^\circ\text{C to } 125^\circ\text{C}$, $V_{CM} = V_S / 2$ | 1 | | 3 | V/ μs |
| Noise, RTI | | | | | | |
| e _n | Input Voltage Noise Density ⁽¹⁾ | | | 35 | | nV/ $\sqrt{\text{Hz}}$ |
| Reference Input | | | | | | |
| | Reference Input Range | $V_S = 2.7 \text{ V to } 5.5 \text{ V}$ | 0 | | V _S | V |
| | | $V_S = 5.5 \text{ V to } 36 \text{ V}$ | 0 | | 5.5 | V |

(1) Provided by bench test and design simulation.

Typical Performance Characteristics

All test conditions: $T_A = 25^\circ\text{C}$, $V_S = 5\text{ V}$, $V_{IN+} = 12\text{ V}$, $V_{REF} = V_S / 2$, unless otherwise noted.

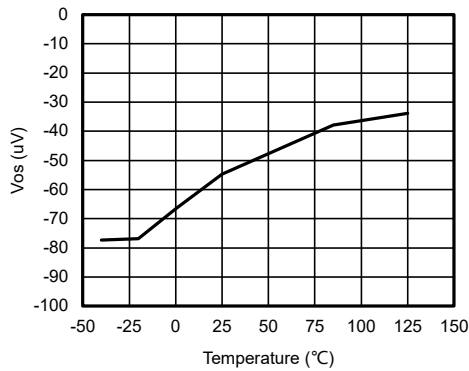


Figure 1. Offset Voltage vs. Temperature

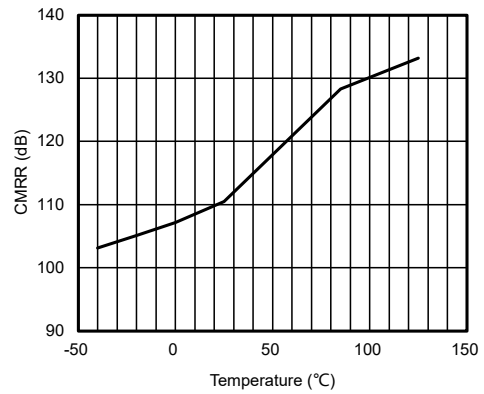


Figure 2. Common-Mode Rejection Ratio vs. Temperature

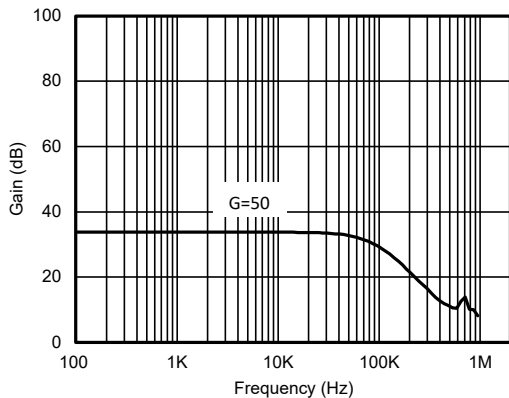


Figure 3. Gain vs. Frequency

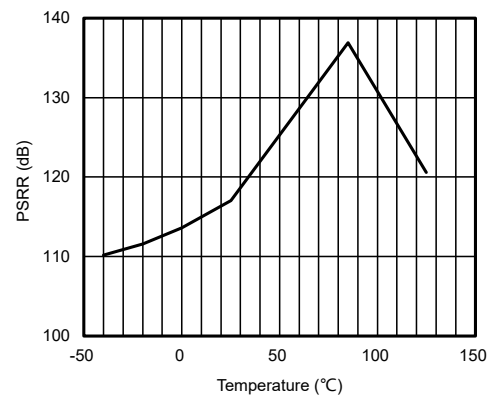


Figure 4. Power-Supply Rejection Ratio vs. Temperature

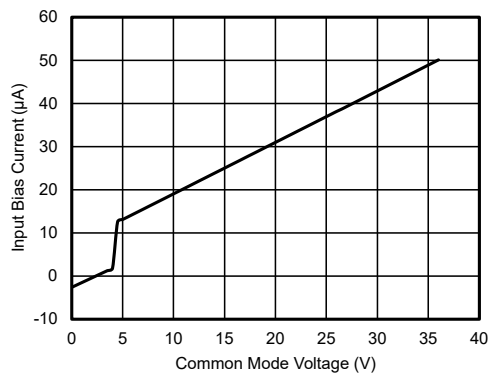


Figure 5. Input Bias Current vs. Common-Mode Voltage

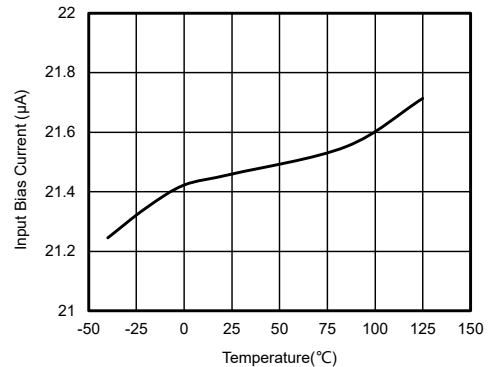


Figure 6. Input Bias Current vs. Temperature

Zero-Drift, Bi-Directional Current Sense Amplifier

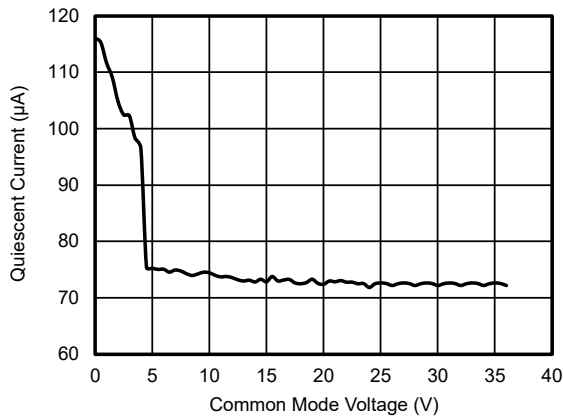


Figure 7. Quiescent Current vs. Common-Mode Voltage

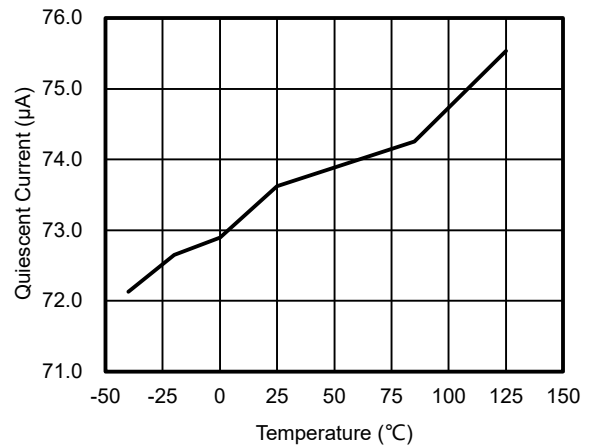


Figure 8. Quiescent Current vs. Temperature

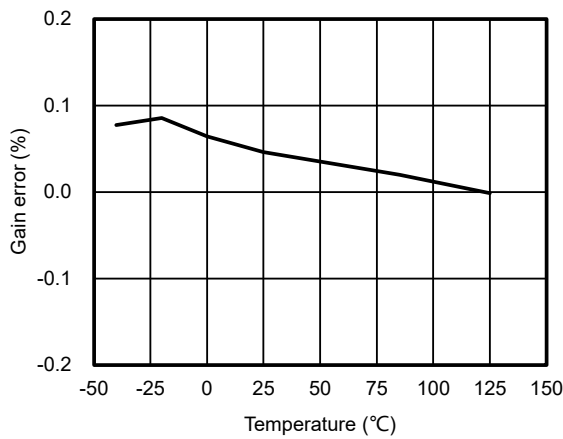


Figure 9. Gain Error vs. Temperature

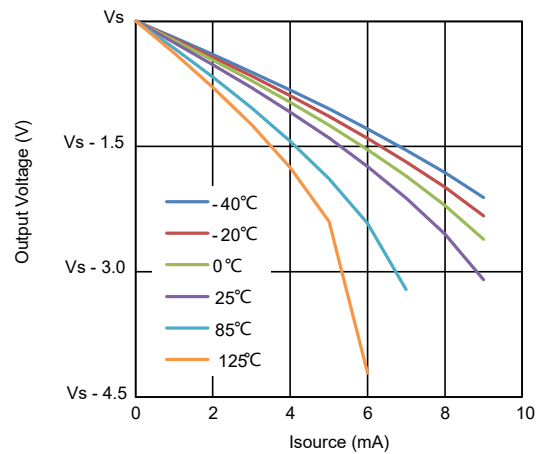


Figure 10. Output Voltage Swing vs. I_{source}

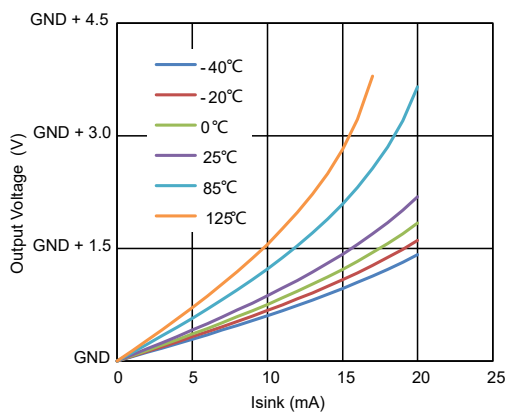


Figure 11. Output Voltage Swing vs. I_{sink}

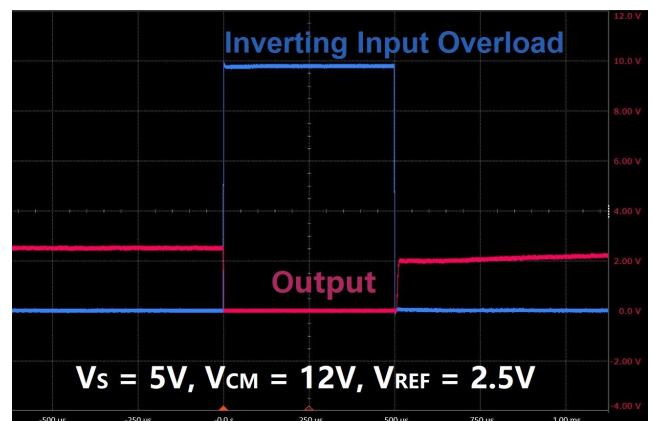


Figure 12. Inverting Differential Input Overload

Zero-Drift, Bi-Directional Current Sense Amplifier

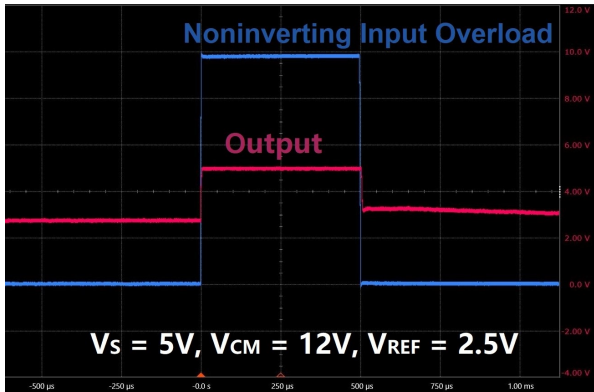


Figure 13. Non-Inverting Differential Input Overload

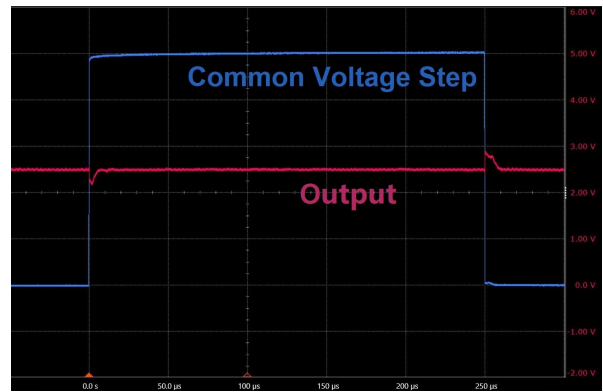


Figure 14. Common-Mode Voltage Transient Response

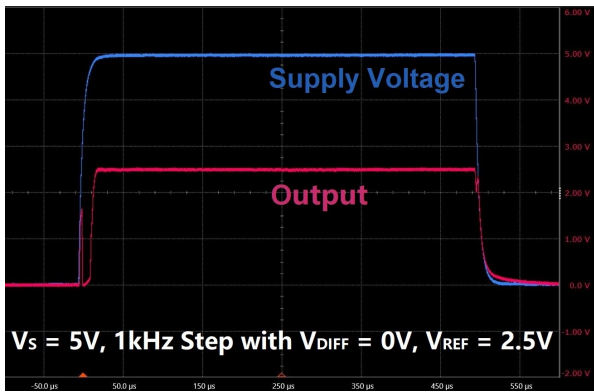


Figure 15. Start-up Response

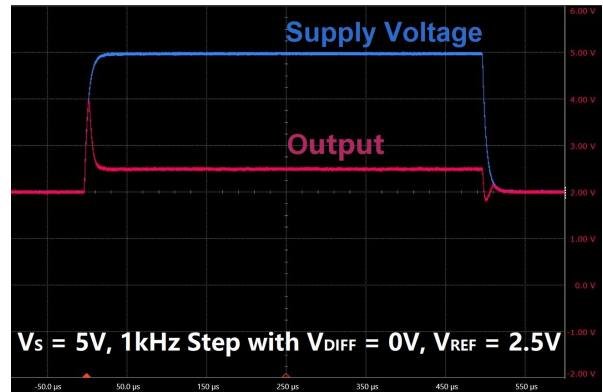


Figure 16. Brownout Recovery

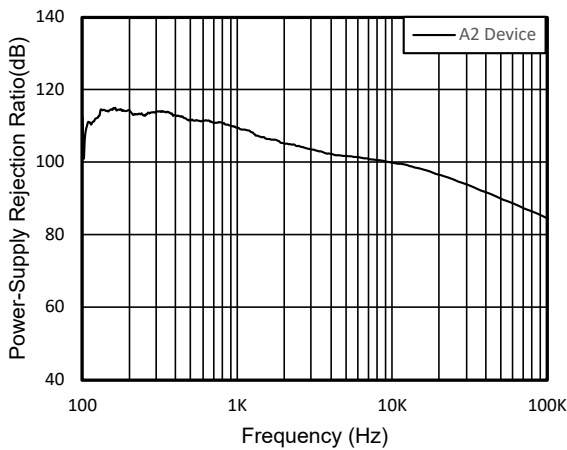


Figure 17. Power Supply Rejection Ratio vs. Frequency

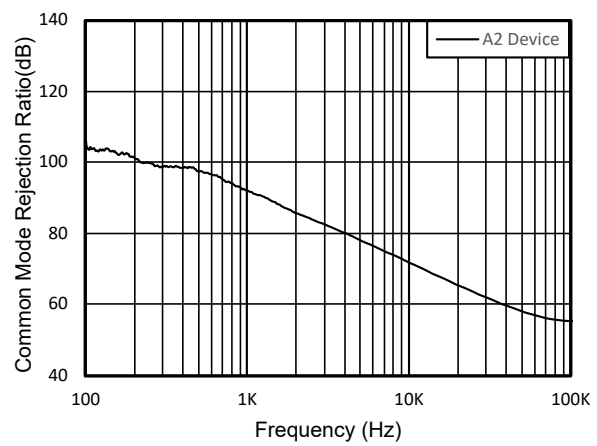


Figure 18. Common-Mode Rejection Ratio vs. Frequency

Detailed Description

Overview

The TPA191 series features a high-accuracy unidirectional, current-sense amplifier in various gain options, and a -0.3-V to 36-V input common-mode range that is independent of supply voltage (V_S). The low input offset voltage, tight gain error, and low-temperature drift characteristics allow the use of small-sense resistors for current measurements to improve power-supply conversion efficiency and accuracy of measurements. This feature allows monitoring power-supply load current even when the rail is shorted to ground. High-side current monitoring does not interfere with the ground path of the load measured, making the IC particularly useful in a wide range of high-reliability systems. Because of its extended common-mode range below ground, the TPA191 can also be used as a low-side current sensing element.

Functional Block Diagram

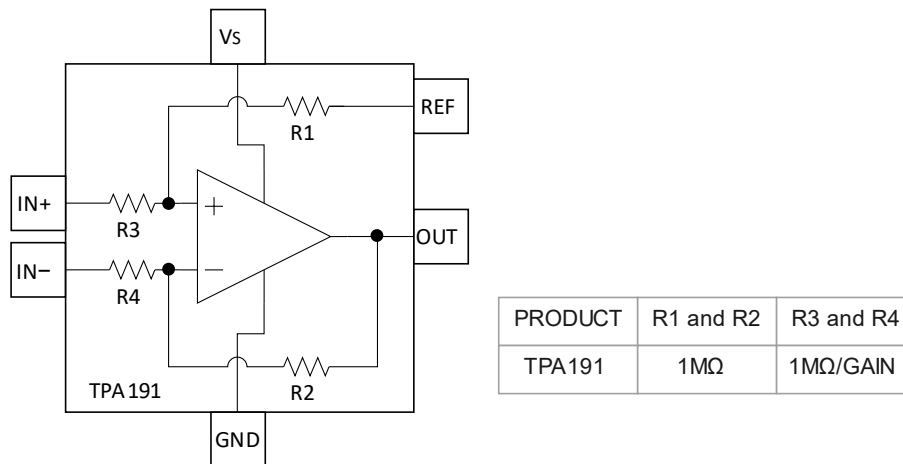


Figure 19. Functional Block Diagram

Feature Description

Wide-Input Common-Mode Voltage Range

Because of the internal topology, the TPA191 supports -0.3-V to 36-V input common-mode voltage that is independent of the supply voltage (V_S). The ability to operate with common-mode voltages greater or less than V_S allows the TPA191 to be used in high-side and low-side current-sensing applications.

Reference Input, REF

The TPA191 supports both unidirectional and bidirectional current-sensing operations. Connecting the reference input (REF) to ground configures the TPA191 for unidirectional current sensing. For unidirectional current sensing, the output is referenced to ground, and the output voltage V_{OUT} is proportional to the positive voltage drop (V_{SENSE}) from $IN+$ to $IN-$. The TPA191 operates as a bidirectional Current-Sense-Amplifier (CSA) by the application of a low source impedance reference voltage to REF above ground, typically $V_S / 2$. In the bidirectional current-sensing mode of operation, the output voltage V_{OUT} is referenced to V_{REF} .

Application and Implementation

Note

Information in the following application sections is not part of the 3PEAK's component specification and 3PEAK does not warrant its accuracy or completeness. 3PEAK's customers are responsible for determining suitability of components for their purposes. Customers should validate and test their design implementation to confirm system functionality.

Application Information

The TPA191 monitors the current through a current-sense resistor and amplifies the voltage across the resistor. The 36-V input common-mode voltage range of the TPA191 is independent of the supply voltage. It is a bidirectional, current-sense amplifier capable of measuring currents through a resistive shunt in two directions.

Typical Application

Figure 20 and Figure 21 show the typical application schematics of unidirectional and bidirectional applications.

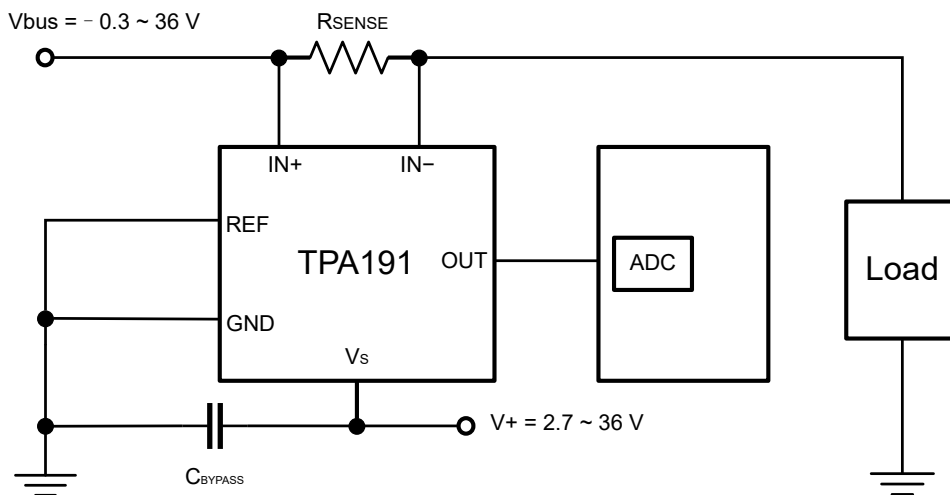


Figure 20. Unidirectional Application Schematic

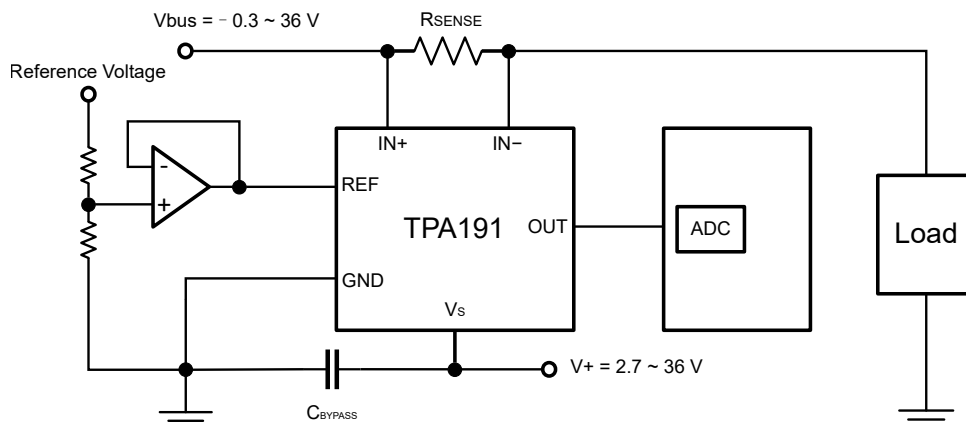


Figure 21. Bidirectional Application Schematic

Zero-Drift, Bi-Directional Current Sense Amplifier

Bidirectional and Unidirectional Operation

The TPA191 series is capable of both unidirectional and bidirectional operations. For unidirectional current-sense applications, connect the REF input to GND. For bidirectional, connect REF to a reference. This sets bidirectional current sense with $V_{OUT} = V_{REF}$ for $V_{SENSE} = 0$ mV. Positive V_{SENSE} causes OUT to swing toward the positive supply, while negative V_{SENSE} causes OUT to swing toward GND. This feature allows the output voltage to measure both charge and discharge currents. Use $V_{REF} = V_S / 2$ for the maximum dynamic range.

Battery-powered systems require a precise bidirectional current-sense amplifier to accurately monitor the charge and discharge currents of the battery. Measurements of OUT with respect to V_{REF} yield positive and negative voltages during charge and discharge cycles.

Choosing the Sense Resistor

A high R_{SENSE} value causes the power-source voltage to drop due to IR loss. For the minimal voltage loss, use the lowest R_{SENSE} value. At high-current levels, the I^2R losses in R_{SENSE} can be significant. This should be taken into consideration when choosing the resistor value and its power dissipation (wattage) rating. The value of the sense resistor drifts if it is allowed to heat up excessively. A high R_{SENSE} value allows lower currents to be measured more accurately because offsets are less significant when the sense voltage is larger. Note that the tolerance and temperature coefficient of the chosen resistors directly affect the precision of any measurement system. For best performance, select R_{SENSE} to provide the approximately maximum input differential sense voltage with full-scale output voltage for each application. Sense resistors of 5 m Ω to 100 m Ω are available with 1% accuracy or better.

Layout

Layout Guideline

- Because the high currents may flow through R_{SENSE} based on the application, take care to eliminate solder and parasitic trace resistance from causing errors in the sense voltage. Either use a four-terminal current sense resistor or use Kelvin (force and sense) PCB layout techniques.
- Ensure that the sense resistor has as much copper trace area as possible to dissipate heat as the resistor value changes slightly with temperature. Also, see the resistor manufacturing datasheet or application notes for further layout guidelines.
- The power-supply bypass capacitor should be placed as close as possible to the supply and ground. The recommended value of this bypass capacitor is 0.1 μF . Additional decoupling capacitance can be added to compensate for noisy or high-impedance power supplies.

Layout Example

Figure 22 shows the location of external components as they appear on the PCB diagram.

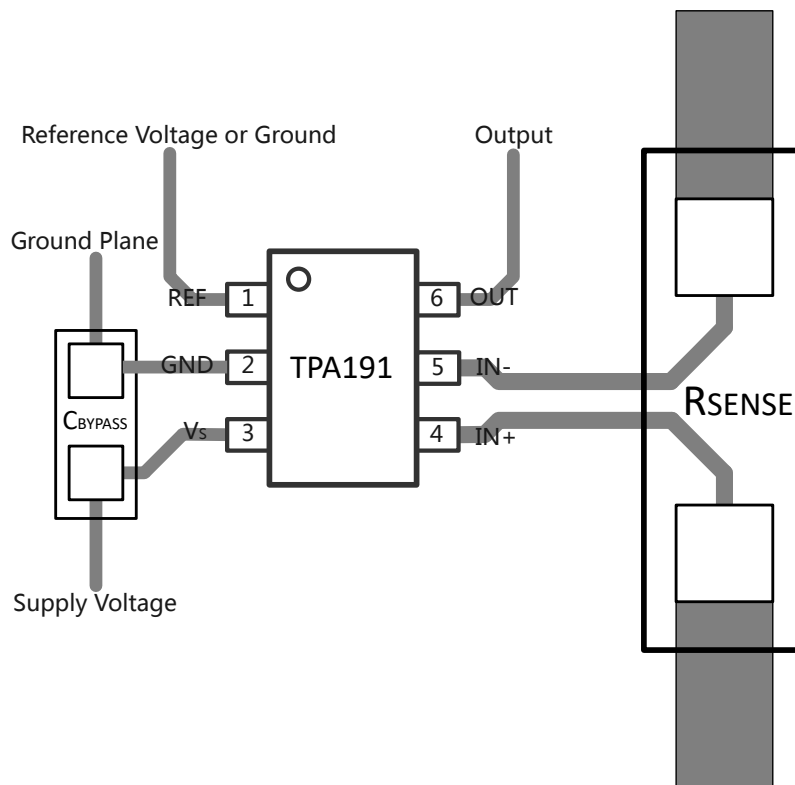
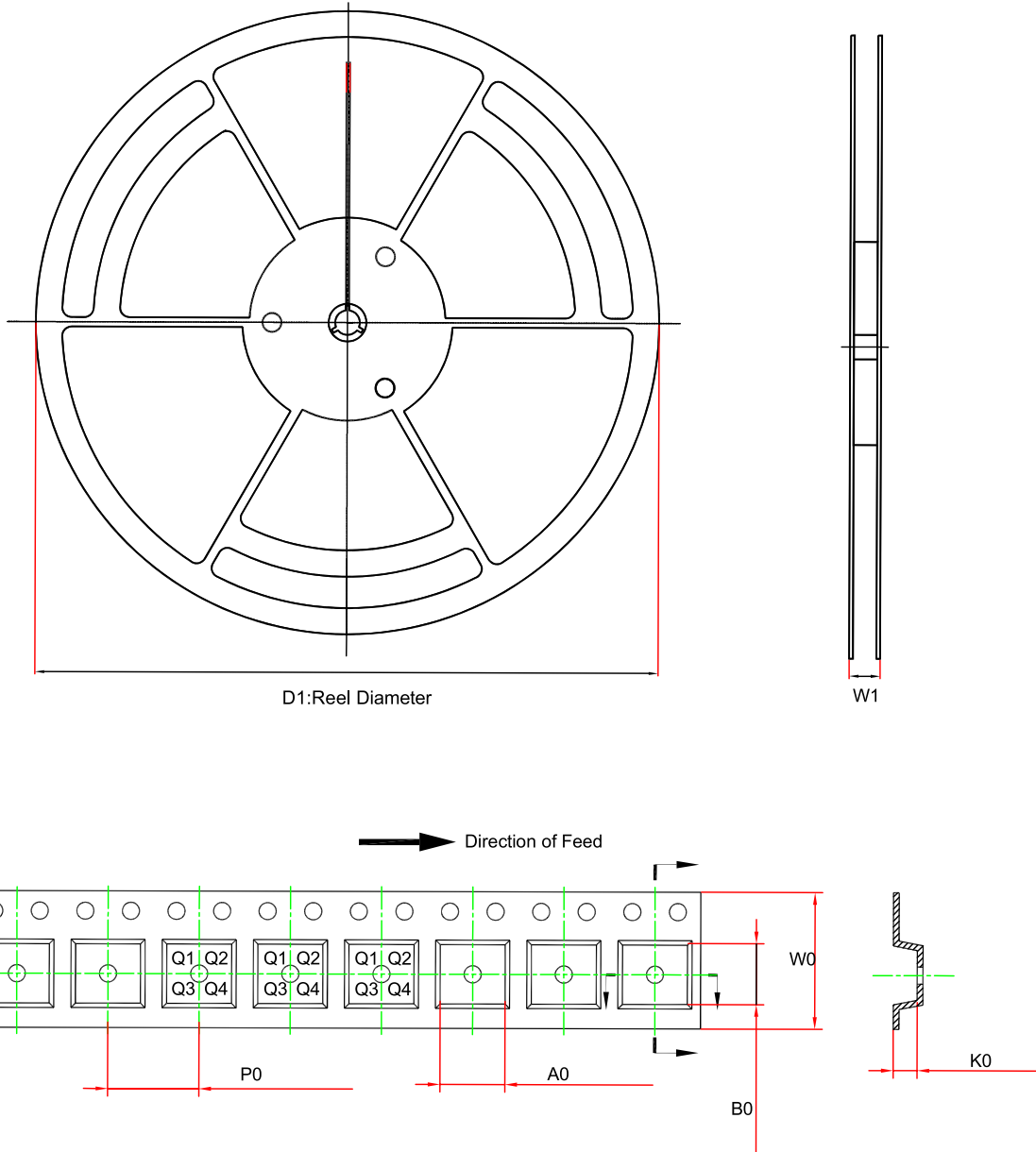


Figure 22. Recommended Layout

Tape and Reel Information

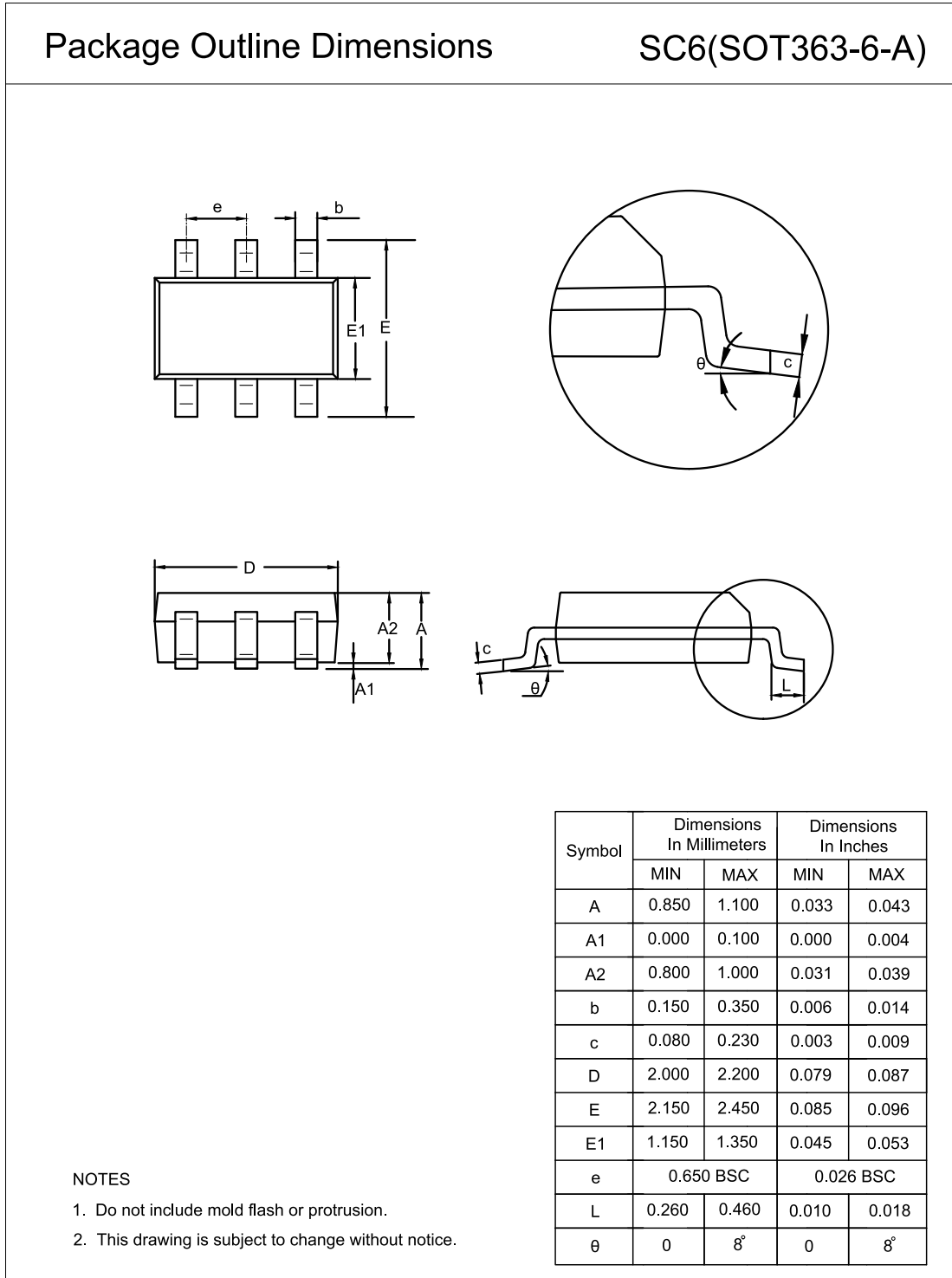


| Order Number | Package | D1 (mm) | W1 (mm) | A0 (mm) ⁽¹⁾ | B0 (mm) ⁽¹⁾ | K0 (mm) ⁽¹⁾ | P0 (mm) | W0 (mm) | Pin1 Quadrant |
|---------------|-----------------|---------|---------|------------------------|------------------------|------------------------|---------|---------|---------------|
| TPA191Ax-SC6R | SOT363 (SC70-6) | 178.0 | 12.1 | 2.4 | 2.5 | 1.2 | 4.0 | 8.0 | Q3 |

(1) The value is for reference only. Contact the 3PEAK factory for more information.

Package Outline Dimensions

SOT363 (SC70-6)



Order Information

| Order Number | Gain Option | Operating Temperature Range | Package | Marking Information | MSL | Transport Media, Quantity | Eco Plan |
|------------------------------|-------------|-----------------------------|-----------------|---------------------|-----|---------------------------|----------|
| TPA191A1-SC6R ⁽¹⁾ | 20 | -40 to 125°C | SOT363 (SC70-6) | 1A1 | 1 | Tape and Reel, 3000 | Green |
| TPA191A2-SC6R | 50 | -40 to 125°C | SOT363 (SC70-6) | 1A2 | 1 | Tape and Reel, 3000 | Green |
| TPA191A3-SC6R | 75 | -40 to 125°C | SOT363 (SC70-6) | 1A3 | 1 | Tape and Reel, 3000 | Green |
| TPA191A4-SC6R | 100 | -40 to 125°C | SOT363 (SC70-6) | 1A4 | 1 | Tape and Reel, 3000 | Green |
| TPA191A5-SC6R | 200 | -40 to 125°C | SOT363 (SC70-6) | 1A5 | 1 | Tape and Reel, 3000 | Green |
| TPA191A6-SC6R ⁽¹⁾ | 500 | -40 to 125°C | SOT363 (SC70-6) | 1A6 | 1 | Tape and Reel, 3000 | Green |
| TPA191A7-SC6R | 1000 | -40 to 125°C | SOT363 (SC70-6) | 1A7 | 1 | Tape and Reel, 3000 | Green |

(1) For future products, contact the 3PEAK factory for more information and samples.

Green: 3PEAK defines "Green" to mean RoHS compatible and free of halogen substances.

IMPORTANT NOTICE AND DISCLAIMER

Copyright© 3PEAK 2012-2026. All rights reserved.

Trademarks. Any of the 思瑞浦 or 3PEAK trade names, trademarks, graphic marks, and domain names contained in this document /material are the property of 3PEAK. You may NOT reproduce, modify, publish, transmit or distribute any Trademark without the prior written consent of 3PEAK.

Performance Information. Performance tests or performance range contained in this document/material are either results of design simulation or actual tests conducted under designated testing environment. Any variation in testing environment or simulation environment, including but not limited to testing method, testing process or testing temperature, may affect actual performance of the product.

Disclaimer. 3PEAK provides technical and reliability data (including data sheets), design resources (including reference designs), application or other design recommendations, networking tools, security information and other resources "As Is". 3PEAK makes no warranty as to the absence of defects, and makes no warranties of any kind, express or implied, including without limitation, implied warranties as to merchantability, fitness for a particular purpose or non-infringement of any third-party's intellectual property rights. Unless otherwise specified in writing, products supplied by 3PEAK are not designed to be used in any life-threatening scenarios, including critical medical applications, automotive safety-critical systems, aviation, aerospace, or any situations where failure could result in bodily harm, loss of life, or significant property damage. 3PEAK disclaims all liability for any such unauthorized use.