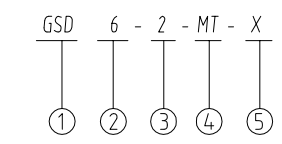
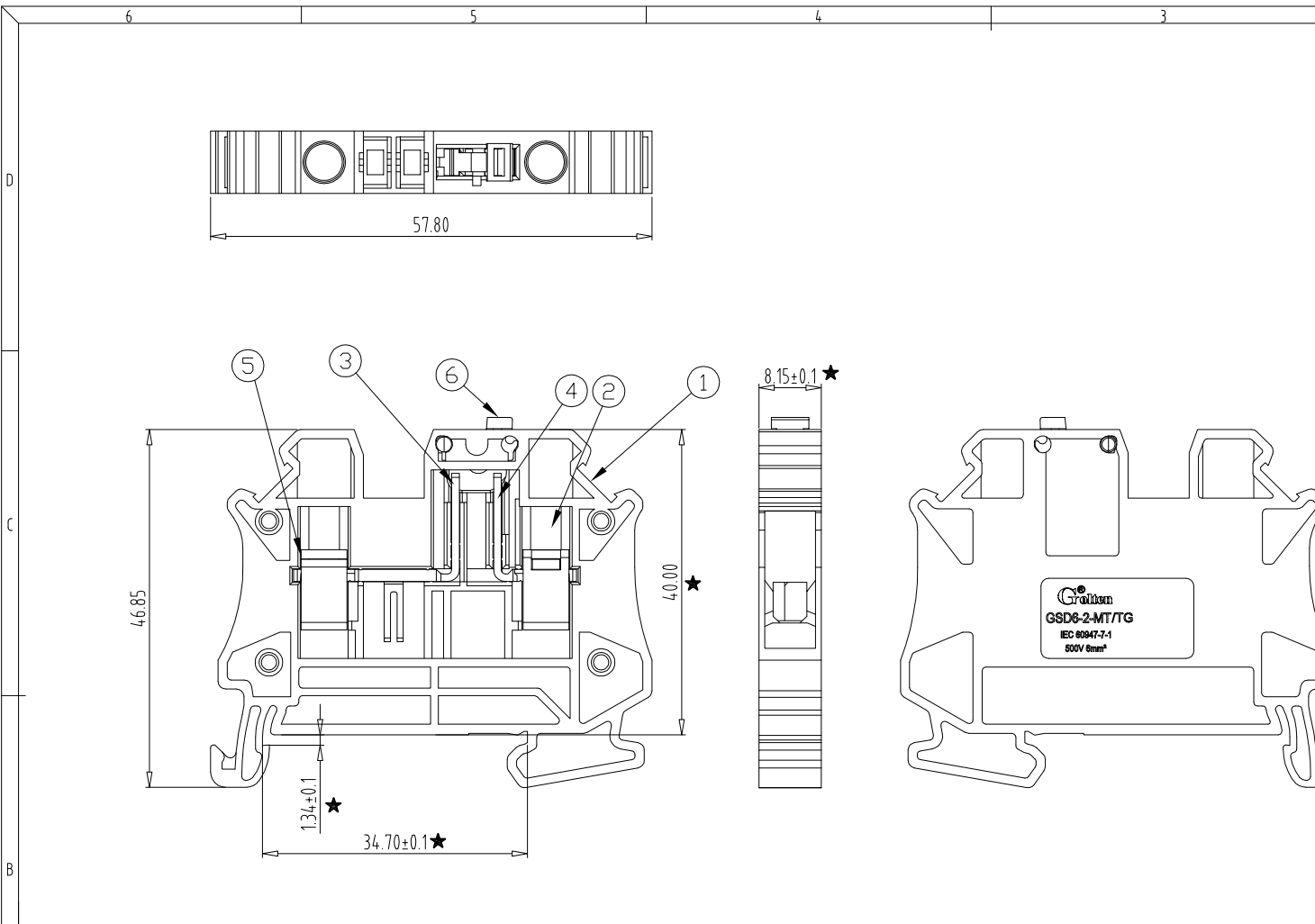


REV	CONTENT	CHK	DATE
V0.0	CONTENT	SYJ	25.04.11

Electrical :                   UL                   IEC  
 1.Rated Voltage :           600V                   500V  
 2.Rated Current :           16A                    20A  
 3.Wire Range:               24-8AWG               0.25-6mm<sup>2</sup>  
 4.Torque Value :   M4 1.2 N.M  
 4.Stripping Length : 8-10mm  
 5.Operating Temperature : -40°C ~ +105°C  
 6.RoHS Compliance  
 7."★" is the key quality control point



- ① Series NO.
- ② Wire diameter  
0.25-6mm<sup>2</sup>  
24-8AWG
- ③ Connection quantity
- ④ Knife switch
- ⑤ Color: GY-Grey  
BU-Blue  
BK-Black  
GN-Green  
OG-Orange  
RD-Red  
YE-Yellow  
WH-White  
PE-Yellow & Green  
BE-Beige

6	Knife switch	XX	1	Copper alloy	Tin Plated
5	Cage	XX	2	Steel	Zn Plated
4	CONDUCTOR B	XX	1	Copper alloy	Tin Plated
3	CONDUCTOR A	XX	1	Copper alloy	Tin Plated
2	Screw	XX	2	Steel	Zn Plated
1	HOUSING	XX	1	PA66 UL94V-0	SEE NOTE
ITEM	NAME OF PART	NO. OF PART	Q'TY	MATERIAL	NOTE
DWG.	SYJ	DATE	25.04.11	SIZE	A4 UNITS mm SHEET/OF 1 / 1
CHK.		DATE		SCALE	1:1
APP.		DATE		NAME	GSD6-2-MT-X
宁波冠泰电子有限公司 NINGBO GOLTEN ELECTRONICS CO., LTD.				DWGNO.	XXXX

Total Pitch Tolerances in mm										Nominal dimension range in mm										⊥	≡	—	//		
over 0	over 30	over 53	over 70	over 90	over 115	over 150	over 250	over 350	over 500	over 0	over 30	over 53	over 70	over 90	over 115	over 150	over 200	over 250	over 320	over 0	over 10	all	over 0	over 100	over 150
±0.18	±0.20	±0.25	±0.3	±0.35	±0.44	±0.60	±0.70	±0.85	±0.20	±0.25	±0.30	±0.35	±0.44	±0.55	±0.70	±0.80	±0.90	0.2	0.3	0.3	0.2	0.3	0.5		