

REV	CONTENT	CHK	DATE
V0.0	CONTENT	SYJ	25.09.17

Electrical :                      UL                      IEC

1.Rated Voltage :                      / V                      / V

2.Rated Current :                      / A                      / A

3.Wire Range:                      22-8AWG                      0.5-6mm<sup>2</sup>

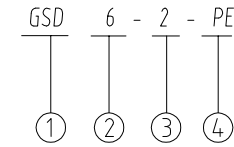
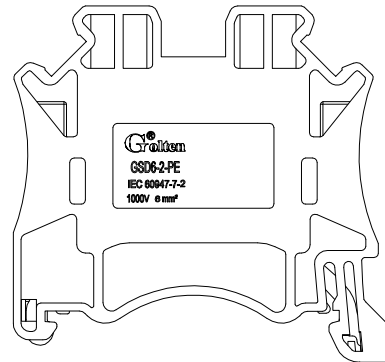
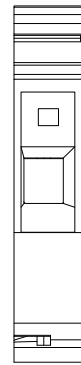
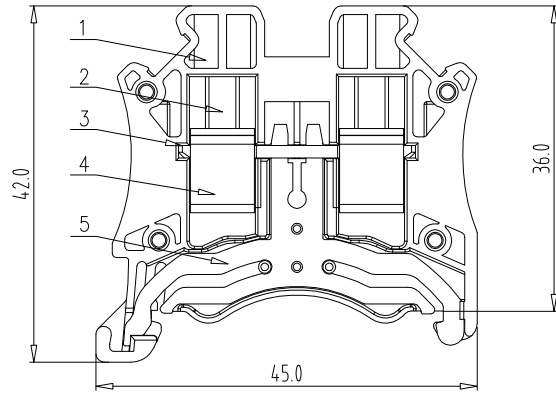
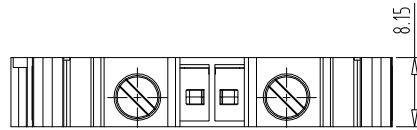
4.Torque Value :                      M4 1.54 N.M 14 Lb.in

5.Stripping Length : 8-9mm

6.Operating Temperature : -40°C~+105°C

7.RoHS Compliance

8."★" is the key quality control point



- ① Series NO.
- ② Wire diameter  
0.5-6mm<sup>2</sup>  
22-8AWG
- ③ Connection quantity
- ④ Color: PE-Yellow & Green

5	Grounding	XX	2	Copper alloy	Tin Plated
4	Cage	XX	2	Steel	Zn Plated
3	CONDUCTOR	XX	1	Copper alloy	Tin Plated
2	Screw	XX	2	Steel	Zn Plated
1	HOUSING	XX	1	PA66 UL94V-0	SEE NOTE
ITEM	NAME OF PART	NO. OF PART	Q'TY	MATERIAL	NOTE
DWG.	SYJ	DATE	25.09.17	SIZE	A4 UNITS mm SHEET/OF 1/1
CHK.	DATE			SCALE	1:1
APP.	DATE			NAME	GSD6-2-PE
宁波冠泰电子有限公司 NINGBO GOLTEN ELECTRONICS CO., LTD.				DWGNO.	XXXX

Total Pitch Tolerances in mm										Nominal dimension range in mm										⊥	≡	—	//		
over 0	over 30	over 53	over 70	over 90	over 115	over 150	over 250	over 350	over 500	over 0	over 30	over 53	over 70	over 90	over 115	over 150	over 200	over 250	over 320	over 0	over 10	all	over 0	over 100	over 150
±0.18	±0.20	±0.25	±0.3	±0.35	±0.44	±0.60	±0.70	±0.85	±0.20	±0.25	±0.30	±0.35	±0.44	±0.55	±0.70	±0.80	±0.90	0.2	0.3	0.3	0.2	0.3	0.5		