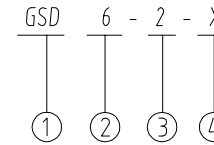
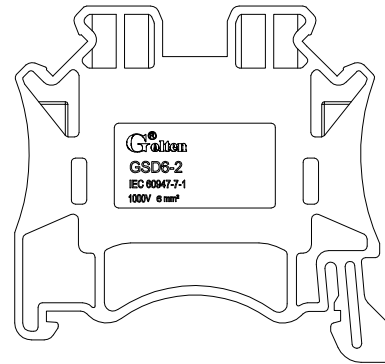
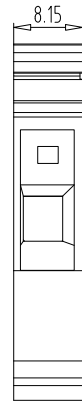
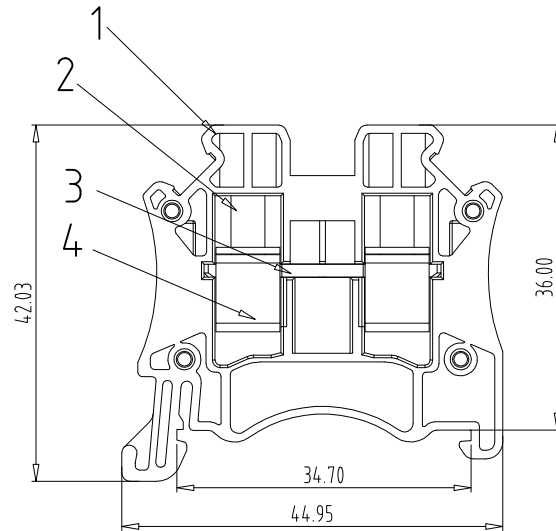
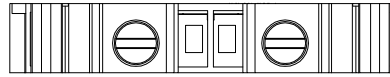


REV	CONTENT	CHK	DATE
V0.0	CONTENT	SYJ	24.07.26

Electrical : UL IEC
 1.Rated Voltage : 600V 1000V
 2.Rated Current : 50A 41A
 3.Wire Range: 24-8AWG 0.25-6mm²
 4.Torque Value : M4 1.2N.M
 5.Stripping Length : 10-12mm
 6.Operating Temperature : -40°C~+105°C
 7.RoHS Compliance
 8."★" is the key quality control point



- ① Series NO.
- ② Wire diameter
0.25-6mm²
24-8AWG
- ③ Connection quantity
- ④ Color: GY-Grey
BU-Blue
BK-Black
GN-Green
OG-Orange
RD-Red
YE-Yellow
WH-White
PE-Yellow & Green
BE-Beige



4	Cage	XX	2	Steel	Zn Plated
3	CONDUCTOR	XX	1	Copper alloy	Tin Plated
2	Screw	XX	2	Steel	Zn Plated
1	HOUSING	XX	1	PA66 UL94V-0	SEE NOTE
ITEM	NAME OF PART	NO. OF PART	Q'TY	MATERIAL	NOTE
DWG.	SYJ	DATE	24.07.26	SIZE	A4 UNITS mm SHEET/OF 1 / 1
CHK.		DATE		SCALE	1:1
APP.		DATE		NAME GSD6-2-X	
宁波冠泰电子有限公司 NINGBO GOLTEN ELECTRONICS CO., LTD.					

Total Pitch Tolerances in mm										Nominal dimension range in mm										⊥	≡	—	//		
over 0	over 30	over 53	over 70	over 90	over 115	over 150	over 250	over 350	over 500	over 0	over 30	over 53	over 70	over 90	over 115	over 150	over 200	over 250	over 320	over 0	over 10	all	over 0	over 100	over 150
to 30	to 53	to 70	to 90	to 115	to 150	to 250	to 350	to 500	to 30	to 53	to 70	to 90	to 115	to 150	to 200	to 250	to 320	to 10	to 10		to 100	to 150	to 150		
±0.18	±0.20	±0.25	±0.3	±0.35	±0.44	±0.60	±0.70	±0.85	±0.20	±0.25	±0.30	±0.35	±0.44	±0.55	±0.70	±0.80	±0.90	0.2	0.3	0.3	0.2	0.3	0.5		