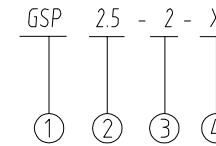
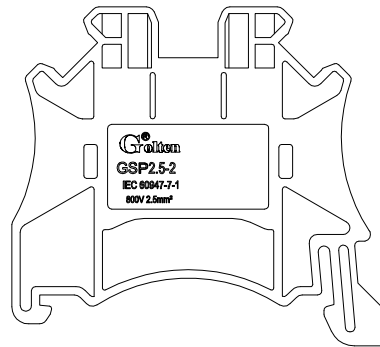
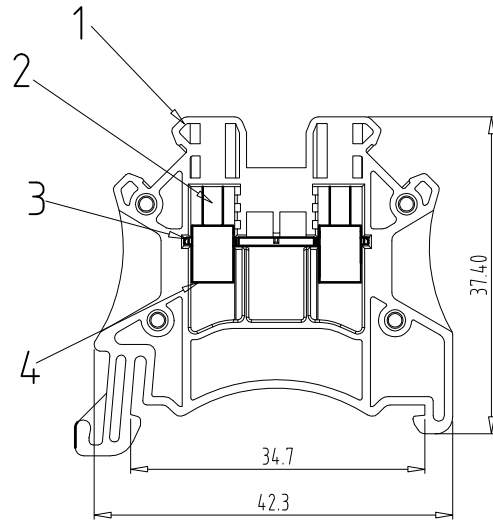


REV	CONTENT	CHK	DATE
V0.0	CONTENT	SYJ	25.08.16

Electrical : UL IEC
 1.Rated Voltage : 600V 800V
 2.Rated Current : 20A 24A
 3.Wire Range: 24-12AWG 0.2-2.5mm²
 4.Torque Value : M3 0.5 N.M 4.5 Lb.in
 5.Stripping Length : 8-9mm
 6.Operating Temperature : -40°C~+105°C
 7.RoHS Compliance
 8."★" is the key quality control point



- ① Series NO.
- ② Wire diameter
0.2-2.5mm²
24-12AWG
- ③ Connection quantity
- ④ Color: GY-Grey
BU-Blue
BK-Black
GN-Green
OG-Orange
RD-Red
YE-Yellow
WH-White
PE-Yellow & Green
BE-Beige



4	Cage	XX	2	Copper alloy	Ni Plated
3	CONDUCTOR	XX	1	Copper alloy	Tin Plated
2	Screw	XX	2	Copper alloy	Ni Plated
1	HOUSING	XX	1	PA66 UL94V-0	SEE NOTE
ITEM	NAME OF PART	NO. OF PART	Q'TY	MATERIAL	NOTE
DWG.	SYJ	DATE	25.08.16	SIZE	A4 UNITS mm SHEET/OF 1 / 1
CHK.		DATE		SCALE	1:1
APP.		DATE		NAME	GSP2.5-2-X
宁波冠泰电子有限公司 NINGBO GOLTEN ELECTRONICS CO., LTD.					

Total Pitch Tolerances in mm										Nominal dimension range in mm										⊥	≡	—	//
over	over	over	over	over	over	over	over	over	over	over	over	over	over	over	over	over	over	over	over	over	over	over	over
0	30	53	70	90	115	150	250	350	500	0	30	53	70	90	115	150	200	250	320	0	10	all	100
to	to	to	to	to	to	to	to	to	to	to	to	to	to	to	to	to	to	to	to	to	to	to	to
30	53	70	90	115	150	250	350	500	30	53	70	90	115	150	200	250	320	10	10	100	100	150	150
±0.18	±0.20	±0.25	±0.3	±0.35	±0.44	±0.60	±0.70	±0.85	±0.20	±0.25	±0.30	±0.35	±0.44	±0.55	±0.70	±0.80	±0.90	0.2	0.3	0.3	0.2	0.3	0.5