

REV	CONTENT	CHK	DATE
V0.0	CONTENT	SYJ	25.09.17

Electrical :

1.Rated Voltage : /V

2.Rated Current : /A

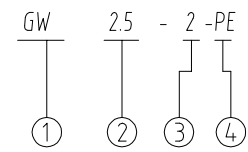
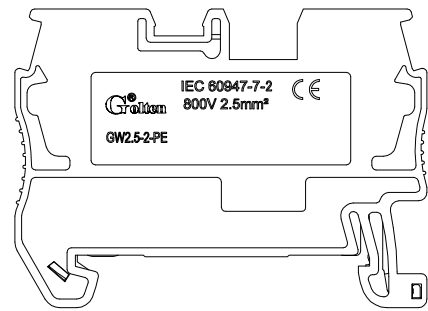
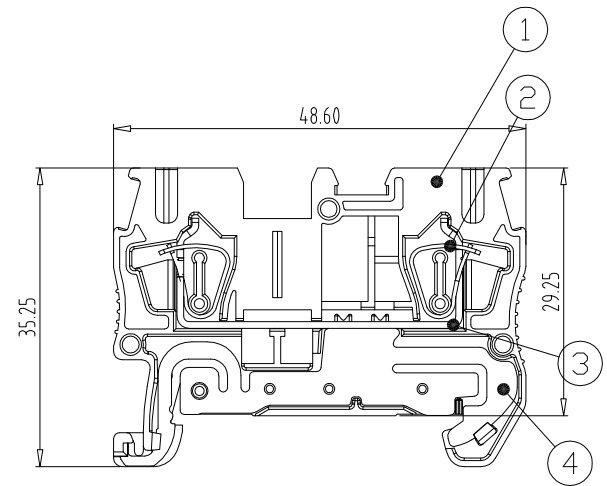
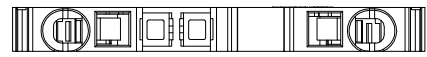
3.Wire Range: 0.14-2.5mm<sup>2</sup> 28-12AWG

4.Stripping Length : 8-10mm

5.Operating Temperature : -40°C~+105°C

6.RoHS Compliance

7."★" is the key quality control point



- ① Series NO.
- ② Wire diameter  
0.14-2.5mm<sup>2</sup>  
28-12AWG
- ③ Connection quantity
- ④ Color: PE-Yellow & Green

4	Grounding	XX	2	Copper alloy	Tin Plated
3	CONDUCTOR	XX	1	Copper alloy	Tin Plated
2	SPRING	XX	2	Stainless Steel	/
1	HOUSING	XX	1	PA66 UL94V-0	SEE NOTE
ITEM	NAME OF PART	NO. OF PART	Q"TY	MATERIAL	NOTE
DWG.	SYJ	DATE	25.09.17	SIZE	A4 UNITS mm SHEET/OF 1 / 1
CHK.	DATE			SCALE	1:1
APP.	DATE			NAME	GW2.5-2-PE
				DWGNO.	XXXX

Total Pitch Tolerances in mm										Nominal dimension range in mm										⊥	≡	—	//		
over 0	over 30	over 53	over 70	over 90	over 115	over 150	over 250	over 350	over 500	over 0	over 30	over 53	over 70	over 90	over 115	over 150	over 200	over 250	over 320	over 0	over 10	all	over 0	over 100	over 150
±0.18	±0.20	±0.25	±0.3	±0.35	±0.44	±0.60	±0.70	±0.85	±0.20	±0.25	±0.30	±0.35	±0.44	±0.55	±0.70	±0.80	±0.90	0.2	0.3	0.3	0.2	0.3	0.5		

**Golten** 宁波冠泰电子有限公司  
NINGBO GOLTEN ELECTRONICS CO., LTD.