

REV	CONTENT	CHK	DATE
V0.0	CONTENT	RQC	25.06.20

Electrical : UL IEC

1.Rated Voltage : 600V 800V

2.Rated Current : 20A 24A

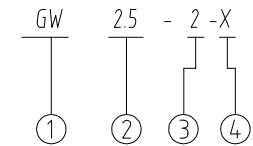
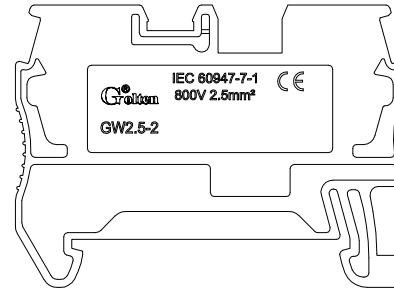
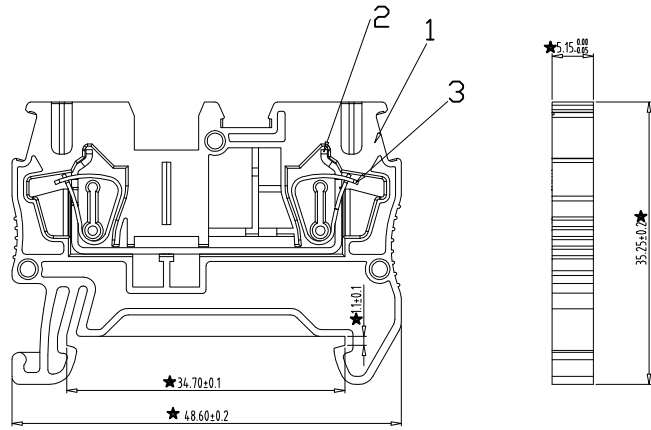
3.Wire Range: 28-14AWG 0.14-2.5mm²

4.Stripping Length : 8-10mm

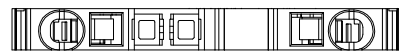
5.Operating Temperature : -40°C~+105°C

6.RoHS Compliance

7."★" is the key quality control point



- ① Series NO.
- ② Wire diameter
0.14-2.5mm²
28-14AWG
- ③ Connection quantity
- ④ Color: GY-Grey
BU-Blue
BK-Black
GN-Green
OG-Orange
RD-Red
YE-Yellow
WH-White
PE-Yellow & Green
BE-Beige



3	SPRING	XX	2	Stainless Steel	SEE NOTE
2	CONDUCTOR1	XX	1	Copper	Tin Plated
1	HOUSING	XX	1	PA66 UL94V-0	SEE NOTE
ITEM	NAME OF PART	NO. OF PART	Q"TY	MATERIAL	NOTE
DWG.	RQC	DATE	25.06.20	SIZE	A4 UNITS mm SHEET/OF 1 / 1
CHK.	DATE			SCALE	1:1
APP.	DATE			NAME	GW2.5-2-X
宁波冠泰电子有限公司 NINGBO GOLTEN ELECTRONICS CO., LTD.				DWGNO.	XXXX

Total Pitch Tolerances in mm										Nominal dimension range in mm										⊥	≡	—	//		
over 0	over 30	over 53	over 70	over 90	over 115	over 150	over 250	over 350	over 500	over 0	over 30	over 53	over 70	over 90	over 115	over 150	over 200	over 250	over 320	over 0	over 10	all	over 0	over 100	over 150
±0.18	±0.20	±0.25	±0.3	±0.35	±0.44	±0.60	±0.70	±0.85	±0.20	±0.25	±0.30	±0.35	±0.44	±0.55	±0.70	±0.80	±0.90	0.2	0.3	0.3	0.2	0.3	0.5		