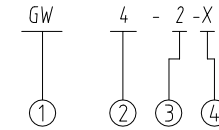
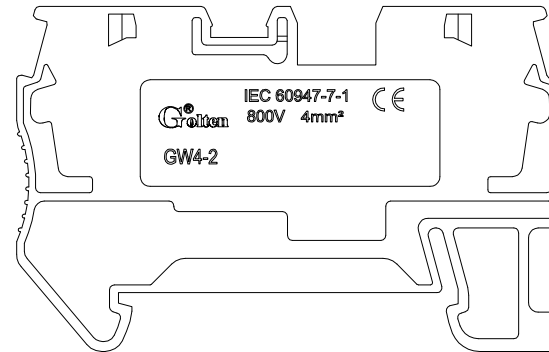
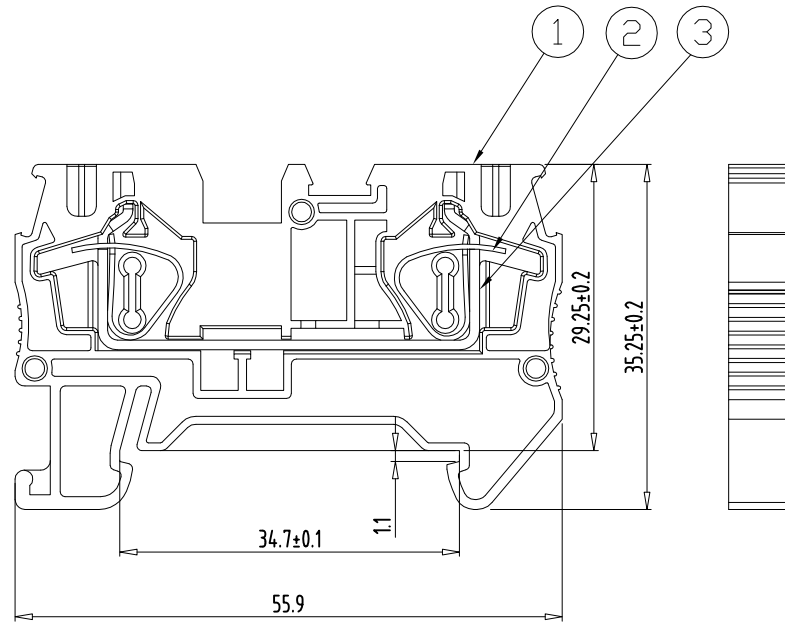
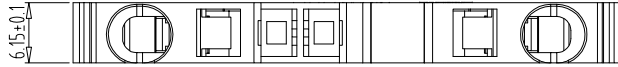


REV	CONTENT	CHK	DATE
V0.0	CONTENT	SYJ	24.12.23

Electrical :

- |  |                       |          |
|--|-----------------------|----------|
|  | IEC                   | UL       |
| 1.Rated Voltage :                      | 800V                  | 600V     |
| 2.Rated Current :                      | 32A                   | 30A      |
| 3.Wire Range:                          | 0.14-4mm <sup>2</sup> | 28-10AWG |
| 4.Stripping Length :                   | 8-10mm                |          |
| 5.Operating Temperature :              | -40°C ~ +105°C        |          |
| 6.RoHS Compliance                      |                       |          |
| 7."★" is the key quality control point |                       |          |



- ① Series NO.
- ② Wire diameter  
0.14-4mm<sup>2</sup>  
28-10AWG
- ③ Connection quantity
- ④ Color: GY-Grey  
BU-Blue  
BK-Black  
GN-Green  
OG-Orange  
RD-Red  
YE-Yellow  
WH-White  
PE-Yellow & Green  
BE-Beige

3	CONDUCTOR	XX	1	Copper	Sn Plated
2	SPRING	XX	2	Stainless Steel	/
1	HOUSING	XX	1	PA66 UL94V-0	SEE NOTE
ITEM	NAME OF PART	NO. OF PART	Q"TY	MATERIAL	NOTE
DWG.	SYJ	DATE	24.12.23	SIZE	A4 UNITS mm SHEET/OF 1 / 1
CHK.		DATE		SCALE	1:1
APP.		DATE		NAME <b>GW4-2-X</b>	
宁波冠泰电子有限公司 NINGBO GOLTEN ELECTRONICS CO., LTD.					

Total Pitch Tolerances in mm										Nominal dimension range in mm										⊥	≡	-	//		
over 0	over 30	over 53	over 70	over 90	over 115	over 150	over 250	over 350	over 500	over 0	over 30	over 53	over 70	over 90	over 115	over 150	over 200	over 250	over 320	over 0	over 10	all	over 0	over 100	over 150
±0.18	±0.20	±0.25	±0.3	±0.35	±0.44	±0.60	±0.70	±0.85	±0.20	±0.25	±0.30	±0.35	±0.44	±0.55	±0.70	±0.80	±0.90	0.2	0.3	0.3	0.2	0.3	0.5		