

POWER FERRITE TRANSFORMERS

1-6W E16-SINGLE OUTPUT FLYBACK TRANSFORMERS

T 74001, 74002 SERIES

FEATURES:

- Primary / Secondary Insulation \geq 4000V
- Primary Auxiliary Insulation \geq 1500V
- Creepage distances Primary / secondary \geq 6mm

OPTIONS:

- Bulk packaging is standard
- Custom design available

COMMON APPLICATIONS:

- AC-DC converters
- DC-DC converters
- Switch Power supplies
- SMPS: Flyback, Forward and Push-pull
- SMPS: Half Bridge and Full Bridge

ELECTRICAL CHARACTERISTICS

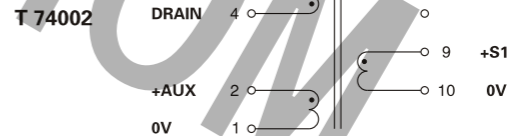
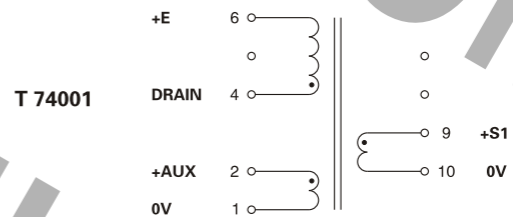
Control IC Manufacturer	Control IC P/N	Input voltage	Power	Frequency
Infineon	TDA16831	185 – 265 Vrms	6 w	100 kHz
Motorola	MC33369	85 – 265 Vrms	6 w	100 kHz
Power Integrations	TOP242P	85 – 265 Vrms	6 w	132 kHz
ST Microelectronics	VIPer20	85 – 265 Vrms	6 w	70 kHz
ST Microelectronics	VIPer20	85 – 265 Vrms	3 w	40 kHz

TECHNICAL INFORMATION

- Ambient temperature $<$ 60°C
- Construction conforms to CEI950, CEI335, CEI61558 for reinforced insulation
- Exclusively uses UL94-V0 listed materials

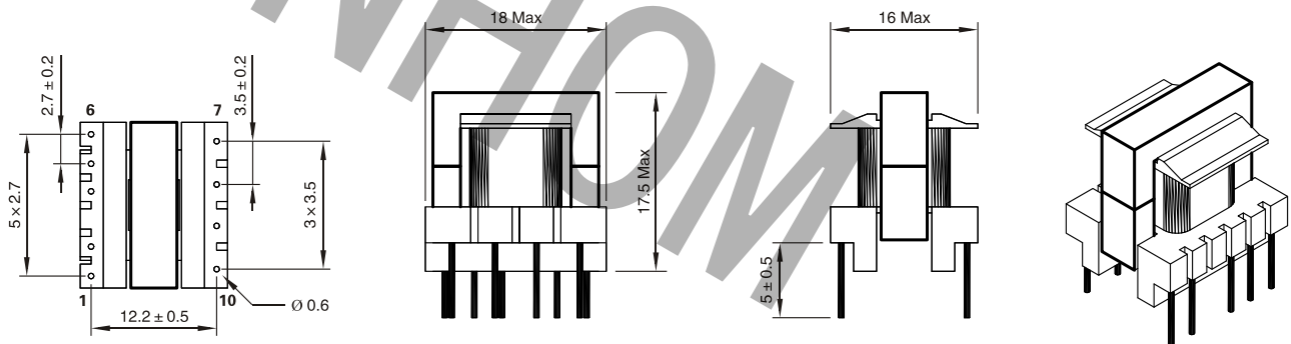
SIZE E16 – SINGLE OUTPUT : 5 or 12V – FLYBACK TRANSFORMER							
Part Number	Output Power max	Windings					
		Pins	Turns	Voltage	Current max	Inductance (+/-10%)	
T 74001	6w	Pri	4-6	138	60 – 120 (VOR)	0.35 Apeak	3000 μ H
		Aux	2-1	16	8 – 16 Vdc	0.1 Adc	
		S1	9-10	8	3 – 6 Vdc	1.2 Adc	
T 74002	6w	Pri	4-6	150	60 – 120 (VOR)	0.38 Apeak	3000 μ H
		Aux	2-1	22	8.5 – 17 Vdc	0.1 Adc	
		S1	9-10	24	9 – 18 Vdc	0.5 Adc	

Note: Regulation with auxiliary winding



Note: PIN 3 Removed, PCB Drilling Diameter = 1.1mm

PHYSICAL CHARACTERISTICS



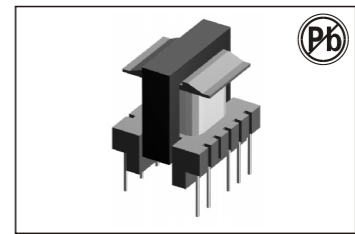
All dimensions in mm

POWER FERRITE TRANSFORMERS

1-6W E16 - 2 OUTPUT

FLYBACK TRANSFORMER SERIES

T 74000, 74003 SERIES



FEATURES:

- Primary / Secondary Insulation \geq 4000V
- Primary Auxiliary Insulation \geq 1500V
- Creepage distances Primary / secondary \geq 6mm

OPTIONS:

- Bulk packaging is standard
- Custom design available

COMMON APPLICATIONS:

- AC-DC converters
- DC-DC converters
- Switch Power supplies
- SMPS: Flyback, Forward and Push-pull
- SMPS: Half Bridge and Full Bridge

ELECTRICAL CHARACTERISTICS

74000 E16 5w 5/12V				
Control IC Manufacturer	Control IC P/N	Input voltage	Power	Frequency
Power Integrations	TOP242P	85 - 265 Vrms	5 w	132 kHz
ST Microelectronics	VIPer20	85 - 265 Vrms	4 w	70 kHz

74003 E16 6w 3.3/5V				
Control IC Manufacturer	Control IC P/N	Input voltage	Power	Frequency
Infineon	TDA16831	185 - 265 Vrms	6 w	100 kHz
Motorola	MC33369	85 - 265 Vrms	6 w	100 kHz
Power Integrations	TOP242P	85 - 265 Vrms	5 w	132 kHz
ST Microelectronics	VIPer20	85 - 265 Vrms	6 w	70 kHz
ST Microelectronics	VIPer20	85 - 265 Vrms	3 w	40 kHz

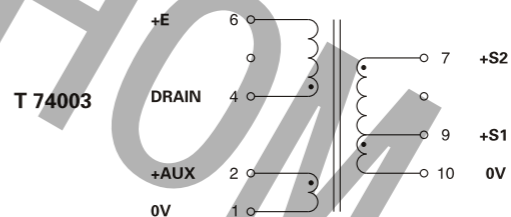
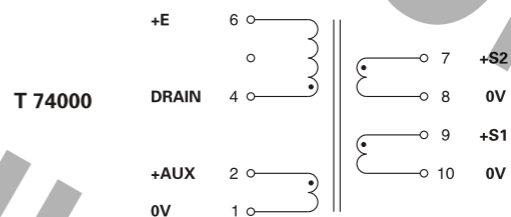
SIZE E16 - 2 OUTPUT : 5 or 12V & 3.3 or 5V - FLYBACK TRANSFORMER

Part Number	Output Power max	Windings					Inductance (+/-10%)
			Pins	Turns	Voltage	Current max	
T 74000	5w	Pri	4-6	138	62 - 130 (VOR)	0.27 Apeak	3900 μ H
		Aux	2-1	16	7 - 14 Vdc	0.1 Adc	
		S1	9-10	8	3.3 - 7 Vdc	1.2 Adc	
		S2	7-8	19	8 - 17 Vdc	0.4 Adc	
T 74003	6w	Pri	4-6	120	55 - 115 (VOR)	0.3 Apeak	3000 μ H
		Aux	2-1	17	8 - 16 Vdc	0.1 Adc	
		S1	9-10	5	2 - 4 Vdc	0.8 Adc	
		S2	7-10	7	3 - 6 Vdc	1.2 Adc	

Note: Regulation with auxiliary winding

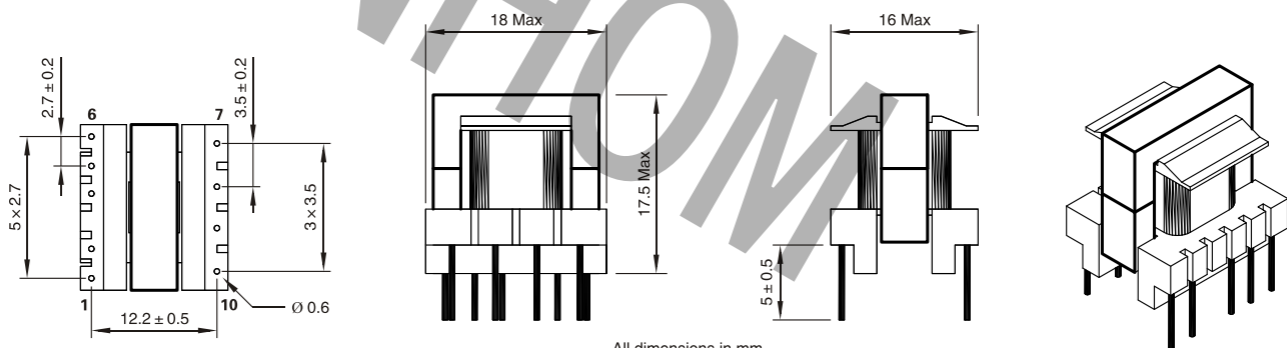
TECHNICAL INFORMATION

- Ambient temperature $<$ 70°C
- Construction conforms to CEI950, CEI335, CEI61558 for reinforced insulation
- Exclusively uses UL94-VO listed materials

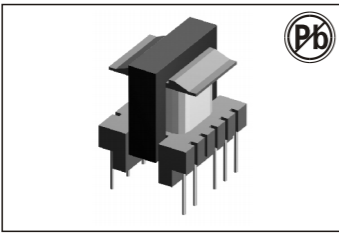


Note: PIN 3 Removed, PCB Drilling Diameter = 1.1mm

PHYSICAL CHARACTERISTICS



All dimensions in mm



POWER FERRITE TRANSFORMERS 1-9W E16-SINGLE OUTPUT TRANSFORMER FOR TINYSWITCHES T 74090, 74091 SERIES

FEATURES:

- Primary / Secondary Insulation $\geq 4000V$
- Creepage distances Primary / secondary $\geq 6mm$

OPTIONS:

- Bulk packaging is standard
- Custom design available

COMMON APPLICATIONS:

- AC-DC converters
- DC-DC converters
- Switch Power supplies
- SMPS: Flyback, Forward and Push-pull
- SMPS: Half Bridge and Full Bridge

ELECTRICAL CHARACTERISTICS

74090				
Control IC Manufacturer	Control IC P/N	Input voltage	Power	Frequency
Power Integrations	TNY254	85 – 265 Vrms	1.5 w	44 kHz

74091				
Control IC Manufacturer	Control IC P/N	Input voltage	Power	Frequency
Power Integrations	TNY254	85 – 265 Vrms	1.5 w	44 kHz

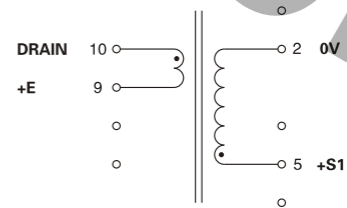
SIZE E16 – SINGLE OUTPUT : 5 or 12V TRANSFORMER FOR TINYSWITCH							
Part Number	Output Power max	Windings					Inductance (+/-10%)
			Pins	Turns	Voltage	Current max	
T 74090	1.5w	Pri	10-9	228	50-95 (VOR)	0.28 Apeak	6000 μ H
		S1	5-2	16	3.3-6 Vdc	0.4 Adc	
T 74091	1.5w	Pri	10-9	228	65-130 (VOR)	0.28 Apeak	6000 μ H
		S1	5-2	28	7.5 – 15 Vdc	0.2 Adc	

Note: Regulation with auxiliary winding

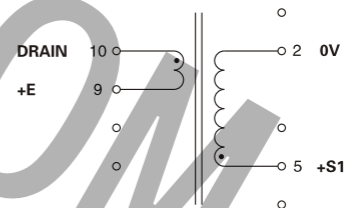
TECHNICAL INFORMATION

- Ambient temperature $< 85^{\circ}C$
- Construction conforms to CEI950, CEI335, CEI61558 for reinforced insulation
- Exclusively uses UL94-VO listed materials

T 74090

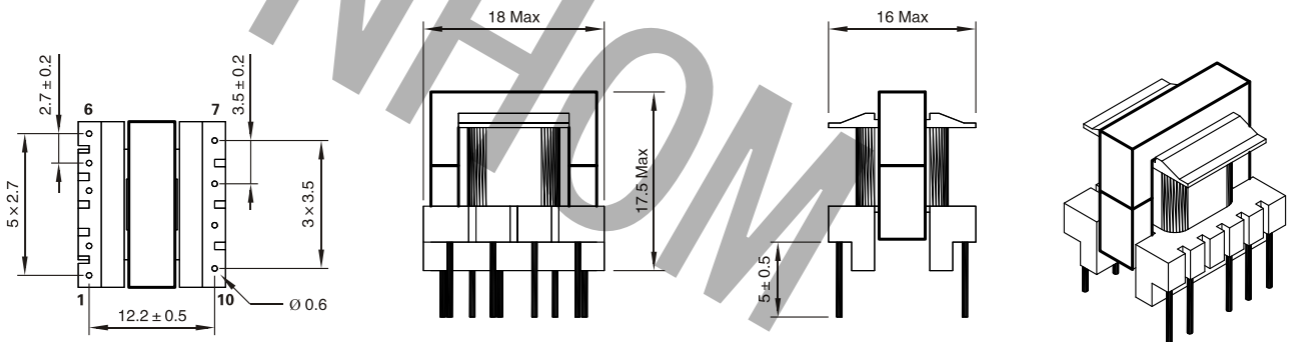


T 74091



Note: PIN 3 Removed, PCB Drilling Diameter = 1.1mm

PHYSICAL CHARACTERISTICS

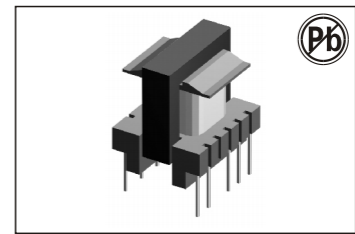


All dimensions in mm

POWER FERRITE TRANSFORMERS

1-9W E16-SINGLE OUTPUT TRANSFORMER FOR TINYSWITCHS

T 74092, 74093 SERIES



FEATURES:

- Primary / Secondary Insulation $\geq 4000V$
- Creepage distances Primary / secondary $\geq 6mm$

OPTIONS:

- Bulk packaging is standard
- Custom design available

COMMON APPLICATIONS:

- AC-DC converters
- DC-DC converters
- Switch Power supplies
- SMPS: Flyback, Forward and Push-pull
- SMPS: Half Bridge and Full Bridge

ELECTRICAL CHARACTERISTICS

74092				
Control IC Manufacturer	Control IC P/N	Input voltage	Power	Frequency
Power Integrations	TNY254	85 - 265 Vrms	3.1 w	44 kHz

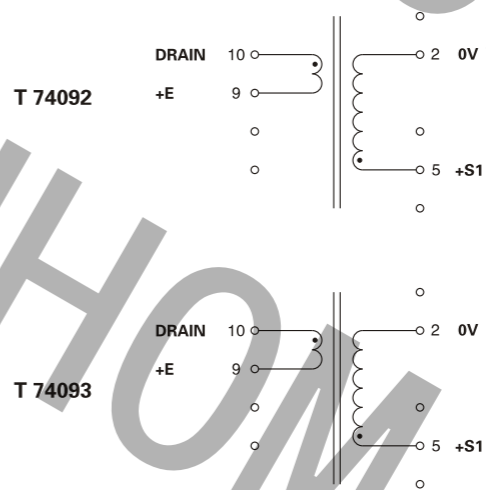
74093				
Control IC Manufacturer	Control IC P/N	Input voltage	Power	Frequency
Power Integrations	TNY254	85 - 265 Vrms	3.1 w	44 kHz

SIZE E16 - SINGLE OUTPUT : 5 or 12V TRANSFORMER FOR TINYSWITCH							
Part Number	Output Power max	Windings					Inductance (+/-10%)
			Pins	Turns	Voltage	Current max	
T 74092	3.1w	Pri	10-9	191	55-100 (VOR)	0.34 Apeak	4200 μH
		S1	5-2	13	3.3-6 Vdc	0.9 Adc	
T 74093	3.1w	Pri	10-9	191	65-125 (VOR)	0.34 Apeak	4200 μH
		S1	5-2	24	7.5 - 15 Vdc	0.4 Adc	

Note: Regulation with auxiliary winding

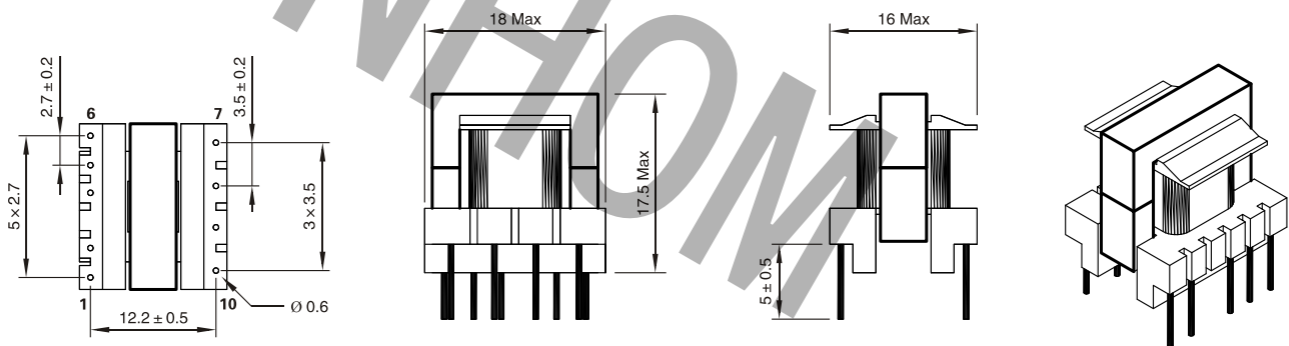
TECHNICAL INFORMATION

- Ambient temperature $< 70^{\circ}C$
- Construction conforms to CEI950, CEI335, CEI61558 for reinforced insulation
- Exclusively uses UL94-V0 listed materials

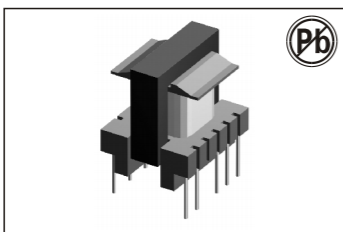


Note: PIN 3 Removed, PCB Drilling Diameter = 1.1mm

PHYSICAL CHARACTERISTICS



All dimensions in mm



POWER FERRITE TRANSFORMERS 1-9W E16-SINGLE OUTPUT TRANSFORMER FOR TINYSWITCHES T 74094, 74095 SERIES

FEATURES:

- Primary / Secondary Insulation \geq 4000V
- Creepage distances Primary / secondary \geq 6mm

OPTIONS:

- Bulk packaging is standard
- Custom design available

COMMON APPLICATIONS:

- AC-DC converters
- DC-DC converters
- Switch Power supplies
- SMPS: Flyback, Forward and Push-pull
- SMPS: Half Bridge and Full Bridge

ELECTRICAL CHARACTERISTICS

74094				
Control IC Manufacturer	Control IC P/N	Input voltage	Power	Frequency
Power Integrations	TNY255	85 – 265 Vrms	4.2 w	44 kHz
Power Integrations	TNY264	85 – 265 Vrms	5 w	132 kHz
Power Integrations	TNY266	85 – 265 Vrms	9 w	132 kHz

74095				
Control IC Manufacturer	Control IC P/N	Input voltage	Power	Frequency
Power Integrations	TNY255	85 – 265 Vrms	5 w	44 kHz
Power Integrations	TNY264	85 – 265 Vrms	5 w	132 kHz
Power Integrations	TNY266	85 – 265 Vrms	9 w	132 kHz

SIZE E16 – SINGLE OUTPUT : 5 or 12V TRANSFORMER FOR TINYSWITCH

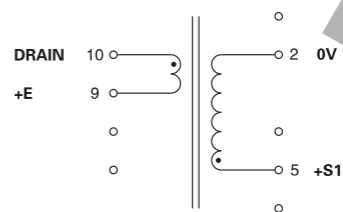
Part Number	Output Power max	Windings					Inductance (+/-10%)
			Pins	Turns	Voltage	Current max	
T 74094	9w	Pri	10-9	135	55-100 (VOR)	0.48 Apeak	2100 μ H
		S1	5-2	9	3.3-6 Vdc	1.5 Adc	
T 74095	9w	Pri	10-9	135	65-125 (VOR)	0.48 Apeak	2100 μ H
		S1	5-2	17	7.5 – 15 Vdc	0.9 Adc	

Note: Regulation with auxiliary winding

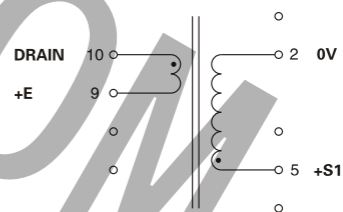
TECHNICAL INFORMATION

- Ambient temperature < 60°C
- Construction conforms to CEI950, CEI335, CEI61558 for reinforced insulation
- Exclusively uses UL94-VO listed materials

T 74094

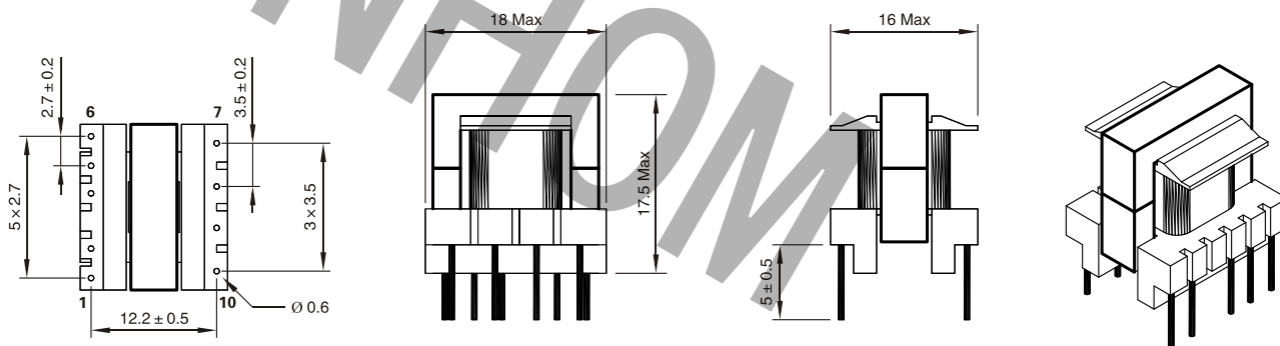


T 74095



Note: PIN 3 Removed, PCB Drilling Diameter = 1.1mm

PHYSICAL CHARACTERISTICS



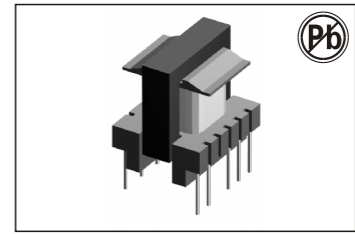
All dimensions in mm

POWER FERRITE TRANSFORMERS

6-12W E16 - 2 OUTPUT

FLYBACK TRANSFORMERS

T 74010 SERIES



FEATURES:

- Primary / Secondary Insulation \geq 4000V
- Primary Auxiliary Insulation \geq 1500V
- Creepage distances Primary / secondary \geq 6mm

OPTIONS:

- Bulk packaging is standard
- Custom design available

COMMON APPLICATIONS:

- AC-DC converters
- DC-DC converters
- Switch Power supplies
- SMPS: Flyback, Forward and Push-pull
- SMPS: Half Bridge and Full Bridge

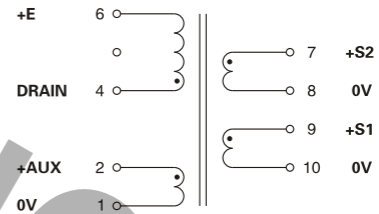
ELECTRICAL CHARACTERISTICS

Control IC Manufacturer	Control IC P/N	Input voltage	Power	Frequency
Fairchild	KA5H0165RN	185 - 265 Vrms	10 w	100 kHz
Fairchild	KA5L0165R	85 - 265 Vrms	7 w	50 kHz
Infineon	TDA16831	92 - 265 Vrms	7.5 w	100 kHz
Infineon	TDA16831	185 - 265 Vrms	10 w	100 kHz
Motorola	MC33369	85 - 265 Vrms	8 w	100 kHz
Motorola	MC33369	185 - 265 Vrms	10 w	100 kHz
Power Integrations	TNY267	185 - 265 Vrms	12 w	132 kHz
Power Integrations	TOP242P	85 - 265 Vrms	10 w	132 kHz
Power Integrations	TOP242P	185 - 265 Vrms </td <td>12 w</td> <td>132 kHz</td>	12 w	132 kHz
Power Integrations	TOP242P	85 - 265 Vrms	10 w	132 kHz
ST Microelectronics	VIPer20	85 - 265 Vrms	8 w	70 kHz
ST Microelectronics	VIPer20	185 - 265 Vrms	10 w	70 kHz

TECHNICAL INFORMATION

- Ambient temperature $<$ 50°C
- Construction conforms to CEI950, CEI335, CEI61558 for reinforced insulation
- Exclusively uses UL94-VO listed materials

T 74010



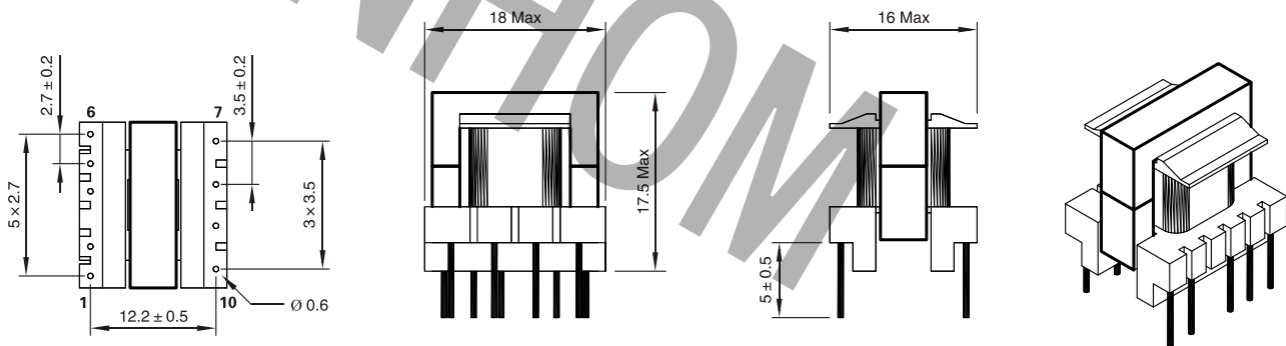
SIZE E16 - 2 OUTPUTS : 5 & 12V - FLYBACK TRANSFORMER

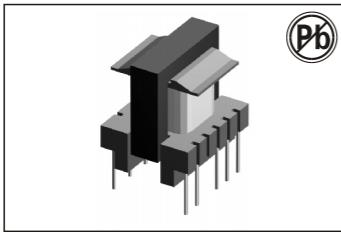
Part Number	Output Power max	Windings					Inductance (+/-10%)
			Pins	Turns	Voltage	Current max	
T 74010	12 w	Pri	4-6	120	60-125 (VOR)	0.55 Apeak	1660 μ H
		Aux	2-1	14	7-14 Vdc	0.1 Adc	
		S1	9-10	7	3.3-7 Vdc	2 Adc	
		S2	7-8	17	8-17 Vdc	1 Adc	

Note: Regulation with auxiliary winding

Note: PIN 3 Removed, PCB Drilling Diameter = 1.1mm

PHYSICAL CHARACTERISTICS





POWER FERRITE TRANSFORMERS

6-12W E16 - 2 OUTPUT FLYBACK TRANSFORMERS

T 74014 SERIES

FEATURES:

- Primary / Secondary Insulation \geq 4000V
- Primary Auxiliary Insulation \geq 1500V
- Creepage distances Primary / secondary \geq 6mm

OPTIONS:

- Bulk packaging is standard
- Custom design available

COMMON APPLICATIONS:

- AC-DC converters
- DC-DC converters
- Switch Power supplies
- SMPS: Flyback, Forward and Push-pull
- SMPS: Half Bridge and Full Bridge

ELECTRICAL CHARACTERISTICS

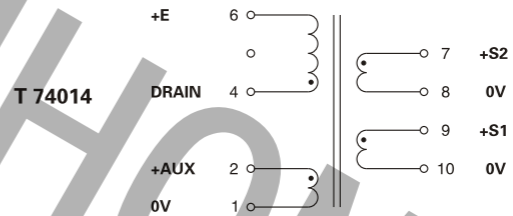
Control IC Manufacturer	Control IC P/N	Input voltage	Power	Frequency
Power Integrations	TNY266	185 – 265 Vrms	12 w	132 kHz
Power Integrations	TNY266	85 – 265 Vrms	8 w	132 kHz
Power Integrations	TNY242P	185 – 265 Vrms	12 w	132 kHz
Power Integrations	TNY242P	85 – 265 Vrms	8 w	132 kHz

TECHNICAL INFORMATION

- Ambient temperature $<$ 50°C
- Construction conforms to CEI950, CEI335, CEI61558 for reinforced insulation
- Exclusively uses UL94-VO listed materials
- Typical outputs : + 24V 0.5A with S1 – S2 in parallel
- + 48V 0.25A with S1 – S2 in series (8-9 connected)
- +15V / -15V 0.4A with pins 8-9 connected to 0V

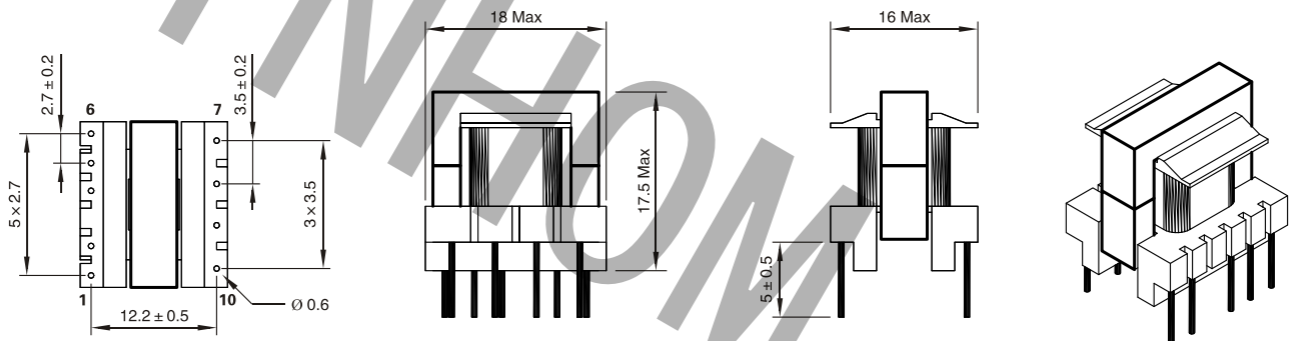
SIZE E16 - 2 OUTPUTS : 5 & 12V - FLYBACK TRANSFORMER							
Part Number	Output Power max	Windings					
			Pins	Turns	Voltage	Current max	Inductance (+/-10%)
T 74014	12 w	Pri	4-6	120	70-140 (VOR)	0.5 Apeak	
		Aux	2-1	14	9-18 Vdc	0.2 Adc	
		S1	9-10	27	15-30 Vdc	0.4 Adc	
		S2	7-8	27	15-30 Vdc	0.4 Adc	

Note: Regulation with auxiliary winding



Note: PIN 3 Removed, PCB Drilling Diameter = 1.1mm

PHYSICAL CHARACTERISTICS

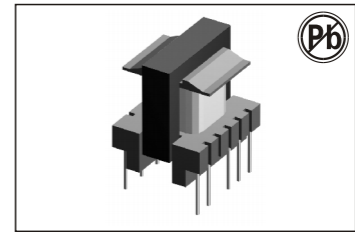


All dimensions in mm

POWER FERRITE TRANSFORMERS

6-12W E16 - 3 OUTPUT FLYBACK TRANSFORMERS

T 74015 SERIES



FEATURES:

- Primary / Secondary Insulation $\geq 4000V$
- Primary Auxiliary Insulation $\geq 1500V$
- Creepage distances Primary / secondary $\geq 6mm$

OPTIONS:

- Bulk packaging is standard
- Custom design available

COMMON APPLICATIONS:

- AC-DC converters
- DC-DC converters
- Switch Power supplies
- SMPS: Flyback, Forward and Push-pull
- SMPS: Half Bridge and Full Bridge

ELECTRICAL CHARACTERISTICS

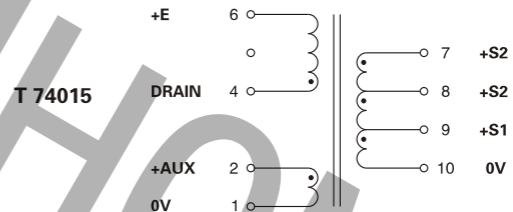
Control IC Manufacturer	Control IC P/N	Input voltage	Power	Frequency
Power Integrations	TNY266	185 - 265 Vrms	10 w	132 kHz
Power Integrations	TNY266	85 - 265 Vrms	8 w	132 kHz
Power Integrations	TOP242P	185 - 265 Vrms	12 w	132 kHz
Power Integrations	TOP242P	85 - 265 Vrms	9 w	132 kHz

TECHNICAL INFORMATION

- Ambient temperature $< 50^{\circ}C$
- Construction conforms to CEI950, CEI335, CEI61558 for reinforced insulation
- Exclusively uses UL94-VO listed materials

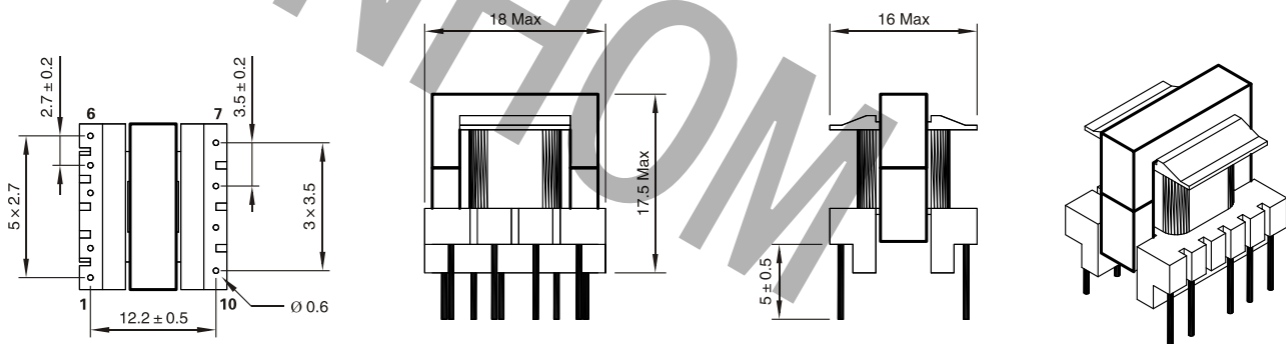
SIZE E16 - 2 OUTPUTS : 5 & 12V - FLYBACK TRANSFORMER							
Part Number	Output Power max	Windings					Inductance (+/-10%)
			Pins	Turns	Voltage	Current max	
T 74015	12 w	Pri	4-6	120	110 (VOR)	0.5 Apeak	1800 μH
		Aux	2-1	14	12 Vdc	0.2 Adc	
		S1	9-10	6	5 Vdc	1.5 Adc	
		S2	8-10	17	15 Vdc	0.6 Adc	
		S3	7-10	27	24 Vdc	0.4 Adc	

Note: Regulation with auxiliary winding

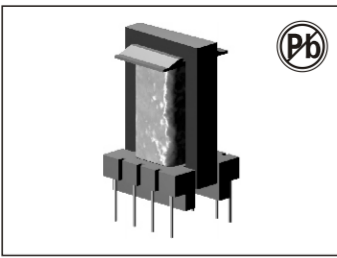


Note: PIN 3 Removed, PCB Drilling Diameter = 1.1mm

PHYSICAL CHARACTERISTICS



All dimensions in mm



POWER FERRITE TRANSFORMERS

10-18W EL19 - 2 OUTPUT FLYBACK TRANSFORMERS

T 74020 SERIES

FEATURES:

- Primary / Secondary Insulation \geq 4000V
- Primary Auxiliary Insulation \geq 1500V
- Creepage distances Primary / secondary \geq 6mm

OPTIONS:

- Bulk packaging is standard
- Custom design available

COMMON APPLICATIONS:

- AC-DC converters
- DC-DC converters
- Switch Power supplies
- SMPS: Flyback, Forward and Push-pull
- SMPS: Half Bridge and Full Bridge

ELECTRICAL CHARACTERISTICS

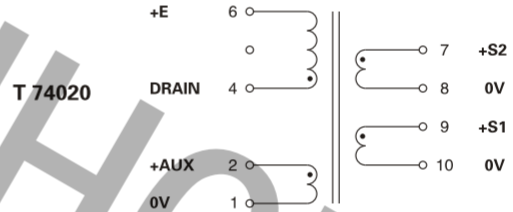
Control IC Manufacturer	Control IC P/N	Input voltage	Power	Frequency
Power Integrations	TNY268	185 – 265 Vrms	18 w	132 kHz
Power Integrations	TOP243P	185 – 265 Vrms	18 w	132 kHz
Power Integrations	TOP243P	85 – 265 Vrms	12 w	132 kHz
ST Microelectronics	VIPer20	85 – 265 Vrms	10 w	100 kHz
ST Microelectronics	VIPer20	185 – 265 Vrms	12 w	100 kHz
ST Microelectronics	VIPer50	185 – 265 Vrms	16 w	100 kHz
Motorola	MC33370	185 – 265 Vrms	16 w	100 kHz
Infineon	TDA16832	185 – 265 Vrms	16 w	70 kHz

TECHNICAL INFORMATION

- Ambient temperature $<$ 50°C
- Construction conforms to CEI 950, CEI 335, CEI 61558 for reinforced insulation
- Exclusively uses UL94-VO listed materials

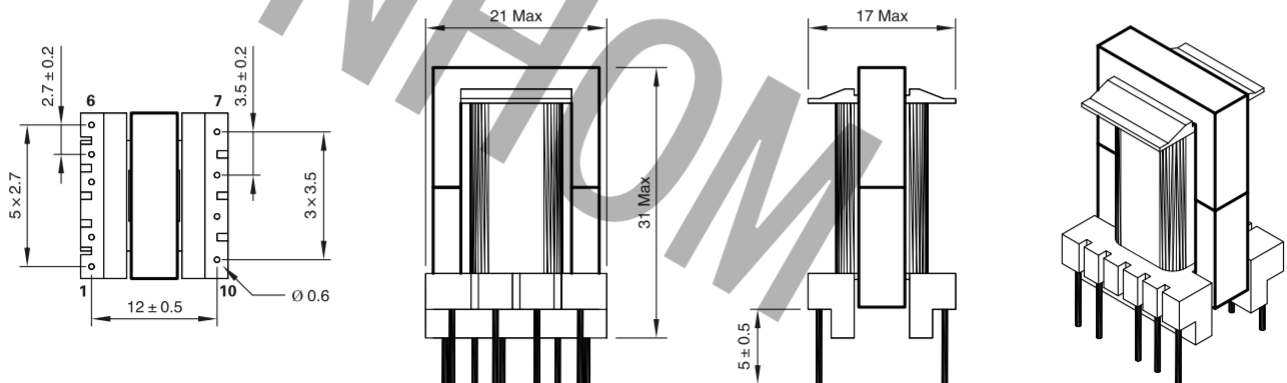
SIZE EL19 – 2 OUTPUTS : 5 & 12V – FLYBACK TRANSFORMER							
Part Number	Output Power max	Windings					
			Pins	Turns	Voltage	Current max	Inductance (+/-10%)
T 74020	18 w	Pri	4-6	108	65-130 (VOR)	0.8 Apeak	
		Aux	2-1	12	7-14 Vdc	0.1 Adc	
		S1	9-10	6	3.3-7 Vdc	3 Adc	
		S2	7-8	14	8-16.5 Vdc	1.4 Adc	

Note: Regulation with auxiliary winding



Note: PIN 3 Removed, PCB Drilling Diameter = 1.1mm

PHYSICAL CHARACTERISTICS

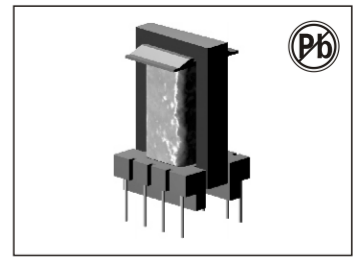


Note: All dimensions in mm

POWER FERRITE TRANSFORMERS

10-18W EL19 - 2 OUTPUT FLYBACK TRANSFORMERS

T 74021 SERIES



FEATURES:

- Primary / Secondary Insulation \geq 4000V
- Primary Auxiliary Insulation \geq 1500V
- Creepage distances Primary / secondary \geq 6mm

OPTIONS:

- Bulk packaging is standard
- Custom design available

COMMON APPLICATIONS:

- AC-DC converters
- DC-DC converters
- Switch Power supplies
- SMPS: Flyback, Forward and Push-pull
- SMPS: Half Bridge and Full Bridge

ELECTRICAL CHARACTERISTICS

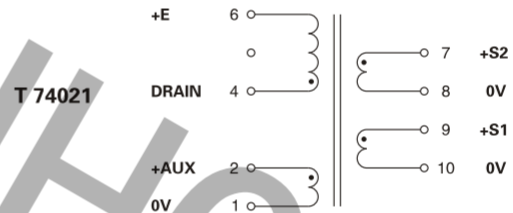
Control IC Manufacturer	Control IC P/N	Input voltage	Power	Frequency
Power Integrations	TOP243Y	185 - 265 Vrms	18 w	132 kHz
Power Integrations	TOP243Y	85 - 265 Vrms	12 w	66 or 132 kHz
ST Microelectronics	VIPer50	85 - 265 Vrms	13 w	70 kHz
Motorola	MC33370	85 - 265 Vrms	13 w	100 kHz
Infineon	TDA16831	92 - 265 Vrms	10 w	100 kHz

TECHNICAL INFORMATION

- Ambient temperature $<$ 50°C
- Construction conforms to CEI 950, CEI 335, CEI 61558 for reinforced insulation
- Exclusively uses UL94-VO listed materials

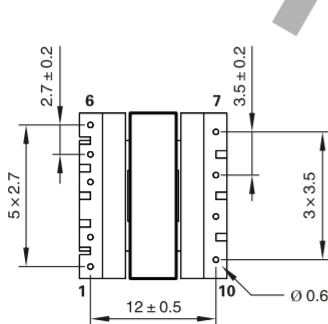
SIZE EL19 - 2 OUTPUTS : 5 & 12V - FLYBACK TRANSFORMER							
Part Number	Output Power max	Windings					
		Pins	Turns	Voltage	Current max	Inductance (+/-10%)	
T 74021	18 w	Pri	4-6	108	65-130 (VOR)	1.1 Apeak	900 μ H
		Aux	2-1	12	7-14 Vdc	0.1 Adc	
		S1	9-10	6	3.3-7 Vdc	3 Adc	
		S2	7-8	14	8-16.5 Vdc	1.4 Adc	

Note: Regulation with auxiliary winding

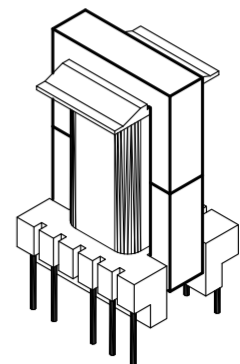
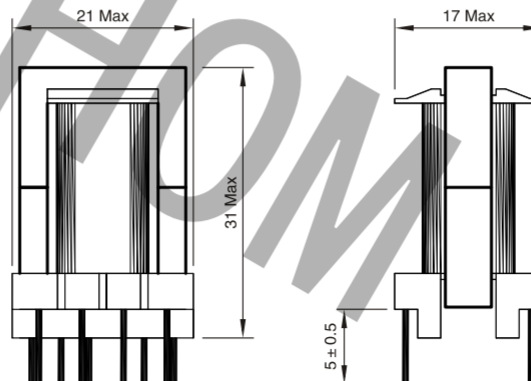


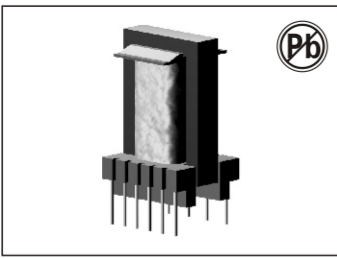
Note: PIN 3 Removed, PCB Drilling Diameter = 1.1mm

PHYSICAL CHARACTERISTICS



Note: All dimensions in mm





POWER FERRITE TRANSFORMERS

10-18W EL19 - 5 OUTPUT FLYBACK TRANSFORMERS

T 74023 SERIES

FEATURES:

- Primary / Secondary Insulation \geq 4000V
- Primary Auxiliary Insulation \geq 1500V
- Creepage distances Primary / secondary \geq 6mm

OPTIONS:

- Bulk packaging is standard
- Custom design available

COMMON APPLICATIONS:

- AC-DC converters
- DC-DC converters
- Switch Power supplies
- SMPS: Flyback, Forward and Push-pull
- SMPS: Half Bridge and Full Bridge

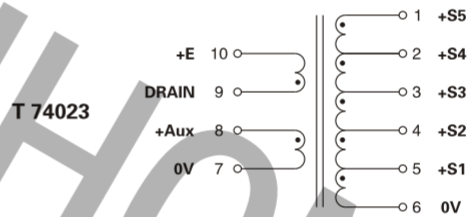
ELECTRICAL CHARACTERISTICS

Control IC Manufacturer	Control IC P/N	Input voltage	Power	Frequency
Power Integrations	TOP243P	185 – 265 Vrms	16 w	132 kHz
Power Integrations	TOP243P	85 – 265 Vrms	12 w	132 kHz

TECHNICAL INFORMATION

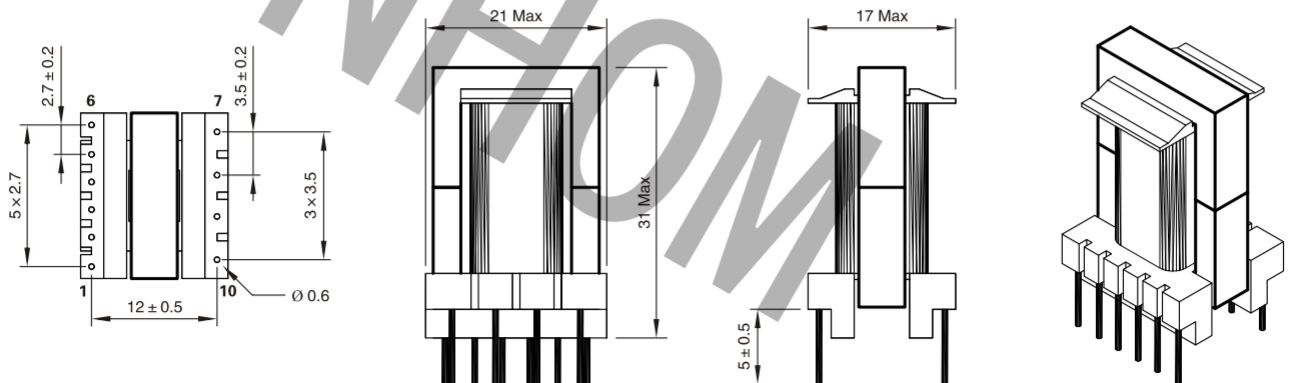
- Ambient temperature $<$ 60°C
- Construction conforms to CEI 950, CEI 335, CEI 61558 for reinforced insulation
- Exclusively uses UL94-VO listed materials

SIZE EL19 - 5 OUTPUTS : 3.3/5/12/18/30v - FLYBACK TRANSFORMER							
Part Number	Output Power max	Windings					
			Pins	Turns	Voltage	Current max	Inductance (+/-10%)
T 74023	16 w	Pri	9-10	120	110 (VOR)	0.85 Apeak	
		Aux	8-7	17	15 Vdc	0.2 Adc	
		S1	5-6	4	3.3 Vdc	2 Adc	
		S2	4-6	6	5 Vdc	Sum S1+S2	
		S3	3-6	14	12 Vdc	0.8 Adc	
		S4	2-6	20	18 Vdc	0.8 Adc	
		S5	1-6	33	30 Vdc	0.2 Adc	



Note: PCB Drilling Diameter = 1.1mm

PHYSICAL CHARACTERISTICS

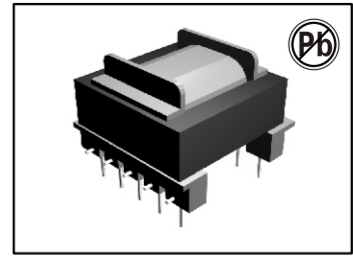


Note: All dimensions in mm

POWER FERRITE TRANSFORMERS

12-24W EF20 - 2 OUTPUT FLYBACK TRANSFORMERS

T 74080, 74082 SERIES



FEATURES:

- Primary / Secondary Insulation $\geq 4000V$
- Primary Auxiliary Insulation $\geq 1500V$
- Creepage distances Primary / secondary $\geq 8mm$

OPTIONS:

- Bulk packaging is standard
- Custom design available

COMMON APPLICATIONS:

- AC-DC converters
- DC-DC converters
- Switch Power supplies
- SMPS: Flyback, Forward and Push-pull
- SMPS: Half Bridge and Full Bridge

ELECTRICAL CHARACTERISTICS

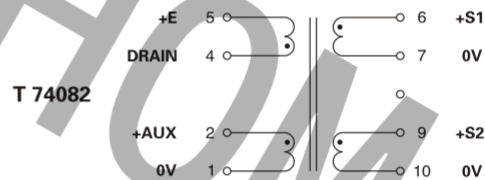
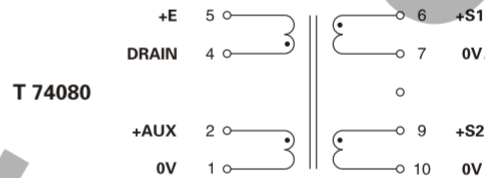
Part No.	Control IC Manufacturer	Control IC P/N	Input voltage	Power	Frequency
T 74080	Power Integrations	TOP243P	185-265 Vrms	24 w	132 kHz
	Power Integrations	TOP243P	85-265 Vrms	15 w	132 kHz
T 74082	Power Integrations	TNY268	185-265 Vrms	17 w	132 kHz
	Power Integrations	TOP243P	185-265 Vrms	20 w	132 kHz
	Power Integrations	TOP243P	85 - 265 Vrms	14 w	132 kHz

TECHNICAL INFORMATION

- Ambient temperature $< 50^{\circ}C$
- Construction conforms to CEI 950, CEI 335, CEI 61558 for reinforced insulation
- Exclusively uses UL94-VO listed materials

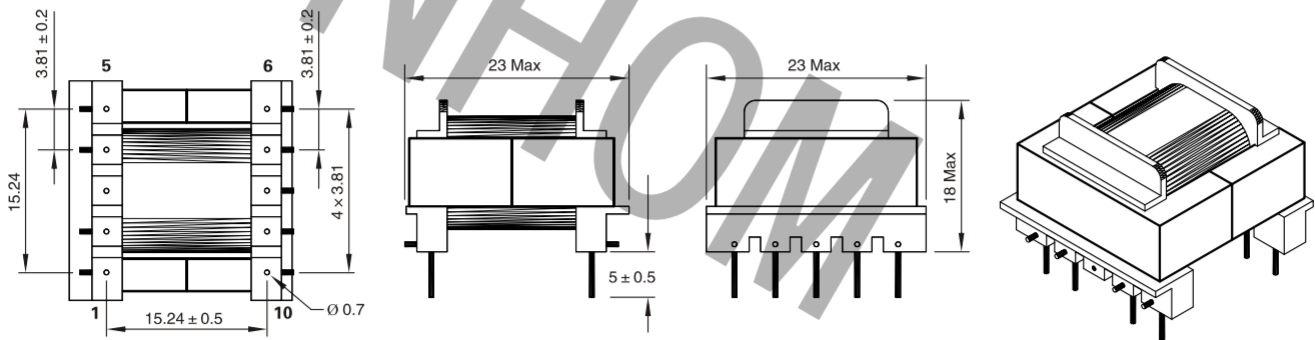
SIZE EF20 2 OUTPUTS : 5 /5v or 12/12v - FLYBACK TRANSFORMER							
Part Number	Output Power max	Windings					
			Pins	Turns	Voltage	Current max	Inductance (+/-10%)
T 74080	24 w	Pri	4-5	86	80-135 (VOR)	1.0 Apeak	
		Aux	2-1	12	11- 8 Vdc	0.3 Adc	
		S1	6-7	10	9- 5 Vdc	1.5 Adc	
		S2	9-10	10	9-15 Vdc	1.5 Adc	
T 74082	20 w	Pri	4-5	86	30-135 (VOR)	0.9 Apeak	1300 μ H
		Aux	2-1	12	7-18 Vdc	0.3 Adc	
		S1	6-7	5	3-7.5 Vdc	2.0 Adc	
		S2	9-10	5	3- 7.5 Vdc	2.0 Adc	

Note: S1 and S2 can be connected in series or in parallel

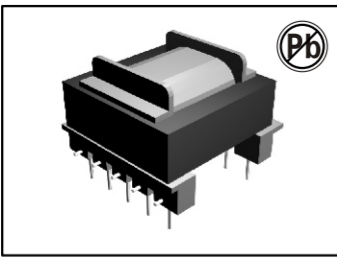


Note: PIN 3 Removed, PCB Drilling Diameter = 1.2mm

PHYSICAL CHARACTERISTICS



Note: All dimensions in mm



POWER FERRITE TRANSFORMERS

12-24W EF20 - 3 OUTPUT FLYBACK TRANSFORMERS

T 74081 SERIES

FEATURES:

- Primary / Secondary Insulation \geq 4000V
- Primary Auxiliary Insulation \geq 1500V
- Creepage distances Primary / secondary \geq 8mm

OPTIONS:

- Bulk packaging is standard
- Custom design available

COMMON APPLICATIONS:

- AC-DC converters
- DC-DC converters
- Switch Power supplies
- SMPS: Flyback, Forward and Push-pull
- SMPS: Half Bridge and Full Bridge

ELECTRICAL CHARACTERISTICS

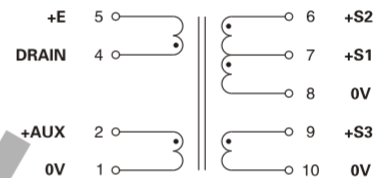
Part No.	Control IC Manufacturer	Control IC P/N	Input voltage	Power	Frequency
T 74081	Power Integrations	TOP243P	185-265 Vrms	20 w	132 kHz
	Power Integrations	TOP243P	85-265 Vrms	12 w	132 kHz

TECHNICAL INFORMATION

- Ambient temperature $<$ 50°C
- Construction conforms to CEI 950, CEI 335, CEI 61558 for reinforced insulation
- Exclusively uses UL94-VO listed materials

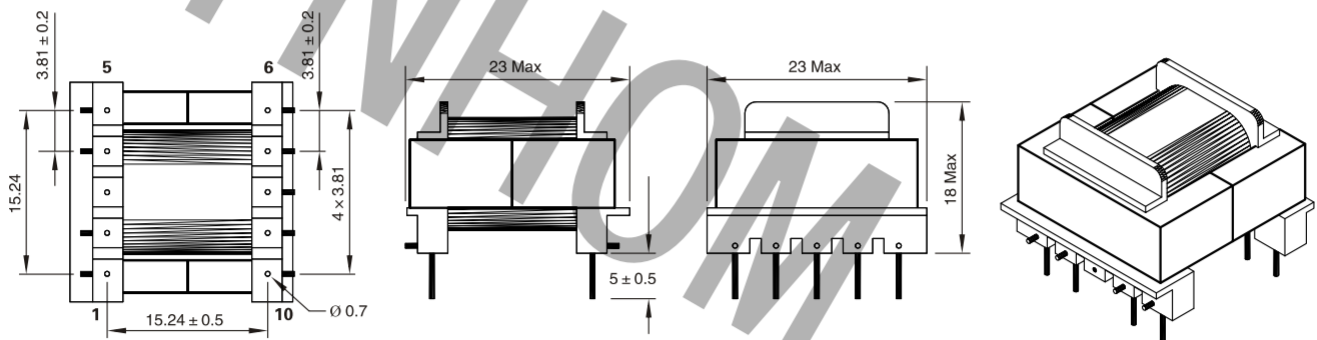
SIZE EF20 3 OUTPUTS : 5 /5v or 12/12v - FLYBACK TRANSFORMER							
Part Number	Output Power max	Windings					
			Pins	Turns	Voltage	Current max	Inductance (+/-10%)
T 74081	20 w	Pri	4-5	80	75 (VOR)	0.9 Apeak	
		Aux	2-1	17	15 Vdc	0.3 Adc	
		S1	7-8	4	3.3 Vdc	3 Adc	
		S2	6-8	6	5 Vdc	sum S1+S2	
		S3	9-10	14	12 Vdc	1.3 Adc	

T 74081



Note: PIN 3 Removed, PCB Drilling Diameter = 1.2mm

PHYSICAL CHARACTERISTICS

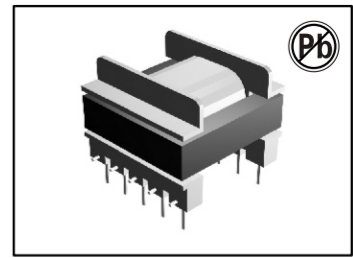


Note: All dimensions in mm

POWER FERRITE TRANSFORMERS

15-30W E25 - 3 or 1 OUTPUT FLYBACK TRANSFORMERS

T 74030, 74032 SERIES



FEATURES:

- Primary / Secondary Insulation $\geq 4000V$
- Primary Auxiliary Insulation $\geq 1500V$
- Creepage distances Primary / secondary $\geq 6mm$

OPTIONS:

- Bulk packaging is standard
- Custom design available

COMMON APPLICATIONS:

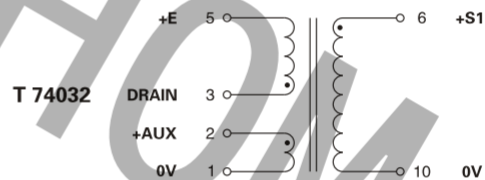
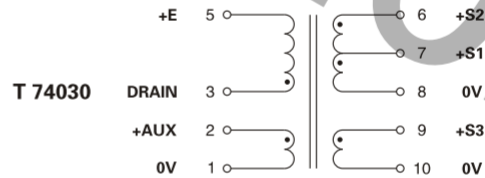
- AC-DC converters, • DC-DC converters
- Switch Power supplies
- SMPS: Flyback, Forward and Push-pull
- SMPS: Half Bridge and Full Bridge

ELECTRICAL CHARACTERISTICS

Part No.	Control IC Manufacturer	Control IC P/N	Input voltage	Power	Frequency
T 74030	Fairchild	KA1H0265R	85-265 Vrms	22 w	100 kHz
	Infineon	TDA16832	185-265 Vrms	30 w	100 kHz
	Motorola	MC33371	85-265 Vrms	22 w	100 kHz
	Motorola	MC33371	185-265 Vrms	30 w	100 kHz
	Power Integrations	TOP244P	185-265 Vrms	30 w	132 kHz
	Power Integrations	TOP244Y	85-265 Vrms	25 w	66 or 132kHz
	ST Microelectronics	VJPer50	85-265 Vrms	22 w	70 kHz
	ST Microelectronics	VJPer50	185- 65 Vrms	30 w	70 kHz
T 74032	Power Integrations	TOP244P	185-265 Vrms	25 w	132 kHz

TECHNICAL INFORMATION

- Ambient temperature $< 50^{\circ}C$
- Construction conforms to CEI 950, CEI 335, CEI 61558 for reinforced insulation
- Exclusively uses UL94-VO listed materials



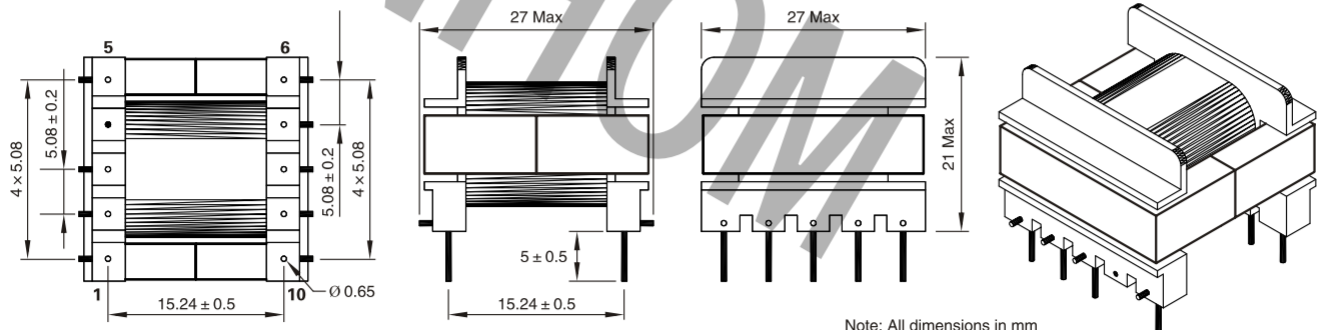
Note: PIN 4 Removed, PCB Drilling Diameter = 1.4mm

SIZE E25 - 3 or 1 OUTPUTS : 5 + 12/12v or 24v - FLYBACK TRANSFORMER

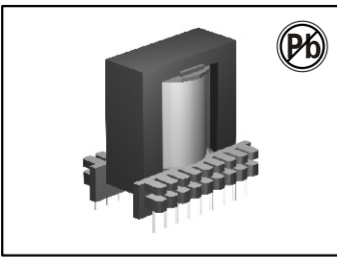
Part Number	Output Power max	Windings					Inductance (+/-10%)
			Pins	Turns	Voltage	Current max	
T 74030	30 w	Pri	3-5	70	65-130 (VOR)	1.5 Apeak	750 μ H
		Aux	2-1	8	7-14.5 Vdc	1 Adc	
		S1	7-8	4	3.3-7	3 Adc	
		S2	6-8	9	8-16 Vdc	1.5 Adc	
		S3	9-10	9	8-16 Vdc	1.5 Adc	
T 74032	35w	Pri	3-5	72	65-125 (VOR)	1.1 Apeak	1100 μ H
		Aux	2-1	10	8-16 Vdc	1 Adc	
		S1	6-10	18	15-30 Vdc	1.4 Adc	

Note to 74030 : S2 and S3 can be connected in series or in parallel

PHYSICAL CHARACTERISTICS



Note: All dimensions in mm



POWER FERRITE TRANSFORMERS 30-60W ERL28 - 4 OUTPUT FLYBACK TRANSFORMERS T 74043 SERIES

FEATURES:

- Primary / Secondary Insulation \geq 4000V
- Primary Auxiliary Insulation \geq 1500V
- Creepage distances Primary / secondary \geq 6mm

OPTIONS:

- Bulk packaging is standard
- Custom design available

COMMON APPLICATIONS:

- AC-DC converters
- DC-DC converters
- Switch Power supplies
- SMPS: Flyback, Forward and Push-pull
- SMPS: Half Bridge and Full Bridge

ELECTRICAL CHARACTERISTICS

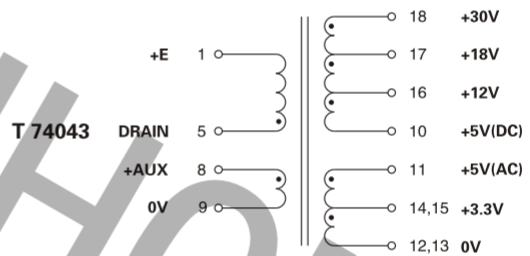
Control IC Manufacturer	Control IC P/N	Input voltage	Power	Frequency
Power Integrations	TOP246Y	185 - 265 Vrms	60 w	66 or 132 kHz
Power Integrations	TOP246Y	85 - 265 Vrms	45 w	66 or 132 kHz

TECHNICAL INFORMATION

- Ambient temperature $<$ 50°C
- Construction conforms to CEI 950, CEI 335, CEI 61558 for reinforced insulation
- Exclusively uses UL94-VO listed materials

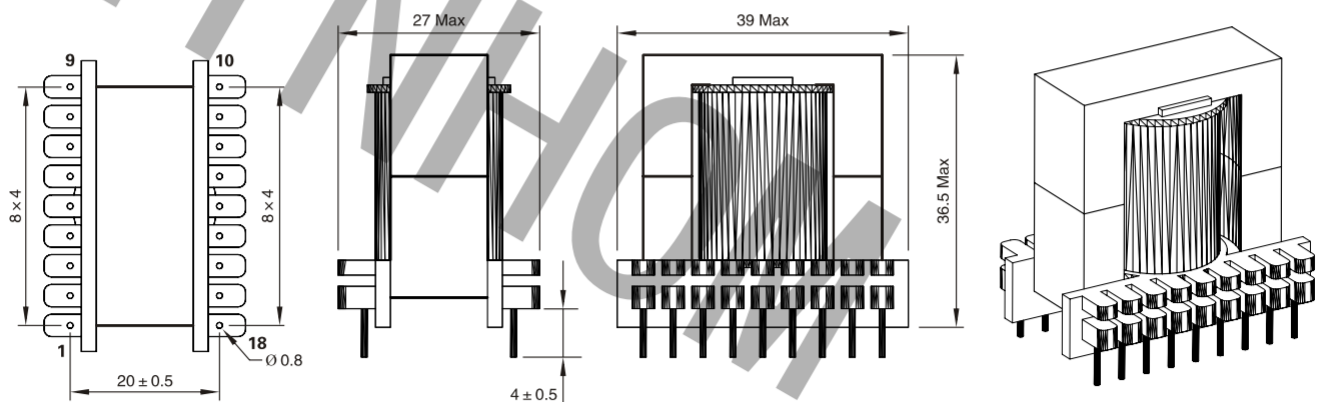
SIZE ETD29 - 4 OUTPUTS : 5 + 12/5 + 12v - FLYBACK TRANSFORMER

Part Number	Output Power max	Windings					
		Pins	Turns	Voltage	Current max	Inductance (+/-10%)	
T 74043	60w	Pri	5-1	45	90 (VOR)	3Apeak	500 μ H
		Aux	8-9	7	15 Vdc	0.5 Adc	
		S1	14+15/12+13	2	3.3 Vdc	7 Adc	
		S2	11/12+13	3	5 Vdc	sum S1+S2	
		S3	16-10	4	12 Vdc	2 Adc	
		S4	17-10	7	18 Vdc	2 Adc	
		S5	18-10	13	30 Vdc	0.5 Adc	



PCB Drilling Diameter = 1.3mm

PHYSICAL CHARACTERISTICS

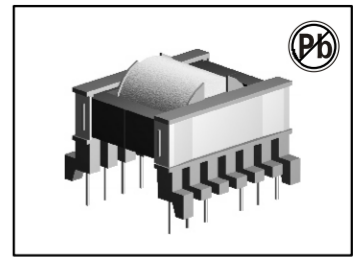


Note: All dimensions in mm

POWER FERRITE TRANSFORMERS

60-90W ETD34 - 4 OUTPUT FLYBACK TRANSFORMERS

T 74050 SERIES



FEATURES:

- Primary / Secondary Insulation $\geq 4000V$
- Primary Auxiliary Insulation $\geq 1500V$
- Creepage distances Primary / secondary $\geq 8mm$

OPTIONS:

- Bulk packaging is standard
- Custom design available

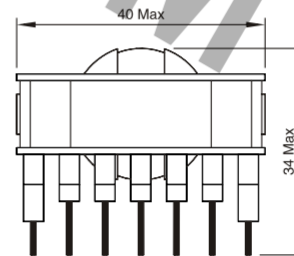
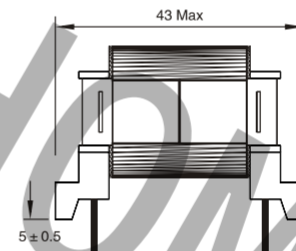
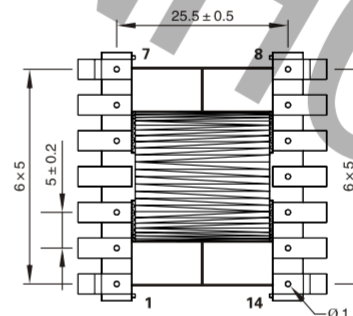
COMMON APPLICATIONS:

- AC-DC converters
- DC-DC converters
- Switch Power supplies
- SMPS: Flyback, Forward and Push-pull
- SMPS: Half Bridge and Full Bridge

ELECTRICAL CHARACTERISTICS

Control IC Manufacturer	Control IC P/N	Input voltage	Power	Frequency
Infineon	TDA16834	185-265 Vrms	80 w	100 kHz
Infineon	TDA16836	85-265 Vrms	60 w	100 kHz
Motorola	MC33373	185-265 Vrms	80 w	100 kHz
Motorola	MC33373	85-265 Vrms	60 w	100 kHz
Power Integrations	TOP246Y	185-265 Vrms	90 w	132 kHz
Power Integrations	TOP246Y	85-265 Vrms	60 w	66 or 132 kHz
ST Microelectronics	VIPer100A	185-265 Vrms	80 w	70 kHz
ST Microelectronics	VIPer100A	85-265 Vrms	60 w	70 kHz

PHYSICAL CHARACTERISTICS

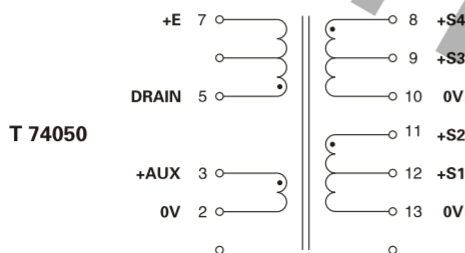


SIZE ETD34 - 4 OUTPUTS : 5 + 12/12v - FLYBACK TRANSFORMER							
Part Number	Output Power max	Windings					
		Pins	Turns	Voltage	Current max	Inductance (+/-10%)	
T 74050	90w	Pri	5-7	36	65-125(VOR)	2.8 Apeak	500 μ H
		Aux	3-2	4	7-14 Vdc	0.5 Adc	
		S1	12-13	2	3.3-6.5	5 Adc	
		S2	11-13	5	8.5-17 Vdc	3 Adc	
		S3	9-10	2	3.3-6.5	5 Adc	
		S4	8-10	5	8.5-17 Vdc	3 Adc	

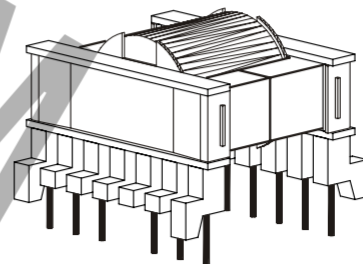
Note : S1/S3 or S2/S4 can be connected in series or in parallel

TECHNICAL INFORMATION

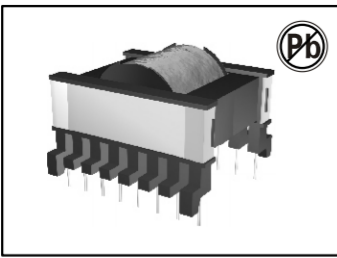
- Ambient temperature $< 50^{\circ}C$
- Construction conforms to CEI 950, CEI 335, CEI 61558 for reinforced insulation
- Exclusively uses UL94-VO listed materials



Note: PIN 4 Removed, PCB Drilling Diameter = 1.5mm



Note: All dimensions in mm



POWER FERRITE TRANSFORMERS 70-140W ETD39 - 4 OUTPUT FLYBACK TRANSFORMERS T 74060 SERIES

FEATURES:

- Primary / Secondary Insulation $\geq 4000V$
- Primary Auxiliary Insulation $\geq 1500V$
- Creepage distances Primary / secondary $\geq 8mm$

OPTIONS:

- Bulk packaging is standard
- Custom design available

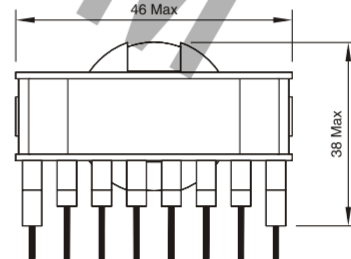
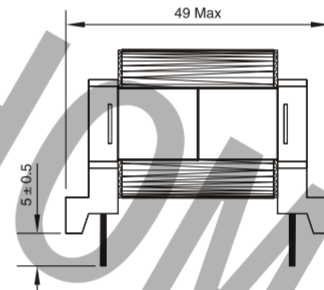
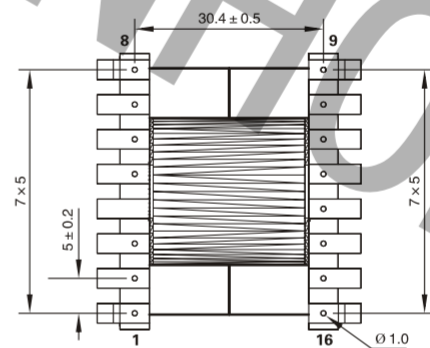
COMMON APPLICATIONS:

- AC-DC converters
- DC-DC converters
- Switch Power supplies
- SMPS: Flyback, Forward and Push-pull
- SMPS: Half Bridge and Full Bridge

ELECTRICAL CHARACTERISTICS

Control IC Manufacturer	Control IC P/N	Input voltage	Power	Frequency
Fairchild	KA1H0565R	85-265 Vrms	70 w	100 kHz
Fairchild	KA1H0565R	185-265 Vrms	120 w	100 kHz
Infineon	TDA16836	85-265 Vrms	70 w	100 kHz
Infineon	TDA16836	185-265 Vrms	120 w	100 kHz
Motorola	MC33374	85-265 Vrms	70 w	100 kHz
Motorola	MC33374	185-265 Vrms	120 w	100 kHz
Power Integrations	TOP247Y	185-265 Vrms	140 w	132 kHz
Power Integrations	TOP247Y	85-265 Vrms	90 w	66 or 132 kHz
ST Microelectronics	VIPer100A	85-265 Vrms	70 w	70 kHz
ST Microelectronics	VIPer100A	185-265 Vrms	120 w	100 kHz

PHYSICAL CHARACTERISTICS

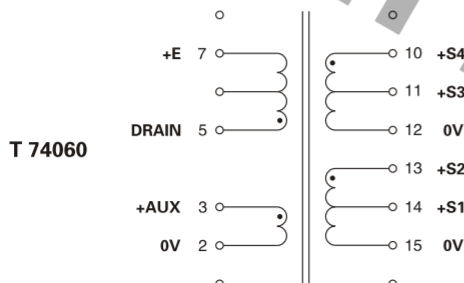


SIZE ETD39 - 4 OUTPUTS : 5 + 12/5 + 12v - FLYBACK TRANSFORMER							
Part Number	Output Power max	Windings					
		Pins	Turns	Voltage	Current max	Inductance (+/-10%)	
T 74060	90w	Pri	5-1	36	65-125 (VOR)	4 Apeak	440 μ H
		Aux	3-2	4	7-14 Vdc	0.5 Adc	
		S1	12-13	2	3.3-6.5	5 Adc	
		S2	11-13	5	8.5-17 Vdc	5 Adc	
		S3	9-10	2	12 Vdc	5 Adc	
		S4	5-10	5	18 Vdc	5 Adc	

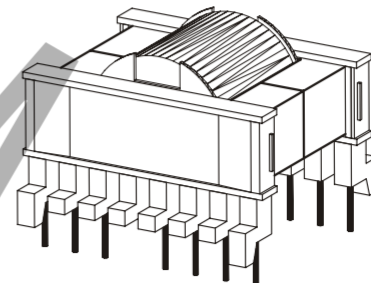
Note: S1/S3 or S2/S4 can be connected in series or in parallel.

TECHNICAL INFORMATION

- Ambient temperature $< 50^{\circ}C$
- Construction conforms to CEI 950, CEI 335, CEI 61558 for reinforced insulation
- Exclusively uses UL94-VO listed materials



PIN 4 Removed, PCB Drilling Diameter = 1.5mm

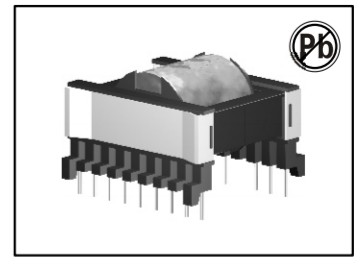


Note: All dimensions in mm

POWER FERRITE TRANSFORMERS

120-180W ETD44 - 4 OUTPUT FLYBACK TRANSFORMERS

T 74070 SERIES



FEATURES:

- Primary / Secondary Insulation $\geq 4000V$
- Primary Auxiliary Insulation $\geq 1500V$
- Creepage distances Primary / secondary $\geq 8mm$

OPTIONS:

- Bulk packaging is standard
- Custom design available

COMMON APPLICATIONS:

- AC-DC converters
- DC-DC converters
- Switch Power supplies
- SMPS: Flyback, Forward and Push-pull
- SMPS: Half Bridge and Full Bridge

ELECTRICAL CHARACTERISTICS

Control IC Manufacturer	Control IC P/N	Input voltage	Power	Frequency
Fairchild	KA2S0965	185-265Vrms	160 w	100 kHz
Infineon	TDA16837	185-265Vrms	160 w	100 kHz
Philips	TEA1566	185-265Vrms	120 w	50 kHz
Power Integrations	TOP248Y	185-265Vrms	180 w	66 or 132 kHz
Power Integrations	TOP249Y	85-265Vrms	120 w	66 kHz

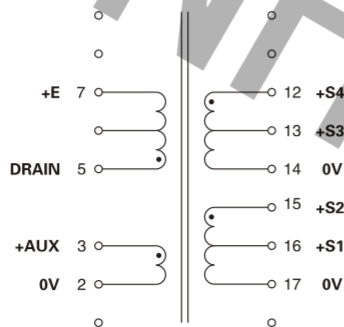
SIZE ETD44 - 4 OUTPUTS : 5 + 12 / 5 + 12v - FLYBACK TRANSFORMER

Part Number	Output Power max	Windings					Inductance (+/-10%)
			Pins	Turns	Voltage	Current max	
T 74070	180w	Pri	5-7	38	65-125(VOR)	8 Apeak	300 μ H
		Aux	3-2	4	7-14 Vdc	0.5 Adc	
		S1	16-17	2	3.3-6.5	6 Adc	
		S2	15-17	5	8.5-17 Vdc	5 Adc	
		S3	13-14	2	3.3-6.5	6 Adc	
		S4	12-14	5	8.5-17 Vdc	5 Adc	

Note : S1/S3 or S2/S4 can be connected in series or in parallel

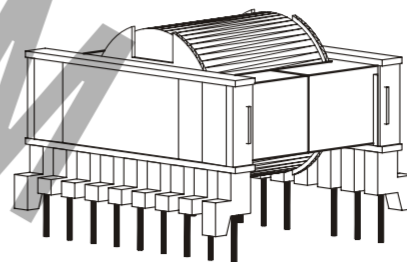
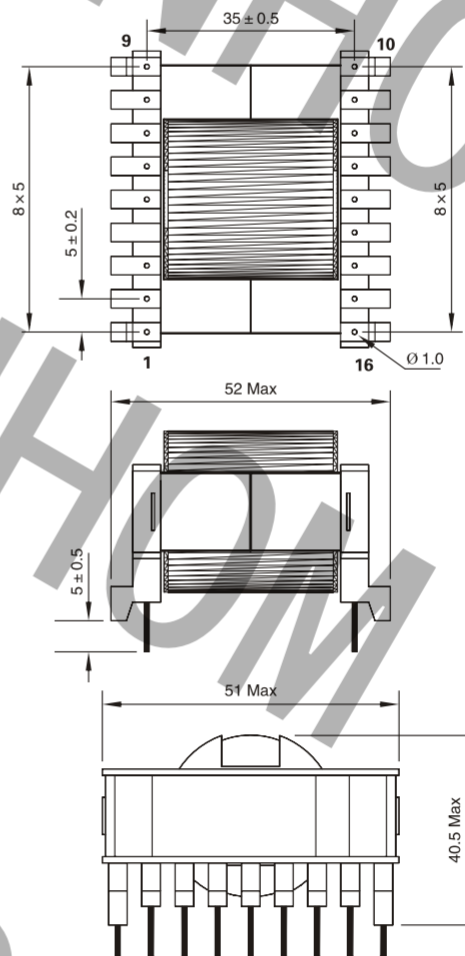
TECHNICAL INFORMATION

- Ambient temperature $< 50^{\circ}C$
- Construction conforms to CEI 950, CEI 335, CEI 61558 for reinforced insulation
- Exclusively uses UL94-VO listed materials



Note: PIN 4 Removed, PCB Drilling Diameter = 1.5mm

PHYSICAL CHARACTERISTICS



Note: All dimensions in mm