



SPECIFICATION FOR APPROVAL

CUSTOMER: 寧波閃諾

EVERCOOL MODEL NO: EC9225TH24E

CUSTOMER MODEL NO: EC9225TH24E

DESCRIPTION: DC24V FAN

APPROVED BY (AUTHORISED)	APPROVED
	Alex
	CHECKED
	Xiongwei
	DRAWN
	Chenjie
	SALES
	Serene

* Please confirm your acceptance by return fax or mail.

SPEC NO	ISSUE DATE	EDITION	REVISED DATE
20260403A04	2026/4/3	A0	2026/4/3

THE PRODUCTION ACCORD WITH EUROPE UNION ROHS STANDARD

EVERCOOL THERMAL CO., LTD

NO. 123-8, HSING DE RD., SAN-CHUNG CITY,
TAIPEI HSIEN, TAIWAN, R.O.C.

TEL: 886-2-8512-2889 FAX: 886-2-8512-2890

[URL:www.evercool.com.tw](http://www.evercool.com.tw)

[EMAIL: coolest@ms14.hinet.net](mailto:coolest@ms14.hinet.net)

I. GENERAL SPECIFICATION

Item	Specification
1.Part NO.	EC9225TH24E
2.Outline Dimension	92*92*25
3.Rated Voltage	24 VDC
4.Starting Voltage	12 VDC
5.Operating Voltage Range	12 VDC~ 26 VDC
6.Rated Current*	0.28 A
7.Rated Power Consumption*	6.72 W
8.Rated Speed*	3400RPM±10%
9.Max. Airflow**	67.47CFM(ft3/min)
10.Max. Static Pressure**	0.18In-H2O
11.Noise Level***	<30.8dB(A)
12.Life Expectancy	40000 hrs at 25°C
13.No of Polarity	4 Poles
14.Direction of Rotation	Counter-Clockwise

Noted:

***Input Current Speed Power Consumption**

Measured after continuous 30 minutes operation at rated voltage in free air at ambient temperature of 25 °C, 65% relative humidity

****Performance**

Measured with use of double chamber. The value are recorded when the fan speed is stabilized at rated voltage.

*****Noise Level**

Measured at rated voltage in a semi-anechoic chamber with background noise below than 20 dB(A). The measuring distance is in one meter from microphone to inlet of the fan.

II. ELECTRICAL SPECIFICATION

Item		Specification
1.Polarity Protection	✓ YES	Be capable of endurance when Vcc & GRD are exchanged
	NO	
2.Auto restart	✓ YES	Locked motor protection
	NO	
3.Insulation Resistance		10MΩ/b/w unshielded wire and frame at 500 VDC/min
4.Dielectric Strength		5Ma Max./Measured b/w lead wire and frame at 500VAC/min

III. MAIN MATERIALS / PARTS SPECIFICATION

Item		Specification				
1.Materials of Frame		Thermoplastic PBT of UL 94V-0(BK)				
2.Materials of Fan Blade						
3.Bobbin						
		Dual ball bearing				
		1 ball & 1 sleeve bearing				
		Sleeve bearing				
	✓	EL bearing				
5.Lead wire	✓	Red (+)	UL#	1007	26	AWG
	✓	Black (-)	UL#	1007	26	AWG
6.Connector		2510 2P				

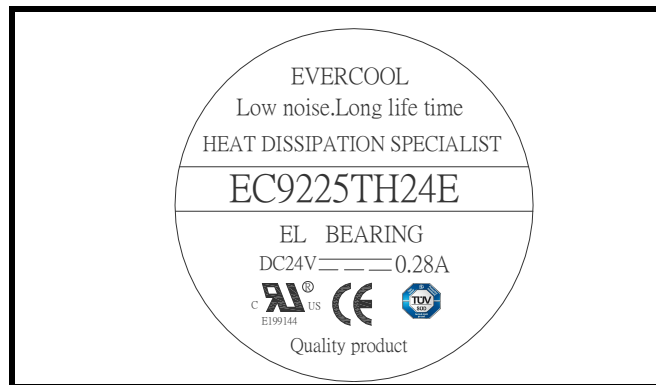
IV. ENVIRONMENT SPECIFICATION

Item	Specification
1.Operation Temperature	-10°C~+70°C/66%(RH), high / low temperature test for 24 hours, temperature change: 30°C/hours.
2.Storage Temperature	-40°C~+70°C/66%(RH), high / low temperature test for 24 hours, temperature change: 30°C/hours.

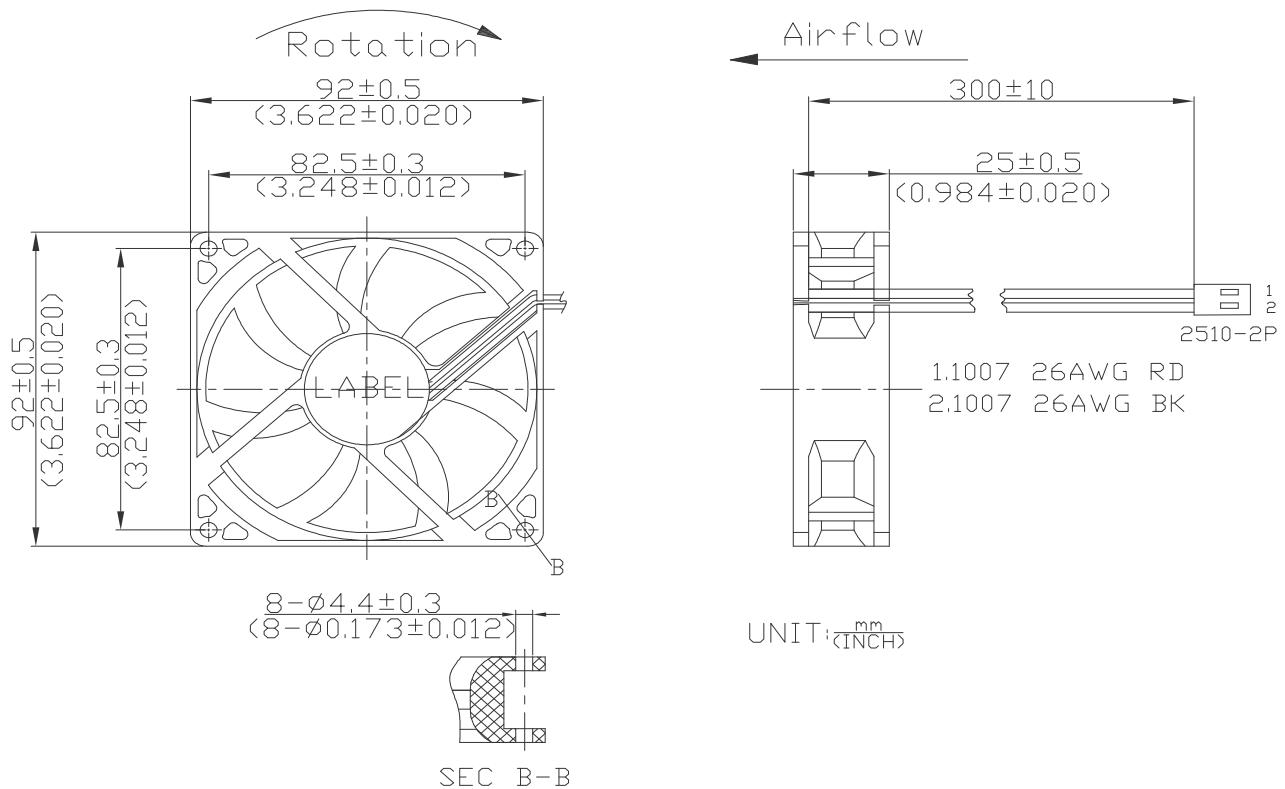
V. DROPPING TEST

Prepared in minimum packing condition, fan will withstand one drop each on three surfaces from 30 cm height onto a 10mm thick hard wooden board.

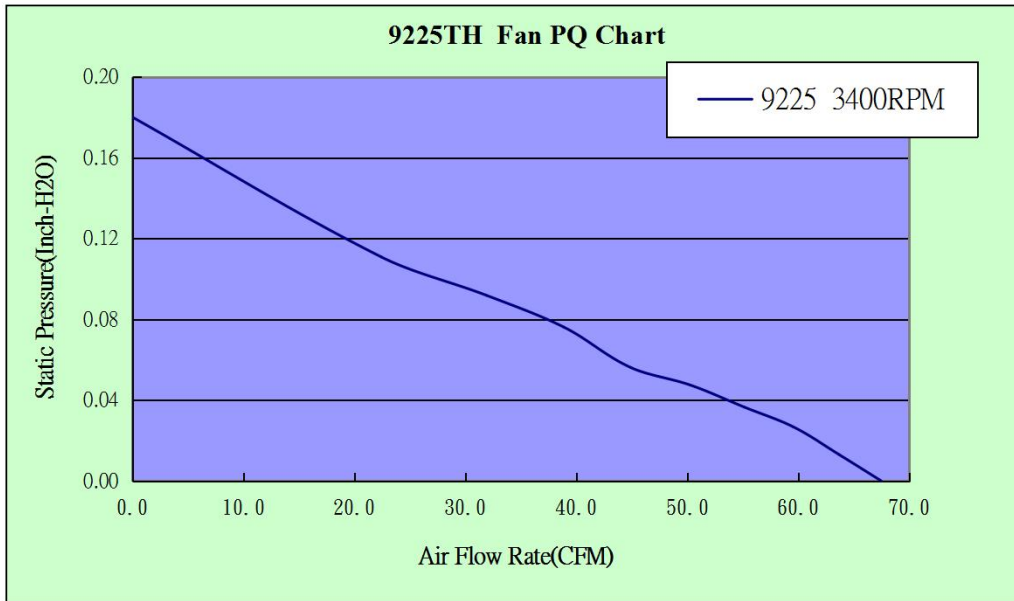
VI. LABEL MARKING



VII. OUTLINE DIMENSION



VIII. P/Q Performance



	Q(cfm)	Ps(InchH2o)
1	0.000	0.180
2	22.428	0.111
3	31.905	0.092
4	38.866	0.076
5	44.899	0.056
6	50.273	0.047
7	55.132	0.037
8	59.558	0.027
9	63.677	0.013
10	67.470	0.000