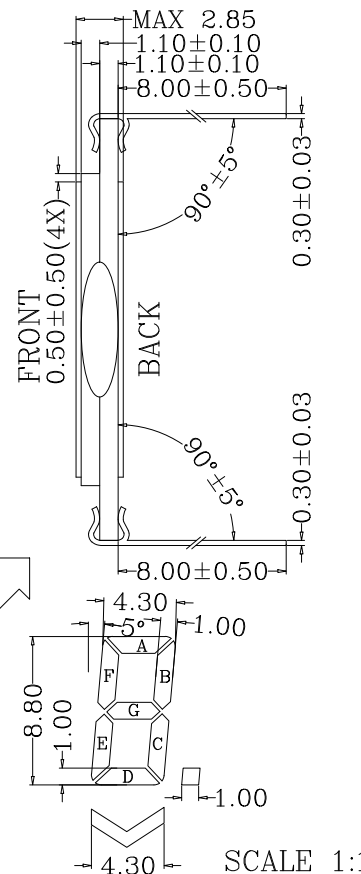
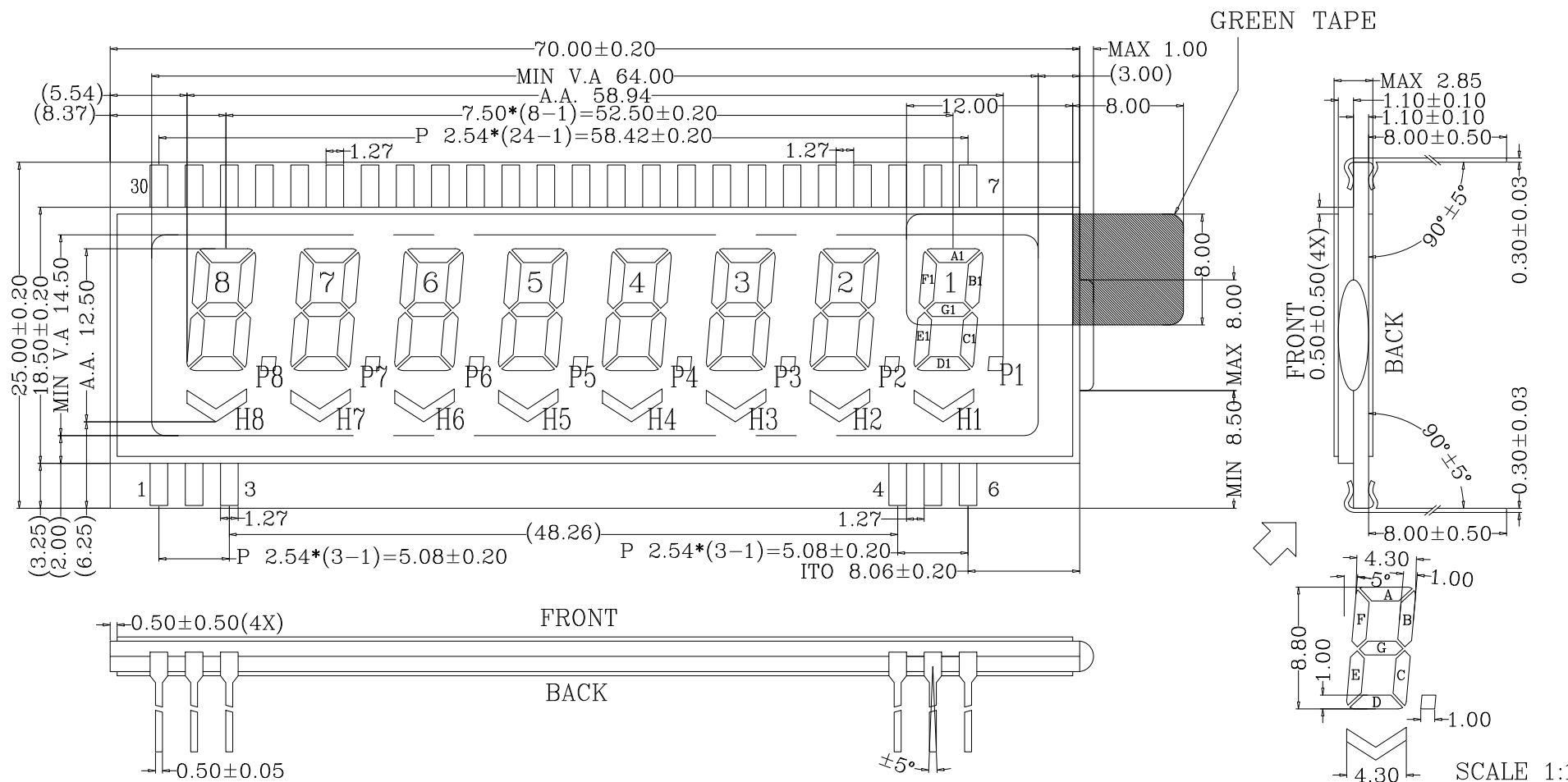


REV	DESCRIPTION:	DATE



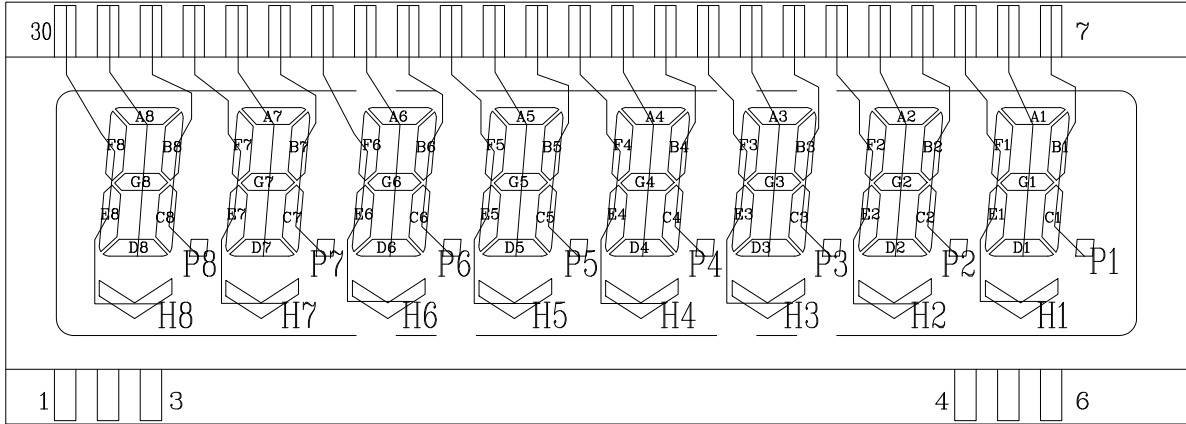
PIN	1	2	3	4	5	6	7	8	9	10	11	12	13	14	15	16	17	18	19	20	21	22	23	24	25	26	27	28	29	30
COM1	COM1	---	---	---	---	COM1	B1	A1	F1	B2	A2	F2	B3	A3	F3	B4	A4	F4	B5	A5	F5	B6	A6	F6	B7	A7	F7	B8	A8	F8
COM2	---	COM2	---	---	COM2	---	C1	G1	E1	C2	G2	E2	C3	G3	E3	C4	G4	E4	C5	G5	E5	C6	G6	E6	C7	G7	E7	C8	G8	E8
COM3	---	---	COM3	COM3	---	---	P1	D1	H1	P2	D2	H2	P3	D3	H3	P4	D4	H4	P5	D5	H5	P6	D6	H6	P7	D7	H7	P8	D8	H8

- NOTES:
- | | | | |
|---------------------------|----------------------|--|-------------------|
| 1. DISPLAY TYPE: | TN(GRAY) | 7. DRIVE MODE: | 1/3D,1/3B |
| 2. VIEWING DIRECTION: | 6:00 | 8. LCD OPERATING VOLTAGE: | VOP=3.3V,VDD=3.3V |
| 3. POLARIZER TYPE: | REFLECTIVE, POSITIVE | 9. CONNECTOR: | PIN |
| 4. Driver IC: | TBD | 10. INTERFACE: | TBD |
| 5. OPERATING TEMPERATURE: | -40°C~70°C | 11. BACKLIGHT: | TBD |
| 6. STORAGE TEMPERATURE: | -40°C~80°C | 12. CUSTOMER NO.: | FUTURE |
| | | 13. REQUIREMENT ON ENVIRONMENTAL PROTECTION: | RoHS |

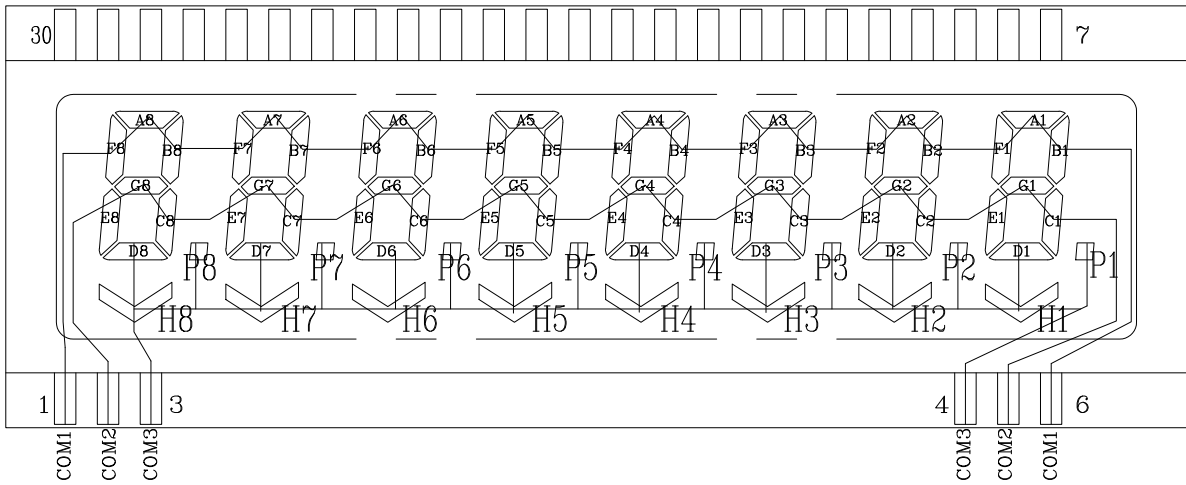


XIAMEN ESHINE DISPLAY.,LTD					
SCALE	MATERIAL	FINISH	MODEL	EDN0336-NBG	
OR NOT ON SCALE	N/A	N/A	NAME		
VERSION	TOLERANCE	NO.	UNIT	TITLE	
A	XX ±0.30 XX ±0.10	1/4	mm	LCM	
DATE	APPROVED	CHECKED	DRAWN	FILE NAME	
2026.04.22			LEE	E:\WORK\LCD	

REV	DESCRIPTION:	DATE




SEG



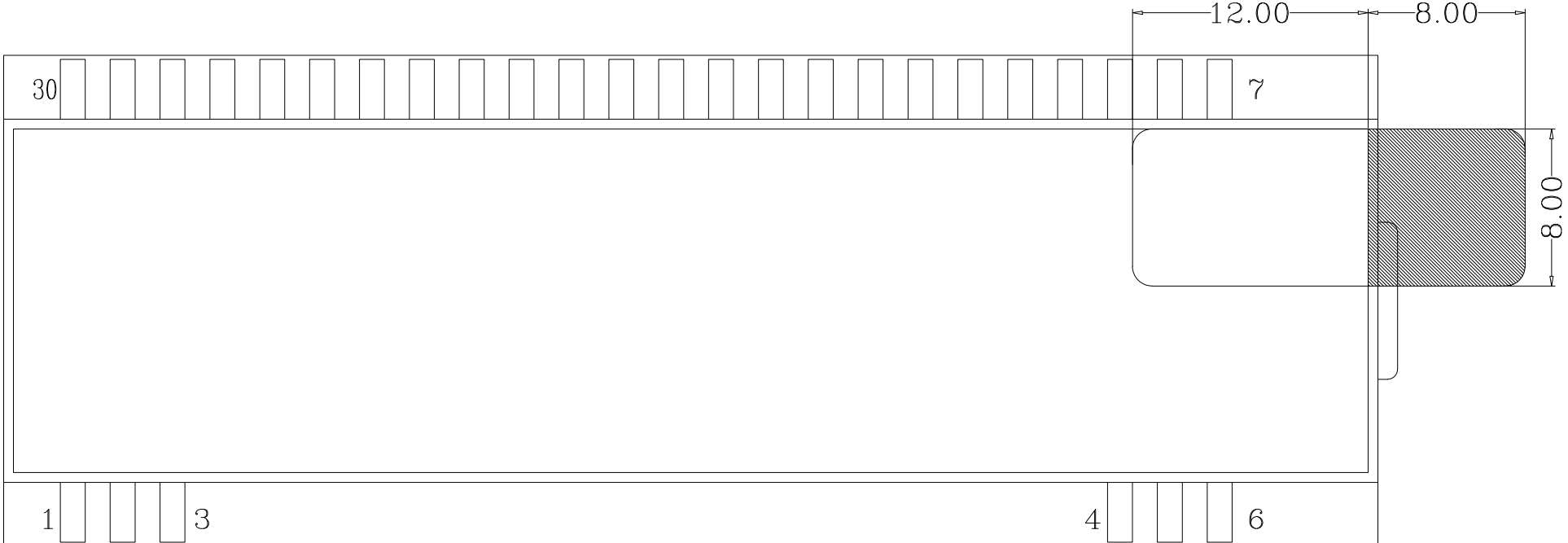
COM



XIAMEN ESHINE DISPLAY.,LTD

	SCALE	MATERIAL	FINISH	MODEL
	DR NOT ON SCALE	N/A	N/A	EDN0336-NBG
VERSION	TOLERANCE	NO.	UNIT	TITLE
A	XX +0.30 XXX +0.10	2/4	mm	LCM
DATE	APPROVED	CHECKED	DRAWN	FILE NAME
2026.04.22			LEE	E:\WORK\LCD

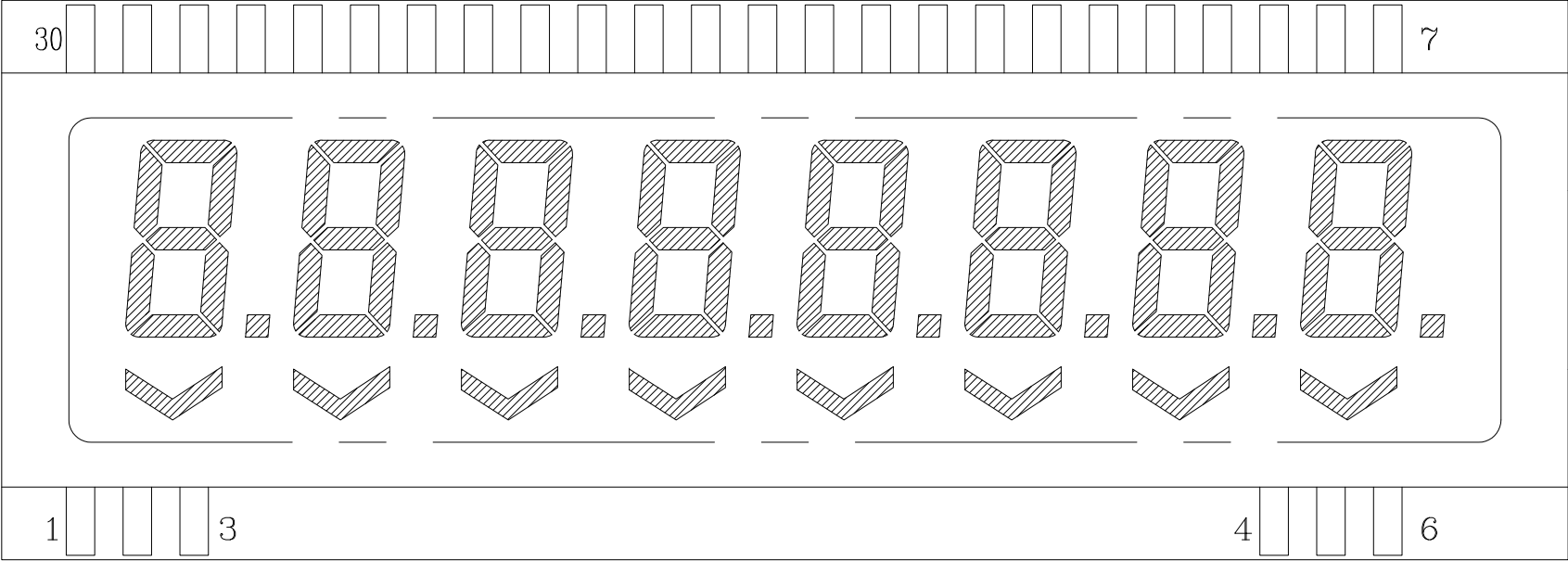
REV	DESCRIPTION:	DATE



XIAMEN ESHINE DISPLAY, LTD

	SCALE	MATERIAL	FINISH	MODEL	EDN0336-NBG
	DO NOT ON SCALE	N/A	N/A	NAME	
VERSION	TOLERANCE	NO.	UNIT	TITLE	LCM
A	XX +0.30 XXX +0.10	3/4	mm	FILE NAME	
DATE	APPROVED	CHECKED	DRAWN	E:\WORK\LCD	
2026.04.22			LEE		

REV	DESCRIPTION:	DATE



XIAMEN ESHINE DISPLAY.,LTD

	SCALE	MATERIAL	FINISH	MODEL NAME	EDN0336-NBG
	DO NOT ON SCALE	N/A	N/A	TITLE	LCM
VERSION	TOLERANCE	NO.	UNIT	FILE NAME	E:\WORK\LCD
A	XX +0.30 XX +0.10	4/4	mm	DATE	2026.04.22
DATE	APPROVED	CHECKED	DRAWN	LEE	