

Preliminary Specifications Subject to Change without Notice

DESCRIPTION

The JW[®]H5123 series are current mode monolithic buck switching regulators. Operating with an input range of 4.5V~65V, the JWH5123 series delivers 3.5A of continuous output current with an integrated high side N-Channel MOSFET. At light loads, the regulator operates in low frequency to maintain high efficiency. Current mode control provides tight load transient response and cycle-by-cycle current limit.

The JWH5123 series guarantees robustness with short-circuit protection, thermal protection, current run-away protection, and input under voltage lockout.

The JWH5123 is available in DFN4x4-10 package, the JWH5123S and JWH5123P are available in ESOP8 package, which provides a compact solution with minimal external components.

*Company's Logo is Protected, "JW" and "JOULWATT" are Registered
Trademarks of JoulWatt technology Inc.*

FEATURES

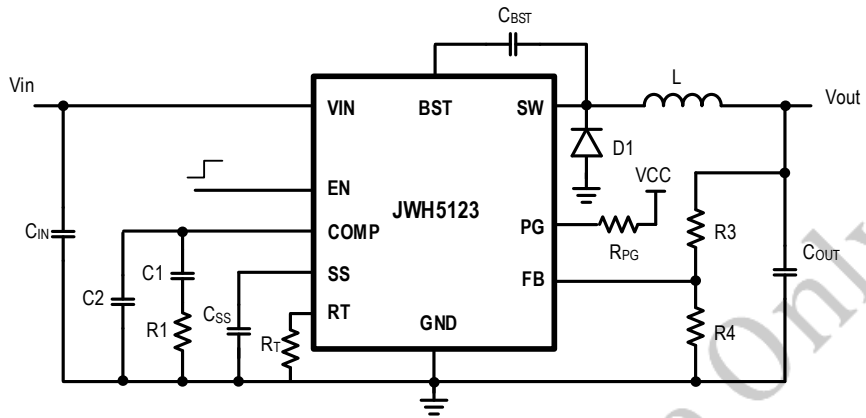
- 4.5V to 65V operating input range
3.5A output current
- 0.8V \pm 1% internal voltage reference (JWH5123)
- 0.75V \pm 1% internal voltage reference (JWH5123S/JWH5123P)
- Adjustable switching frequency
- Power Good Indicator (JWH5123/JWH5123P)
- External Soft-start (JWH5123/ JWH5123S)
- Adjustable UVLO and hysteresis
- Current run-away protection
- Short circuit protection
- Thermal protection
- Available in DFN4x4-10 package (JWH5123)
- Available in ESOP8 package(JWH5123S/ JWH5123P)

APPLICATIONS

- Industrial Automation and Motor Control
- Vehicle Accessories: GPS Entertainment
- USB Dedicated Charging Ports and Battery Chargers
- 12-V, 24-V and 48-V Industrial, Automotive and Communications Power Systems

TYPICAL APPLICATION

3.5A Step Down Regulators-JWH5123

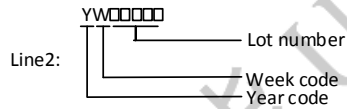
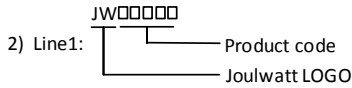
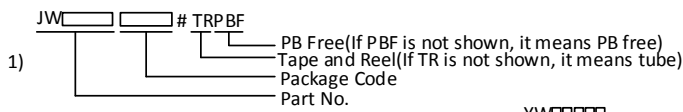


For 北京新雷能 Use Only
JoulWatt Confidential

ORDER INFORMATION

DEVICE ¹⁾	PACKAGE	TOP MARKING ²⁾	ENVIRONMENTAL ³⁾
JWH5123DFNM#TR	DFN4x4-10	JWH5123 YW□□□□□	Green
JWH5123SESOP#TRPBF	ESOP8	JWH5213S YW□□□□□	Green
JWH5123PESOP#TRPBF	ESOP8	JWH5213P YW□□□□□	Green

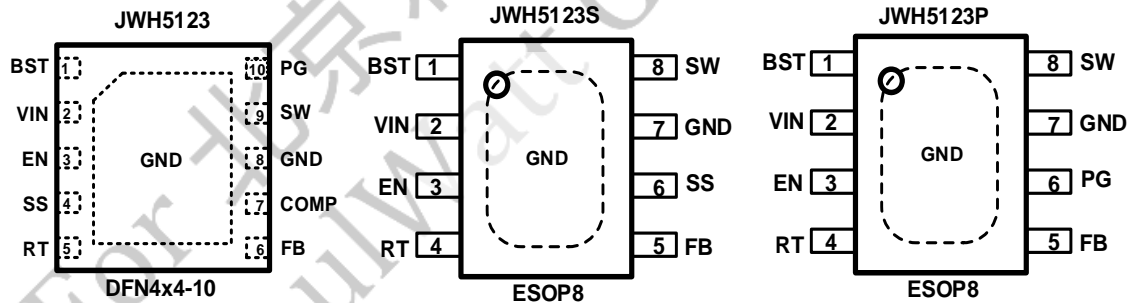
Notes:



3) All Joulwatt products are packaged with Pb-free and Halogen-free materials and compliant to RoHS standards.

PIN CONFIGURATION

TOP VIEW



ABSOLUTE MAXIMUM RATING¹⁾

VIN, SW Pin	-0.3V to 72V
SW Pin.....	-0.6V(-7V for 10ns) to 72V(74V for 20ns)
EN Pin	-0.3V to 8.4V
BST Pin	SW-0.3V to SW+6V
COMP, SS Pin.....	-0.3V to 3V
All Other Pins	-0.3V to 6V
Junction Temperature ²⁾	150°C
Lead Temperature	260°C
Storage Temperature	-65°C to +150°C
ESD Susceptibility (Human Body Model).....	2kV
ESD Susceptibility (Charged Device Model).....	500V

RECOMMENDED OPERATING CONDITIONS³⁾

Input Voltage V _{IN}	4.5V to 65V
Output Voltage V _{out}	0.8V to Dmax x VIN
Operating Junction Temperature	-40°C to 125°C

THERMAL PERFORMANCE⁴⁾

	θ_{JA}	θ_{Jc}
DFN4x4-10.....	35.1.....	2.2°C/W
ESOP8.....	42.5...	3.8°C/W

Note:

- 1) Exceeding these ratings may damage the device. These stress ratings do not imply function operation of the device at any other conditions beyond those indicated under RECOMMENDED OPERATING CONDITIONS.
- 2) The JWH5123 series includes thermal protection that is intended to protect the device in overload conditions. Continuous operation over the specified absolute maximum operating junction temperature may damage the device.
- 3) The device is not guaranteed to function outside of its operating conditions.
- 4) Measured on JESD51-7, 4-layer PCB

ELECTRICAL CHARACTERISTICS

V_{IN} = 12V, T_A = 25 °C, unless otherwise stated.

Item	Symbol	Condition	Min.	Typ.	Max.	Units
V _{IN} Under-voltage Lockout Threshold	V _{IN_MIN}	V _{IN} rising	4.1	4.3	4.49	V
V _{IN} Under-voltage Lockout Hysteresis	V _{IN_MIN_HYST}	V _{IN} falling		200		mV
Shutdown Supply Current	I _{SD}	V _{EN} =0V		4	6	μA
Supply Current	I _Q	V _{EN} =5V, V _{FB} =1V		180	230	μA
Feedback Voltage	V _{FB}	4.5V ≤ V _{IN} ≤ 65V, T _J = -40 °C ~ 125 °C JWH5123	792	800	808	mV
		4.5V ≤ V _{IN} ≤ 65V, T _J = -40 °C ~ 125 °C JWH5123S/JWH5123P	742	750	758	mV
Power Switch Resistance ⁵⁾	R _{DS(ON)}	T _J = -40 °C ~ 125 °C		97	180	mΩ
Power Switch Leakage Current	I _{LEAK}	V _{IN} =65V, V _{EN} =0V, V _{SW} =0V			6	uA
Current Limit Threshold	I _{LIM}		4.3	5.2	6.2	A
Error Amplifier Transconductance	g _M	JWH5123		335		uA/V
Error Amplifier DC Gain ⁵⁾	Gain	JWH5123		1000		V/V
Error Amplifier Source/Sink	I _{EA}	JWH5123		±37		uA
Switch Frequency	f _{SW}	R _{RT} =200k, JWH5123	370	414	456	kHz
		R _{RT} =200k JWH5123S/JWH5123P		268		kHz
Switch Frequency Range			100		2000	kHz
Minimum On Time ⁵⁾	T _{ON_MIN}			100	130	ns
Minimum Off Time	T _{OFF_MIN}	V _{FB} =0.4V		165		ns
Soft-Start Charge Current	I _{SS}	JWH5123/JWH5123S		1.8		uA
Soft-start Time ⁵⁾	T _{SS}	JWH5123P		1.6		ms
Power Good Lower Threshold	PGD _{LTH}	FB rising JWH5123/JWH5123P		93%		V _{REF}
		FB falling JWH5123/JWH5123P		90%		V _{REF}
Power Good Upper Threshold	PGD _{UTH}	FB rising JWH5123/JWH5123P		108%		V _{REF}
		FB falling JWH5123/JWH5123P		106%		V _{REF}

Power Good Sink Current	I_{PG}	$V_{PG}=0.4V@25^{\circ}C$ JWH5123/JWH5123P	0.8			mA
EN shut down threshold voltage	V_{EN_TH}	V_{EN} rising, FB=0.6V	1.1	1.22	1.34	V
EN shut down hysteresis	V_{EN_HYST}			100		mV
Thermal Shutdown ⁵⁾	T_{TSD}			170		$^{\circ}C$
Thermal Shutdown Hysteresis ⁵⁾	T_{TSD_HYST}			20		$^{\circ}C$

Note:

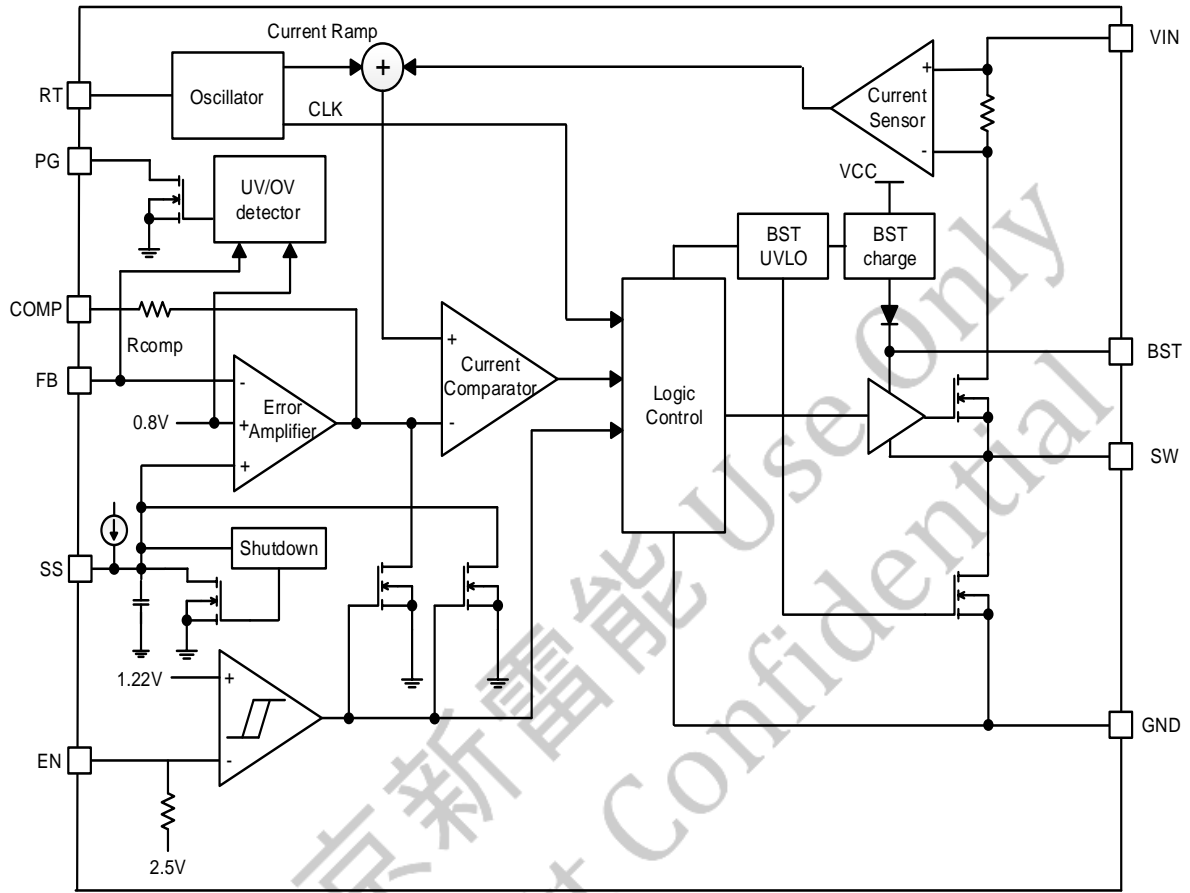
5) Guaranteed by design.

For 北京新雷能 Use Only
JoulWatt Confidential

PIN DESCRIPTION

Pin JWH5123	Pin JWH5123S	Pin JWH5123P	Name	Description
1	1	1	BST	Bootstrap pin for top switch.
2	2	2	VIN	Input voltage pin. VIN supplies power to the IC. Connect a 4.8V to 65V supply to VIN and bypass VIN to GND with a suitably large capacitor to eliminate noise on the input to the IC.
3	3	3	EN	Drive EN pin high or floating to turn on the regulator and low to turn off the regulator.
4	6		SS	Soft-start control pin. Leave floating for internal soft-start slew rate. Connect to a capacitor to extend soft start time.
5	4	4	RT	Switching frequency program. Connect an external resistor from RT pin to ground to set the switching frequency.
6	5	5	FB	Output feedback pin. FB senses the output voltage and is regulated by the control loop to 800mV. Connect a resistive divider at FB.
7			COMP	Error amplifier output and input to the output switch current (PWM) comparator. Connect frequency compensation components to this pin.
8	7	7	GND	Ground.
9	8	8	SW	SW is the switching node that supplies power to the output. Connect the output LC filter from SW to the output load.
10		6	PG	Open drain output for power-good flag. Use a 10kΩ to 100kΩ pull-up resistor to logic rail or other DC voltage no higher than 5V.
			Thermal Pad	GND pin must be electrically connected to the exposed pad on the printed circuit board for proper operation.

BLOCK DIAGRAM



FUNCTIONAL DESCRIPTION

The JWH5123 series are asynchronous, current-mode, step-down regulators. It regulates input voltages from 4.5V to 65V down to an output voltage as low as reference voltage, and is capable of supplying up to 3.5A of load current.

Power Switch

N-Channel MOSFET switch is integrated on the JWH5123 series to down convert the input voltage to the regulated output voltage. Since the top MOSFET needs a gate voltage greater than the input voltage, a boost capacitor connected between BST and SW pins is required to drive the gate of the top switch. The boost capacitor is charged by the internal 4.3V rail when SW is low.

Current-Mode Control

The JWH5123 series utilizes fixed frequency, peak current-mode control to regulate the output voltage. The output voltage is measured at the FB pin through a resistive voltage divider and the error is amplified by the internal transconductance error amplifier.

An internal oscillator initiates the turn on of the high side power switch, and the error amplifier output at the COMP pin controls the high side power switch current that when the high side MOSFET switch current reaches the threshold level set by the COMP voltage, the power switch is turned off.

The COMP voltage will increase and decrease as the output current increases and decreases. The device implements current limiting by clamping the COMP voltage to a maximum level. The PFM mode is implemented with a minimum voltage clamp on the COMP .

PFM Mode

The JWH5123 series operate in PFM mode at light load to improve efficiency by reducing switching and gate drive losses.

During PFM mode operation, the JWH5123 series sense and controls peak switch current, not the average load current. Therefore the load current at which the device enters PFM mode is dependent on the output inductor value.

Slope Compensation Output Current

The JWH5123 series add a compensating ramp to the COMP voltage to prevent sub-harmonic oscillations at duty cycles greater than 50%. The peak current limit of the high side switch will constant with duty cycle increases.

Shut-Down Mode

The JWH5123 series shut down when voltage at EN pin is below 0.3V. The entire regulator is off and the supply current consumed by the JWH5123 series drop below 4uA.

Enable and Adjustable UVLO Protection

The JWH5123 series is enabled when the VIN pin voltage rises above 4.4V and the EN pin voltage exceeds the enable threshold of 1.22V. The JWH5123 series are disabled when the VIN pin voltage falls below 4.2V or when the EN pin voltage is below 1.12V. The EN pin has an internal pull-up resistor that enables operation of the JWH5123 when the EN pin floats.

If an application requires a higher VIN under-voltage lockout (UVLO) threshold, use a resistive divider connected between VIN and ground with the central tap connected to EN to

adjust the input voltage UVLO. (Shown in Figure 1). So that when VIN rises to the pre-set value, EN rises above 1.22V to enable the device and when Vin drops below the pre-set value, EN drops below 1.12V to trigger input under voltage lockout protection.

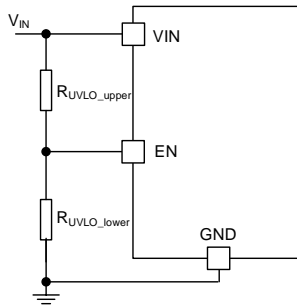


Fig. 1 Adjustable UVLO

The input voltage UVLO threshold (V_{UVLO}) and hysteresis (V_{UVLO_HYS}) can be calculated by the following equation.

$$V_{UVLO} := \frac{R_{UVLO_upper} + R_{UVLO_lower}}{R_{UVLO_lower}} \cdot V_{EN_TH}$$

$$V_{UVLO_HYS} := \frac{R_{UVLO_upper} + R_{UVLO_lower}}{R_{UVLO_lower}} \cdot V_{EN_HYS}$$

where

V_{EN_TH} is enable shutdown threshold (1.22V typ.);

V_{EN_HYS} is enable shutdown hysteresis (100mV typ.);

External Soft-start

(JWH5123/JWH5123S)

Soft-start is designed in JWH5123 and JWH5123S to prevent the converter output voltage from overshooting during startup and short-circuit recovery. An internal current source (I_{SS}) of 1.8uA is designed to charge the external soft-start capacitor (C_{SS}) and generates a soft-start (SS) voltage ramping up from 0V to 3V. When it is less than internal reference voltage (V_{REF} , typ. 0.8V), SS voltage overrides V_{REF} and

the error amplifier uses SS voltage as the reference. When SS exceeds V_{REF} , V_{REF} regains control.

The soft start time T_{SS} can be calculated by the following equation.

$$T_{SS}(ms) = \frac{C_{SS}(nF) \cdot V_{REF}(V)}{I_{SS}(uA)}$$

Switching Frequency

The switching frequency of JWH5123 series can be programmed by the resistor R_T from the RT pin and GND pin over a wide range from 100 kHz to 2000 kHz. The RT pin voltage is typically 1.2V and must have a resistor to ground to set the switching frequency. The R_T resistance can be calculated by the following equation for a given switching frequency f_{sw} .

$$R_T(K\Omega) = \frac{92417}{f_{sw}(KHz)} - 23 \quad \text{for JWH5123}$$

$$R_T(K\Omega) = \frac{57209}{f_{sw}(KHz)} - 15 \quad \text{---JWH5123S/JWH5123P}$$

To reduce the solution size one would typically set the switching frequency as high as possible, but tradeoffs of the conversion efficiency, maximum input voltage and minimum controllable on time should be considered. The minimum controllable on time is typically 100 ns which limit the maximum operating frequency in applications with high input to output step down ratios.

Power Good

(JWH5123/JWH5123P)

The JWH5123 and JW5123P has power-good (PG) output. The PG pin is the open drain of a MOSFET. Connect to a voltage source (such as V_{OUT}) through a resistor. When the output voltage becomes within +6% and -7% of the target value, internal comparators detect power good state and the power good signal becomes

high. If the feedback voltage goes under -10% or higher +8% of the target value, the power good signal becomes low.

Over Current / Output Short Protection

To protect the converter in overload conditions at higher switching frequencies and input voltages, the JWH5123 series implements a frequency fold-back. The oscillator frequency is divided by 4 as the FB voltage drops from reference voltage to below 0.35V. When the FB voltage rise above 0.4V, the frequency exist fold-back state. The oscillator frequency is divided by 8 as the FB voltage drops to 0.18V. When the FB voltage rise above 0.2V, the frequency exist fold-back state.

When the output voltage is forced low by the shorted load, the inductor current decreases slowly during the switch off time. The frequency fold-back effectively increases the off time by increasing the period of the switching cycle providing more time for the inductor current to ramp down.

The frequency fold-back effectively increases the off time by increasing the period of the switching cycle providing more time for the inductor current to ramp down. The maximum frequency fold-back ratio is 8.

If the power FET current rises above the current limit by 1.5A, the oscillator frequency is divided by 2^X ($X=0, 1, 2, \dots, 7$) in a minimum detection time.

Once the power FET is turned off by the current limit instead of minimum on time, the frequency exist fold-back state. With a maximum frequency fold-back ratio of 128, there is a maximum frequency at which the inductor current can be controlled by frequency fold-back protection.

RT Short Protection

If the RT pin is detected to be short to ground, JWH5123 series are not allowed to switch to prevent abnormal operation state. The regulator can be reactivated again when the short condition at the RT pin is removed.

Overvoltage Protection

Output overvoltage protection (OVP) is designed in JWH5123 series to minimize voltage overshoot when recovering from output fault conditions or strong unload transients in designs with low output capacitance and the power supply output voltage increase faster than the response of the error amplifier output resulting in an output overshoot.

The OVP feature minimizes output overshoot when using a low value output capacitor by comparing the FB pin voltage to the rising OVP threshold which is nominally 108% of the internal voltage reference. If the FB pin voltage is greater than the rising OVP threshold, the high side MOSFET is immediately disabled to minimize output overshoot. When the FB voltage drops below the falling OVP threshold which is nominally 106% of the internal voltage reference, the high side MOSFET resumes normal operation.

Thermal Protection

When the temperature of the JWH5123 series rises above 170°C, it is forced into thermal shut-down.

Only when core temperature drops below 150°C can the regulator becomes active again.

PACKAGE OUTLINE

DFN4x4-10 UNIT: mm

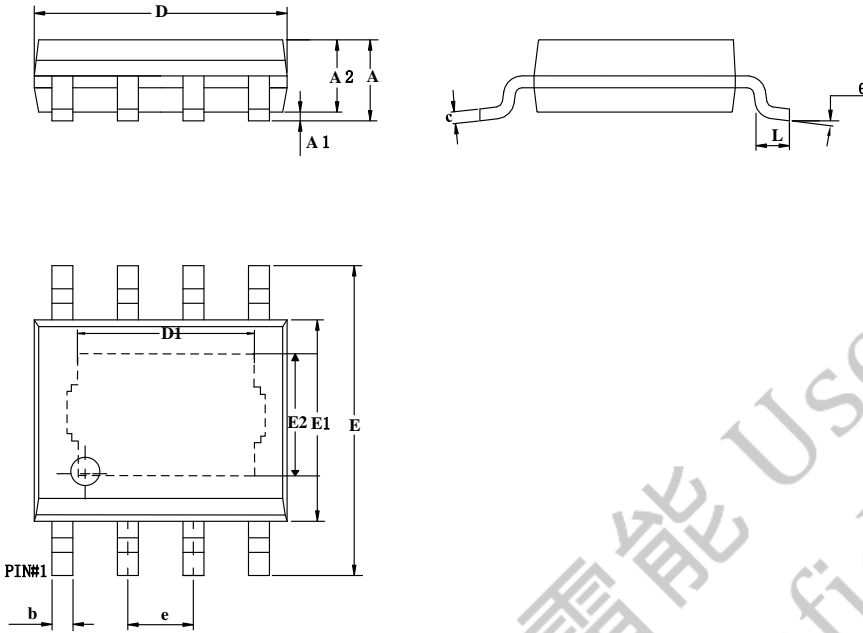
SYMBOL	MILLIMETER		
	MIN	NOM	MAX
A	0.70	0.75	0.80
A1	0.00	0.02	0.05
A3	0.203REF		
D	4.00BSC		
E	4.00BSC		
D1	2.90	3.00	3.10
E1	2.50	2.60	2.70
k	0.30REF		
b	0.25	0.30	0.35
e	0.80BCS		
L	0.30	0.40	0.50

QUADRANT ASSIGNMENTS FOR PIN 1 ORIENTATION IN TAPAE

Package Type	Pin1 Quadrant
DFN4x4-10	1

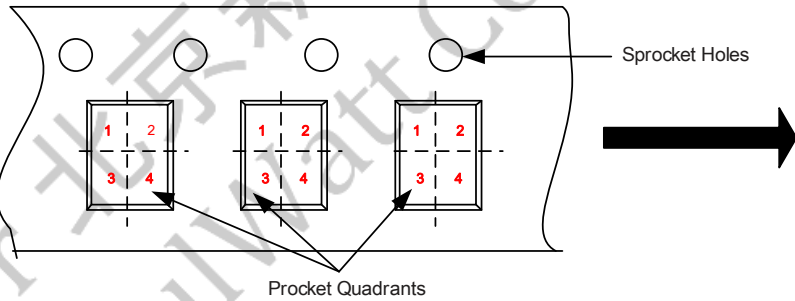
ESOP8

UNIT: mm



Symbol	MILLIMETER		
	MIN	NOM	MAX
A	1.30	—	1.70
A1	0.00	—	0.10
A2	1.35	—	1.60
b	0.33	—	0.51
c	0.17	—	0.25
D	4.70	—	5.10
E	5.80	6.00	6.20
E1	3.75	3.90	4.15
D1	3.05	—	3.40
E2	2.16	—	2.50
e	1.27BSC		
L	0.40	—	1.27
θ	0°	—	8°

QUADRANT ASSIGNMENTS FOR PIN 1 ORIENTATION IN TAPAE



Package Type	Pin1 Quadrant
ESOP8	1

IMPORTANT NOTICE

- Joulwatt Technology Inc. reserves the right to make modifications, enhancements, improvements, corrections or other changes without further notice to this document and any product described herein.
- Any unauthorized redistribution or copy of this document for any purpose is strictly forbidden.
- Joulwatt Technology Inc. does not warrant or accept any liability whatsoever in respect of any products purchased through unauthorized sales channel.

For 北京新雷能 Use Only
JoulWatt Confidential

Copyright © 2020 JWH5123 Incorporated.

All rights are reserved by Joulwatt Technology Inc.