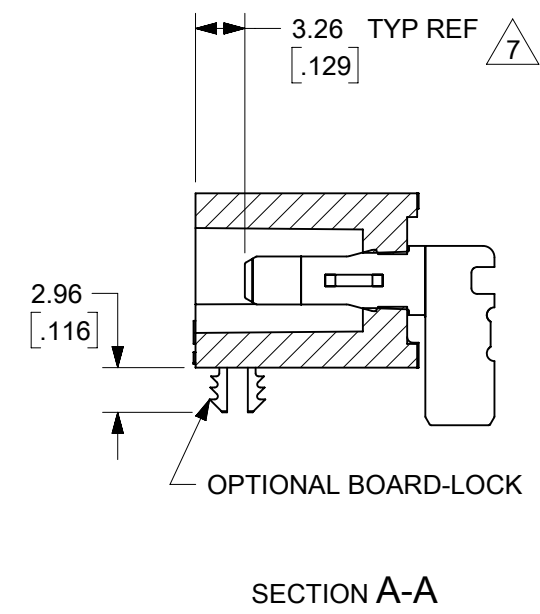
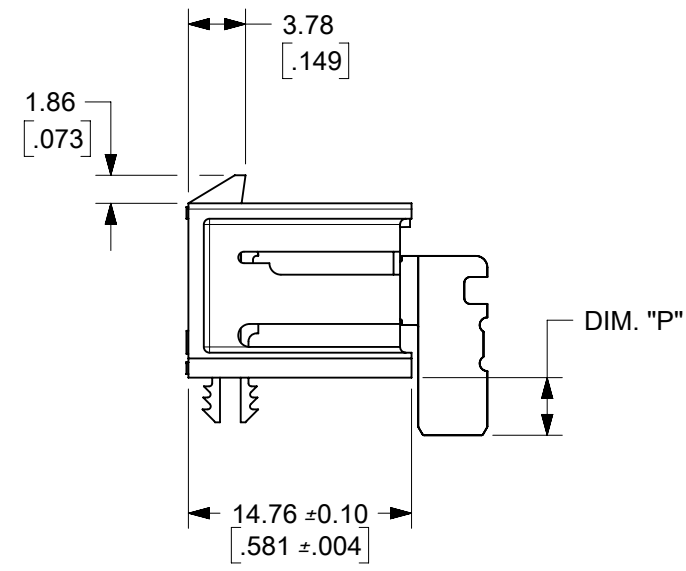
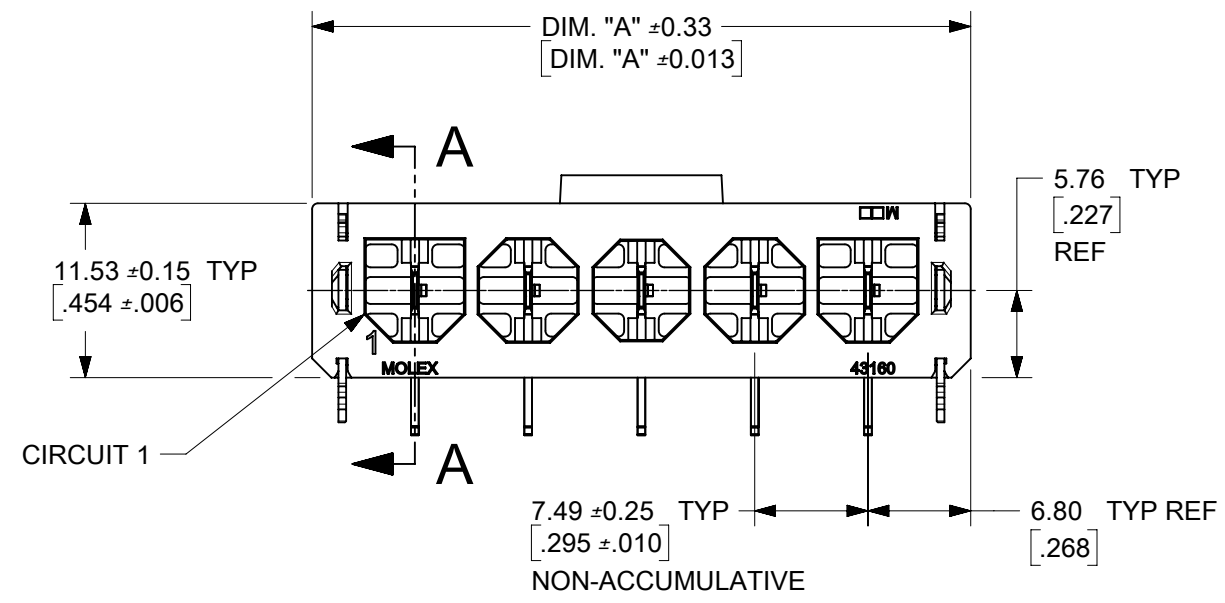
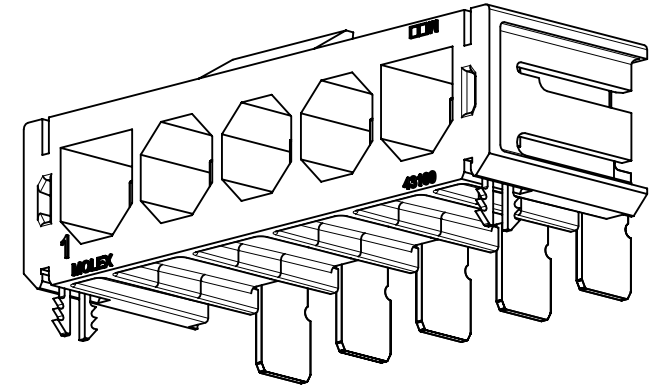
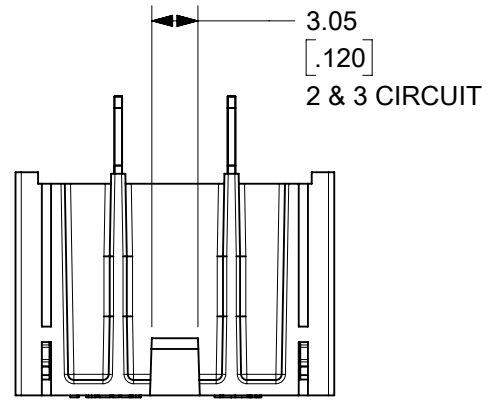
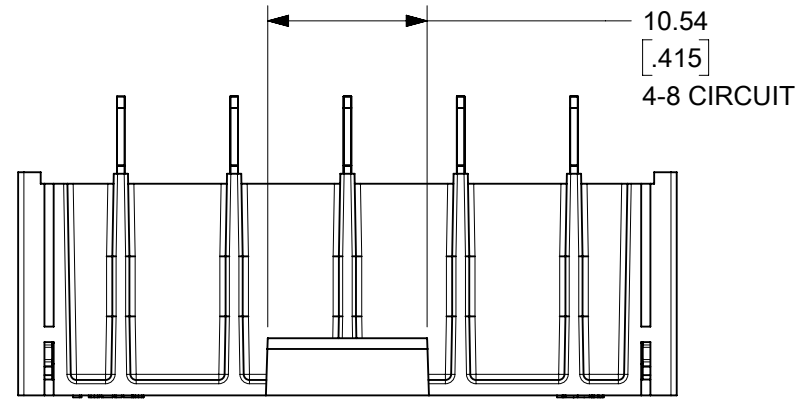


CIRCUIT SIZE	DIM. "A"
2	$\frac{21.08}{.830}$
3	$\frac{28.58}{1.125}$
4	$\frac{36.07}{1.420}$
5	$\frac{43.56}{1.715}$
6	$\frac{51.05}{2.010}$
8	$\frac{66.04}{2.600}$

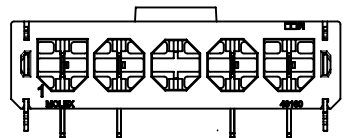


- NOTES:
- MATERIALS  
HOUSING: GLASS-FILLED, LIQUID CRYSTAL POLYMER (LCP), UL94V-0, LOW-HALOGEN, GLOW-WIRE CAPABLE, COLOR: BLACK  
TERMINALS: ETP COPPER
  - FINISHES:  
0.00254/.000100 MIN SELECT SILVER AND 0.00254/.000100 MIN SELECT MATTE TIN OVER NICKEL OVERALL
  - PRODUCT SPECIFICATION: PS-171825-001
  - PACKAGING INFORMATION: PK-43789-001 (TRAY PACK)
  - MATES WITH:  
171825 FEMALE CRIMP TERMINALS  
172672 RECEPTACLE HOUSINGS
  - THIS PART CONFORMS TO CLASS B REQUIREMENTS OF COSMETIC SPEC PS-45499-002.
  - HEADERS ARE DESIGNED TO MINIMIZE ACCESSIBILITY TO LIVE PARTS, PER UL 1977 AND UL 60950 FINGER PROBE REQUIREMENTS.
  - SLOTTED VIAS, PLATED THRU. MOLEX RECOMMENDS ANNULAR RING DESIGN PARAMETERS AS SPECIFIED IN IPC-2221, GENERIC STANDARD ON PRINTED BOARD DESIGN.
  - 3.00/1.18 MOUNTING-HOLES (NON-PLATED) FOR OPTIONAL BOARD-LOCKS SHOWN.

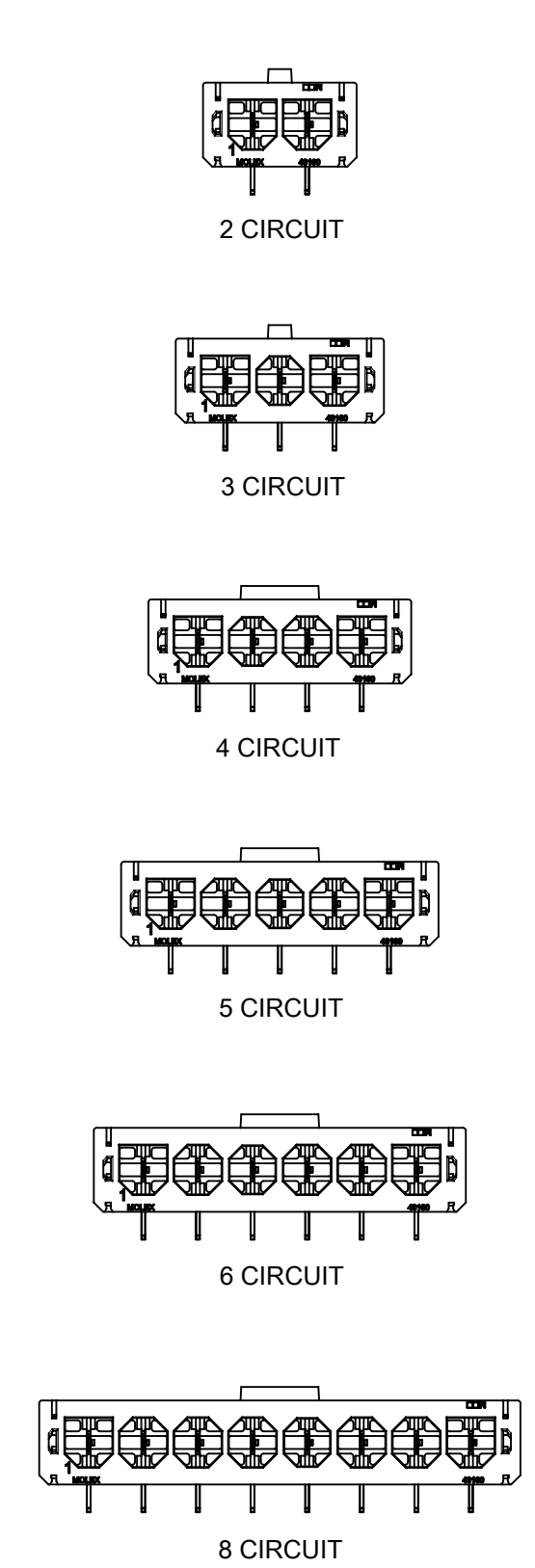
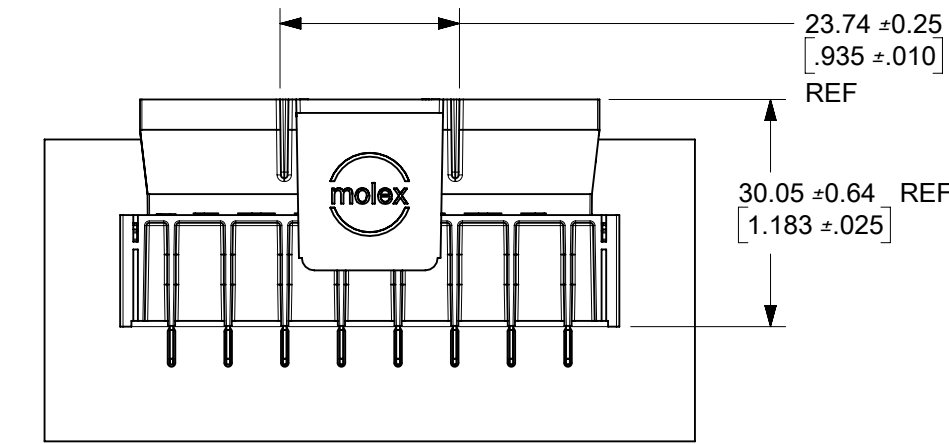
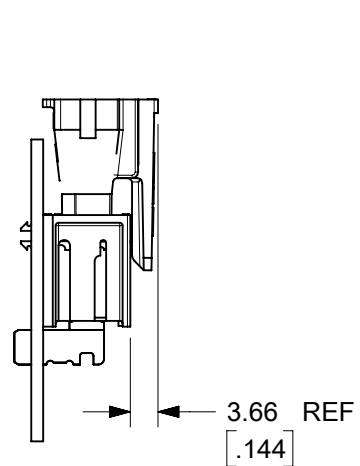
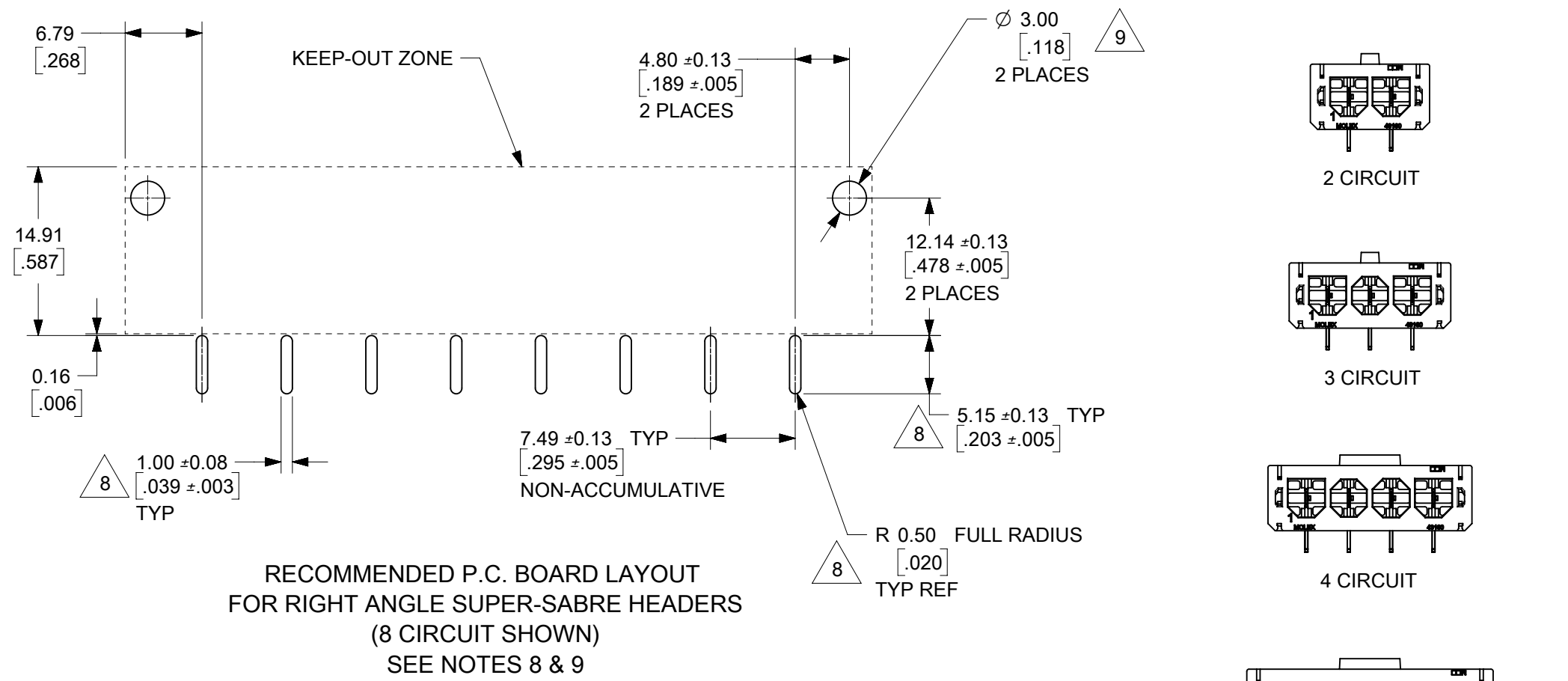
THIS DRAWING CONTAINS INFORMATION THAT IS PROPRIETARY TO MOLEX ELECTRONIC TECHNOLOGIES, LLC AND SHOULD NOT BE USED WITHOUT WRITTEN PERMISSION									
FUNCTIONAL SYMBOLS	DIMENSION UNITS		SCALE		CURRENT REV DESC:				
$\frac{E}{A} = 0$	MM/INCH		2:1		EC NO: 789838 DRWN: PRADIK1 2024/03/08 CHKD: PRADIK1 2024/06/19 APPR: ISHWARG 2024/06/19 INITIAL REVISION: DRWN: BANDERSON 2013/06/21 APPR: BANDERSON 2013/06/25				
$\frac{E}{E} = 0$	GENERAL TOLERANCES (UNLESS SPECIFIED)								
$\frac{E}{D} = 0$		MM	INCH						
DIVISIONAL SYMBOLS	4 PLACES	±		±					
	3 PLACES	±		± 0.005					
	2 PLACES	±	0.13	± 0.01					
	1 PLACE	±	0.25	±					
	0 PLACES	±		±					
	ANGULAR TOL		± 0.5°		PRODUCT CUSTOMER DRAWING DOCUMENT NUMBER: SD-172043-001 DOC TYPE: PSD DOC PART: 001 REVISION: C3				
DRAFT WHERE APPLICABLE MUST REMAIN WITHIN DIMENSIONS			THIRD ANGLE PROJECTION		DRAWING		SERIES		SHEET NUMBER
			B-SIZE		172043		SEE CHART		GENERAL MARKET 1 OF 2

ASSEMBLY PART NO.	CIRCUITS	DIM. 'P' ± $\frac{0.51}{.020}$	BOARD LOCK
172043-0201	2	3.81/(.150) (SHORT TAIL)	NO
172043-0301	3		
172043-0401	4		
172043-0501	5		
172043-0601	6		
172043-0801	8		
172043-0202	2	3.81/(.150) (SHORT TAIL)	YES
172043-0302	3		
172043-0402	4		
172043-0502	5		
172043-0602	6		
172043-0802	8		
172043-0205	2	5.33/(.210) (LONG TAIL)	NO
172043-0305	3		
172043-0405	4		
172043-0505	5		
172043-0605	6		
172043-0805	8		
172043-0206	2	5.33/(.210) (LONG TAIL)	YES
172043-0306	3		
172043-0406	4		
172043-0506	5		
172043-0606	6		
172043-0806	8		
172043-0209	2	2.70/(.106) (EXTRA SHORT)	YES

ASSEMBLY PART NO.	CIRCUITS	DIM. 'P' ± $\frac{0.51}{.020}$	BOARD LOCK	VOIDED CIRCUITS
172043-0512	5	3.81/(.150) (SHORT TAIL)	YES	3



5 CIRCUIT, CIRCUIT 3 VOIDED



FUNCTIONAL SYMBOLS FA = 0 FE = 0 FD = 0	THIS DRAWING CONTAINS INFORMATION THAT IS PROPRIETARY TO MOLEX ELECTRONIC TECHNOLOGIES, LLC AND SHOULD NOT BE USED WITHOUT WRITTEN PERMISSION		CURRENT REV DESC:	
	DIMENSION UNITS	SCALE	EC NO: 789838	
	MM/INCH	1:1	DRWN: PRADIK1	2024/03/08
	GENERAL TOLERANCES (UNLESS SPECIFIED)		CHKD: PRADIK1	2024/06/19
DIVISIONAL SYMBOLS	4 PLACES	±	±	APPR: ISHWARG
	3 PLACES	±	± 0.005	INITIAL REVISION:
	2 PLACES	± 0.13	± 0.01	DRWN: BANDERSON
	1 PLACE	± 0.25	±	APPR: BANDERSON
0 PLACES	±	±	±	2013/06/21
ANGULAR TOL	± 0.5°	THIRD ANGLE PROJECTION		2013/06/25
DRAFT WHERE APPLICABLE MUST REMAIN WITHIN DIMENSIONS		DRAWING	SERIES	MATERIAL NUMBER
		B-SIZE	172043	SEE CHART
		CUSTOMER	GENERAL MARKET	
		DOCUMENT NUMBER		REVISION
		SD-172043-001		C3
		CUSTOMER		SHEET NUMBER
		GENERAL MARKET		2 OF 2